



SP012

Standard/Hummer/Sprinter

Two Post Surface Mounted Swing Arm Frame Engaging Lift

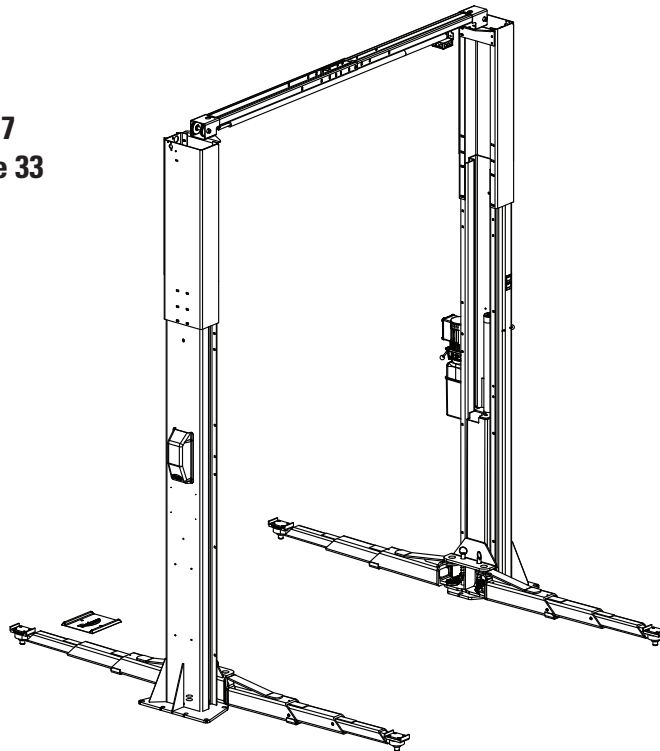
Includes Shockwave™ Models

Standard (700 Series) Capacity: 12,000 lbs.

Hummer (7W0 Series) Capacity: 12,000 lbs.

Sprinter (7A0 Series) Capacity: 9,000 lbs.

Español Página 17
Le Français La page 33



P
A
R
T
S

B
R
E
A
K
D
O
W
N

IMPORTANT: When ordering parts or requesting service always give exact model and power unit serial number. Model number is shown on nameplate attached to power unit column. Power unit serial number is located on side of power unit.

OWNERS RECORD
Complete information
at right and keep in
a safe place.

Date Installed _____

Installed in Bay # _____

Power Unit Serial # _____

Power Unit Model # _____

Lift Serial # _____

Lift Model # _____

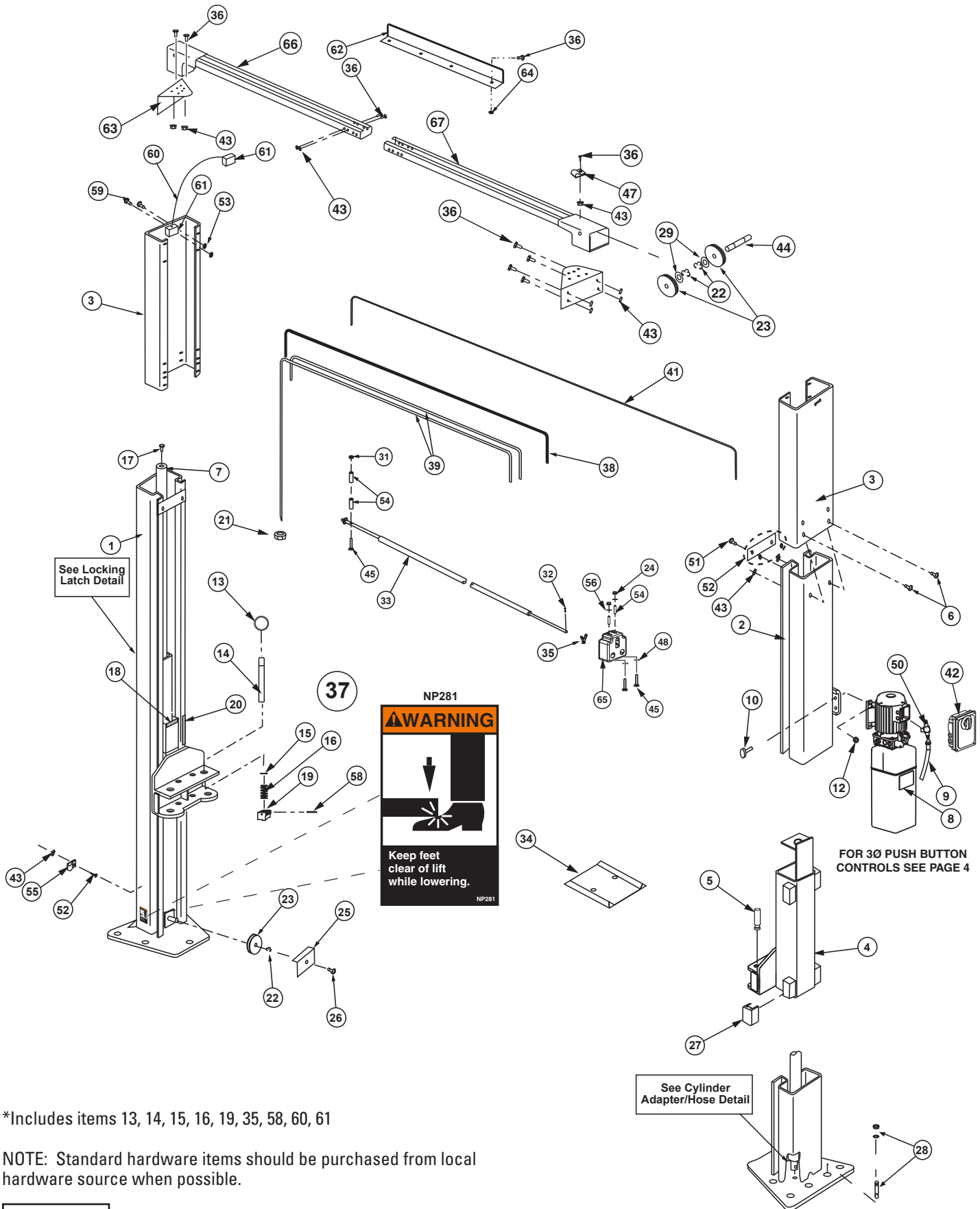
NOTE: For replacement parts -See your nearest Rotary Parts Distributor.



1	L.H. Column Weldment	N754
2	R.H. Column Weldment	N757
3	Column Extension	
	Low Ceiling MODEL (700/7A0/7T0 Series)	N495
	Std Height MODEL (700/7A0/7T0 Series)	N477
	EH-1 MODEL (ALL 7XX Series)	N478
	EH-2 MODEL (ALL 7XX Series)	N479
	EH-3 MODEL (ALL 7XX Series)	N4116
4	Carriage Yoke Weldment	N826
5	Arm Pin	N2154
6	3/8"-16NC x 1" Carriage Bolt	N/A
7	Hydraulic Cylinder	
	68" Rise	N380
	71" Rise	N382
8	Power Unit	
	SINGLE PHASE	P3391
	SINGLE PHASE 50Hz.	P3575
	4 HP SINGLE PHASE	P3500
	THREE PHASE	P3395
	575 Volt	P3360
9	Power Unit Hose	FJ837
10	5/16"-18NC x 1-1/2" Flanged HHCS	40509
11	NA	NA
12	5/16"-18NC Hex Flanged Lock Nut	40678
13	Actuator Pin Handle	FJ7985-1
14	Actuator Pin	N121-1
15	Retaining Pin	N119-3
16	Arm Restraint Spring	FJ7656-2
17	Bleeder Screw (Specify Manufacturer)	2REQ'D
18	Carriage Bumper	FJ7391-2
19	Arm Restraint Panel	N2121
20	Approach Bumper (door-18" Lg-2 req'd)	FJ7391-1
21	5/8"-11NC Hex Nylon Insert Locknut	40743
22	Truarc #5304-75 Klipring for 3/4" Shaft	41411
23	Sheave	N417-1
24	1/4"-20NC Zinc Hex Nut	40627
25	Sheave Cover	N119-1
26	1/4"-20NC x 3/8" Lg. PHMS Plated (2 pcs.)	40063
27	Slider block	FJ7360
28	3/4" Concrete Anchor (14 req'd)	FJ7380
29	1-1/2" O.D. x .760-.770" I.D. x .045" Bushing	41388
30	N/A	N/A
31	1/4"-20NC Insert Locknut	41423
32	1/8" x 1" Lg. Cotter Pin (3Ø Only)	41200
33a	Switch Bar Assembly 1Ø / 3Ø w/ Push Button	N467
	Switch Bar Assembly 3Ø	N434
33b	Switch Bar Assy (7W0 Series) 1Ø / 3Ø w/ Push Button	N464
	Switch Bar Assembly (7W0 Series) 3Ø	N466
34	Spotting Wheel Dish Kit	FF729
35	Actuator Assembly (3Ø Only)	N432-5
36	3/8"-16 NC x 3/4" Long Flanged HHCS	40124

37*	Arm Restraint Kit (1 arm)	*N2148
38	Overhead Hose	
	Low Ceiling MODEL (700/7A0/7T0 Series)	FJ839
	Standard Height MODEL (700/7A0/7T0 Series)	FJ843
	EH-1 MODEL (ALL 7XX Series)	FJ844
	EH-2 MODEL (ALL 7XX Series)	FJ845
	EH-3 MODEL (ALL 7XX Series)	N3159
39	Equalizer Cables	
	Low Ceiling MODEL (700/7A0/7T0 Series)	N390
	Standard Height (700/7A0/7T0 Series)	N387
	EH-1 MODEL (ALL 7XX Series)	N388
	EH-2 MODEL (ALL 7XX Series)	N389
	EH-3 MODEL (ALL 7XX Series)	N3158
40	N/A	N/A
41	Locking Latch Cable	
	Standard	FJ7600
	EH-3 MODEL (ALL 7XX Series)	N629
42	Capacitor Box	FA7147-1
	Capacitor Box Cover Plate	FA7366-1
	Drum Switch	FA7364
	Drum Switch Lever	FA7364-1
	M5 x 45 PHMS, Plated	41672
	43	3/8"-16NC Flanged Locknut
44	Sheave Shaft	FJ7444-8
45	1/4"-20NC x 2-3/4" HHCS Grade 5	40114
46	Latch Cable Guide	N69
47	Hose Clip	N383
48	1/4" Flat Washer	40795
49	5/16"-18NC x 3/8" PHMS (6 req'd-Column)	40227
50	Branch Tee	FJ7668
51	3/8"-16NC x 2-1/2" Lg. Carriage Bolt	40183
52	Tie Bar Kit	N1243
	Tie Bar	N1243-1
	Spacer	N1162-2
53	1/4"-20NC Flanged Locknut	40641
54	3/4" Spacer	FJ7871
55	3/8"-16NC x 3/4" Lg. Carriage Bolt	40696
56	1/4" External Tooth Lockwasher	40779
57	3/8" External Tooth Lockwasher	40845
58	Spring Pin-1/4" dia. x 1-1/2" Lg. (Stainless)	14427
59	1/4"-20NC x 1" HHCS Grade 5	40108
60	Cable Guide	N618
61	Cable End Bracket	N619
62	Stiffener Angle (700/7A0/7T0 Series)	N417-3
	Stiffener Angle (7W0 Series)	N463
63	Column Mounting Bracket	N440
64	3/8"-16NC Flanged Locknut	40664
65	1Ø Limit Switch Assembly	N413
	3Ø Limit Switch Assembly	N412
66	L.H. Overhead Weldment (Outer)	
	(700/7A0/7T0 Series)	N480-1
	(7W0 Series)	N493-1
67	R.H. Overhead Weldment (Inner)	
	(700/7A0/7T0 Series)	N481-1
	(7W0 Series)	N494-1

SP012 700 Series

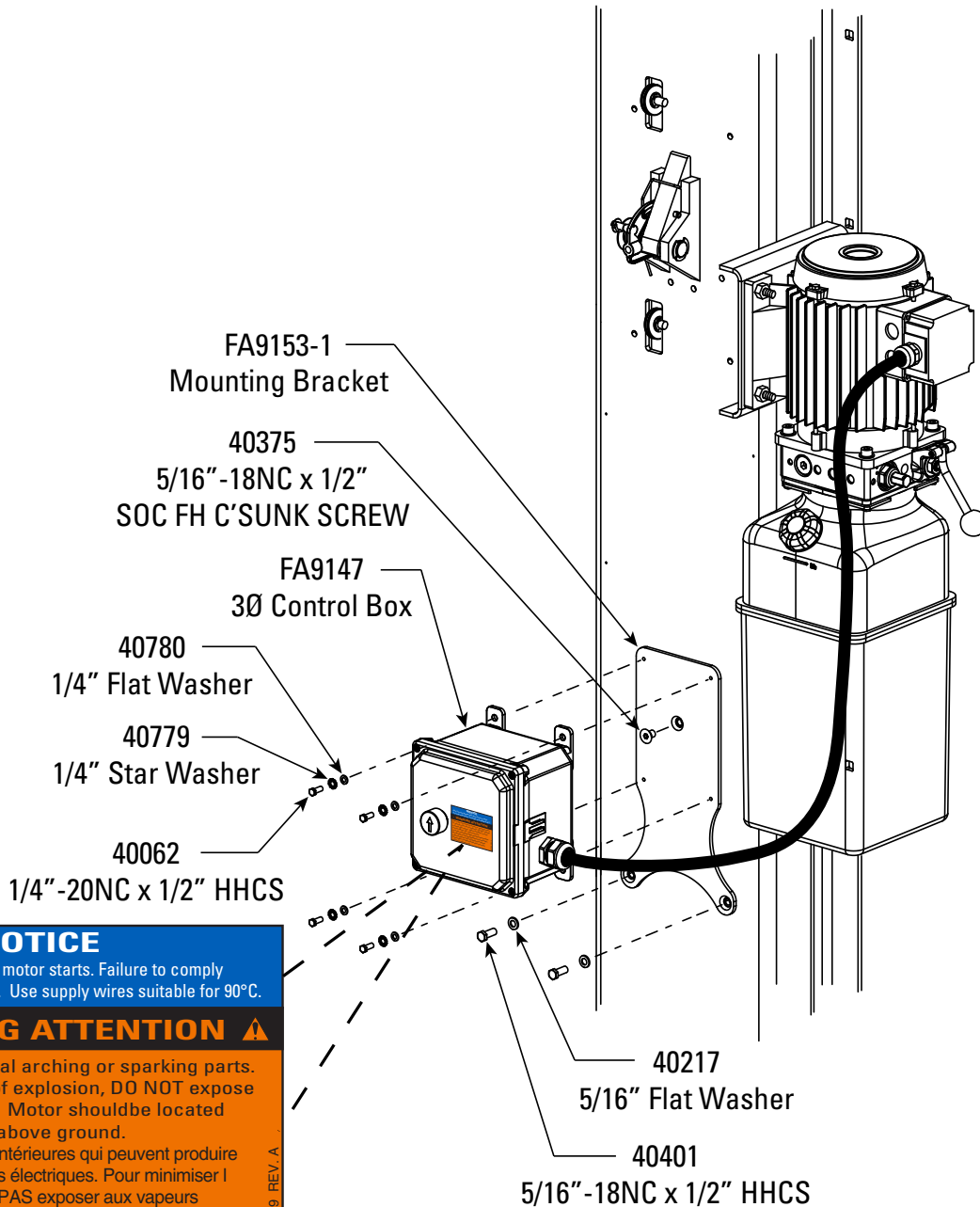


*Includes items 13, 14, 15, 16, 19, 35, 58, 60, 61

NOTE: Standard hardware items should be purchased from local hardware source when possible.

CAUTION Care should be taken to use hardware equal to that specified in this listing. (If grade is not specified, use Grade 2 minimum.)

3Ø POWER UNIT



NOTICE

Allow 2 seconds between motor starts. Failure to comply may cause motor burnout. Use supply wires suitable for 90°C.

⚠ WARNING ATTENTION ⚠

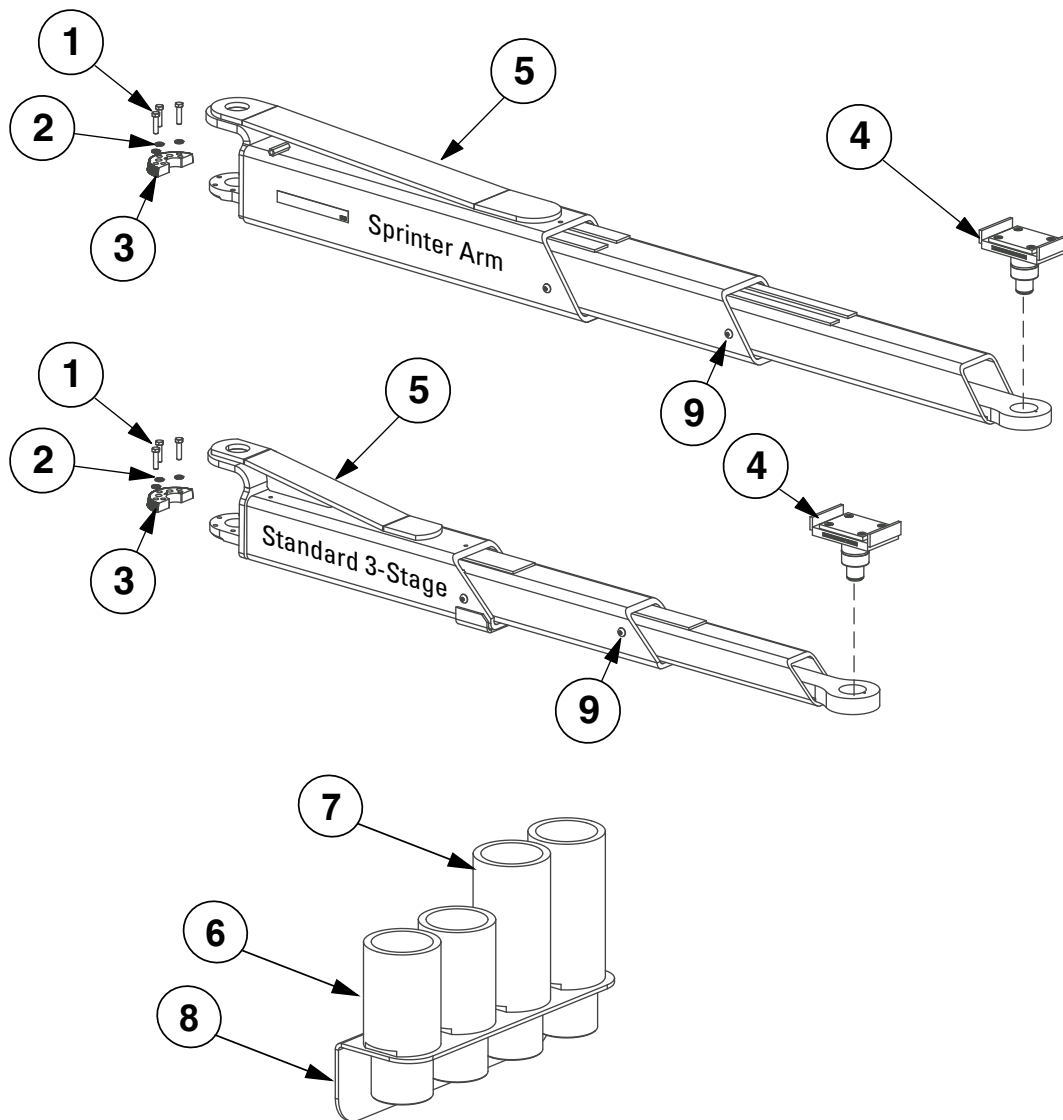
This motor has internal arcing or sparking parts. To minimize the risk of explosion, DO NOT expose to flammable vapors. Motor should be located at least 480mm (18") above ground.

Ce moteur a des pièces intérieures qui peuvent produire des étincelles ou des arcs électriques. Pour minimiser le risque d'explosion, NE PAS exposer aux vapeurs inflammables. Le moteur doit être situé à au moins 460 mm (18 pouces) du sol.

NP1169 REV. A

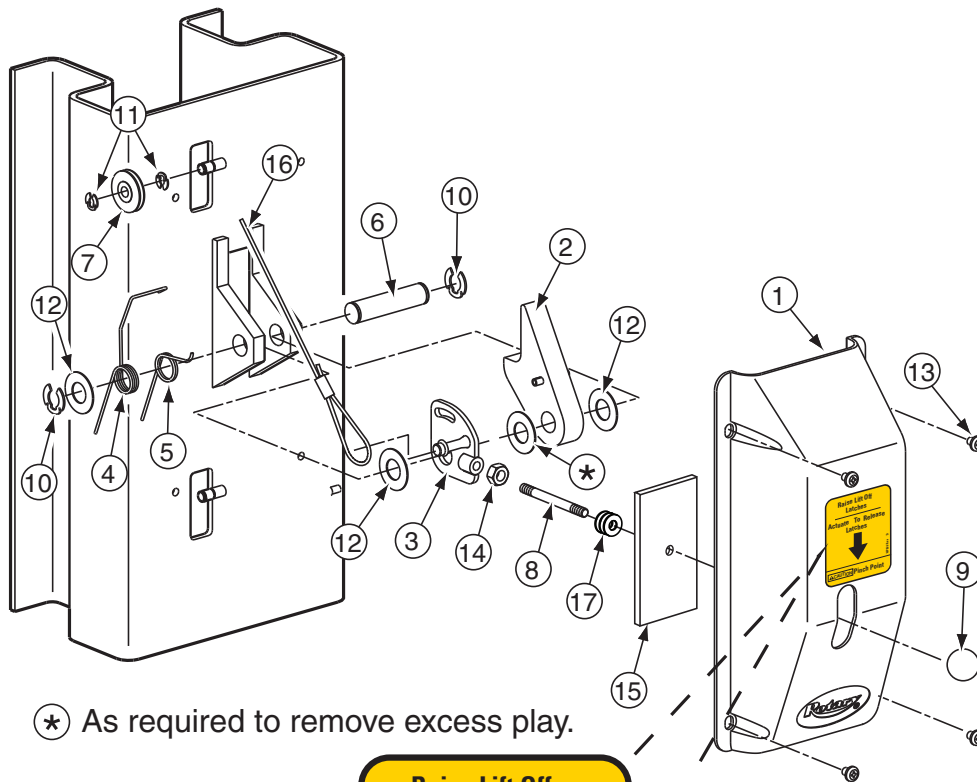
FA9147 Includes Items:	
FA9147-1	3Ø Control Box Enclosure with Gasket
FA9147-2	25 AMP Contactor, 3 Pole with 480 Volt Coil GE CR553AB3CAA
FA9147-6	Contactor Coil DB1AB 208-240 Volt for Contactor GE CR553A
FA9147-8	Switch Momentary Push Button with Contact Block
FA9147-9	Cord 600 Volt 4-Wire 42" Long with Ring Terminals
FA9147-12	550-600 Volt Coil GE Pin PB1AD for 575 Volt Lifts Only
NP1169	Motor Starter Decal

Sprinter 7A0 Series/Hummer 7W0 Series/3 Stage 7T0 Series

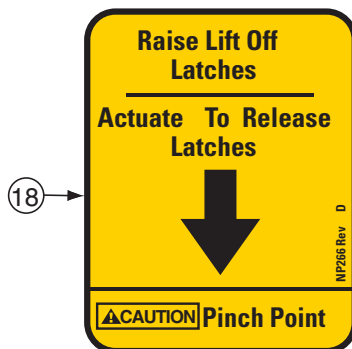


- | | | |
|----|---|----------|
| 1. | 3/8"-16NC x 1-1/2" HHCS Grade 5..... | 40200 |
| 2. | 3/8" Spring Washers | 40818 |
| 3. | Restraint Gear | N2122 |
| 4. | Adapter..... | FJ6214 |
| 5. | Arm | |
| | 7A0 Series (Sprinter Arm)..... | N2272 |
| | 7T0 Series (Standard 3-Stage Arm) | N2273 |
| | 7W0 Series (Standard 3-Stage Arm) | N2273 |
| 6. | 3-1/2" (90mm) Adapter Extension | FJ6171-1 |
| 7. | 5-1/4" (130mm) Adapter Extension | FJ6171-2 |
| 8. | Adapter Rack..... | FJ6127 |
| 9. | Stop Bolt..... | N2264-15 |

Locking Latch Detail (Right Column)

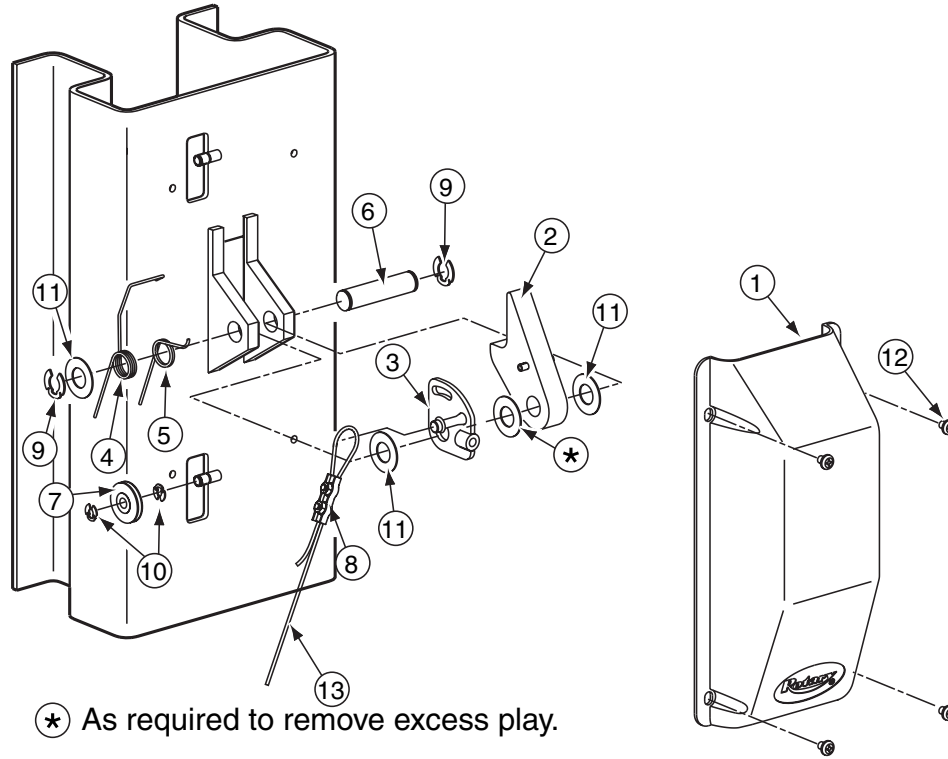


⊛ As required to remove excess play.



ITEM	DESCRIPTION	PART#
1.	Control Side Cover	FJ7452
2.	Locking Latch Dog	N616
3.	Control Plate	FJ7594-2
4.	Spring.....	FJ7566-10
5.	Spring.....	FJ7382-9
6.	Latch Shaft.....	FJ7382-34
7.	Locking Latch Sheave.....	FJ7322
8.	Handle.....	FJ7382-18
9.	Ball Handle.....	FC134-91
10.	Truarc Klipring #5304-75 for 3/4" Shaft.....	41411
11.	Truarc Klipring #5304-37 for 3/8" Shaft.....	41410
12.	1-1/2" O.D. x 3/4" I.D. x .045" Mach. Bush.....	41388
13.	5/16"-18NC x 3/8" Lg. PHMS.....	40227
14.	3/8" - 16NC Hex Jam Nut.....	40658
15.	Slot Cover.....	N617
16.	Locking Latch Cable	FJ7600
17.	3/8" Flat Washer	40820
18.	Locking Latch Decal.....	NP266

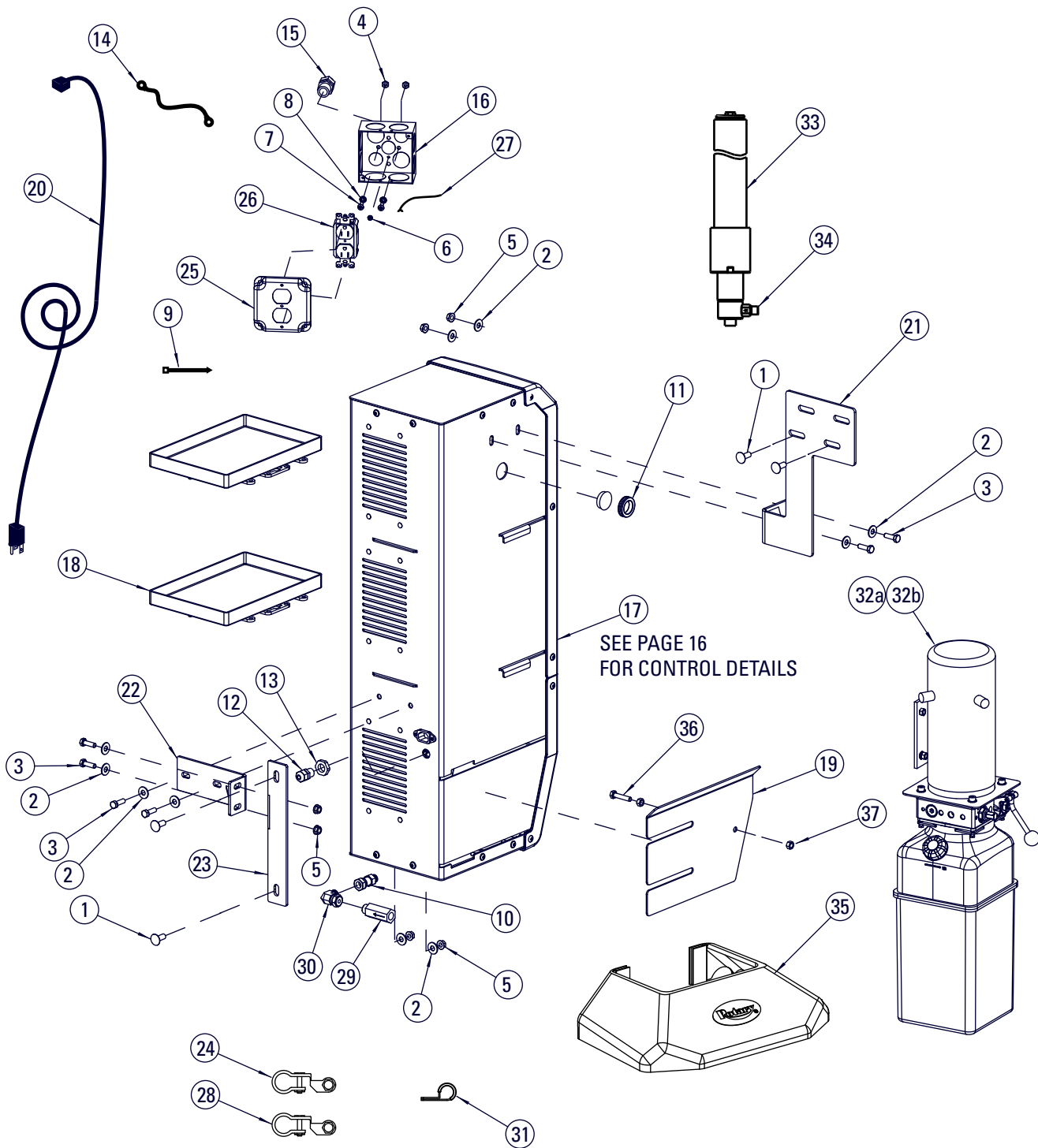
Locking Latch Detail (Left Column)



⊛ As required to remove excess play.

ITEM	DESCRIPTION	PART#
1.	Latch Cover	FJ7451
2.	Locking Latch Dog	N615
3.	Control Plate	FJ7594-2
4.	Spring.....	FJ7566-10
5.	Spring.....	FJ7382-9
6.	Latch Shaft.....	FJ7382-34
7.	Locking Latch Sheave	FJ7322
8.	Latch Cable Clamp.....	N63-1
9.	Truarc Klipring #5304-75 for 3/4" Shaft.....	41411
10.	Truarc Klipring #5304-37 for 3/8" Shaft.....	41410
11.	1-1/2" O.D. x 3/4" I.D. x .045" Mach. Bush.....	41388
12.	5/16"-18NC x 3/8" Lg. PHMS.....	40227
13.	Locking Latch Cable	FJ7600

Shockwave Detail

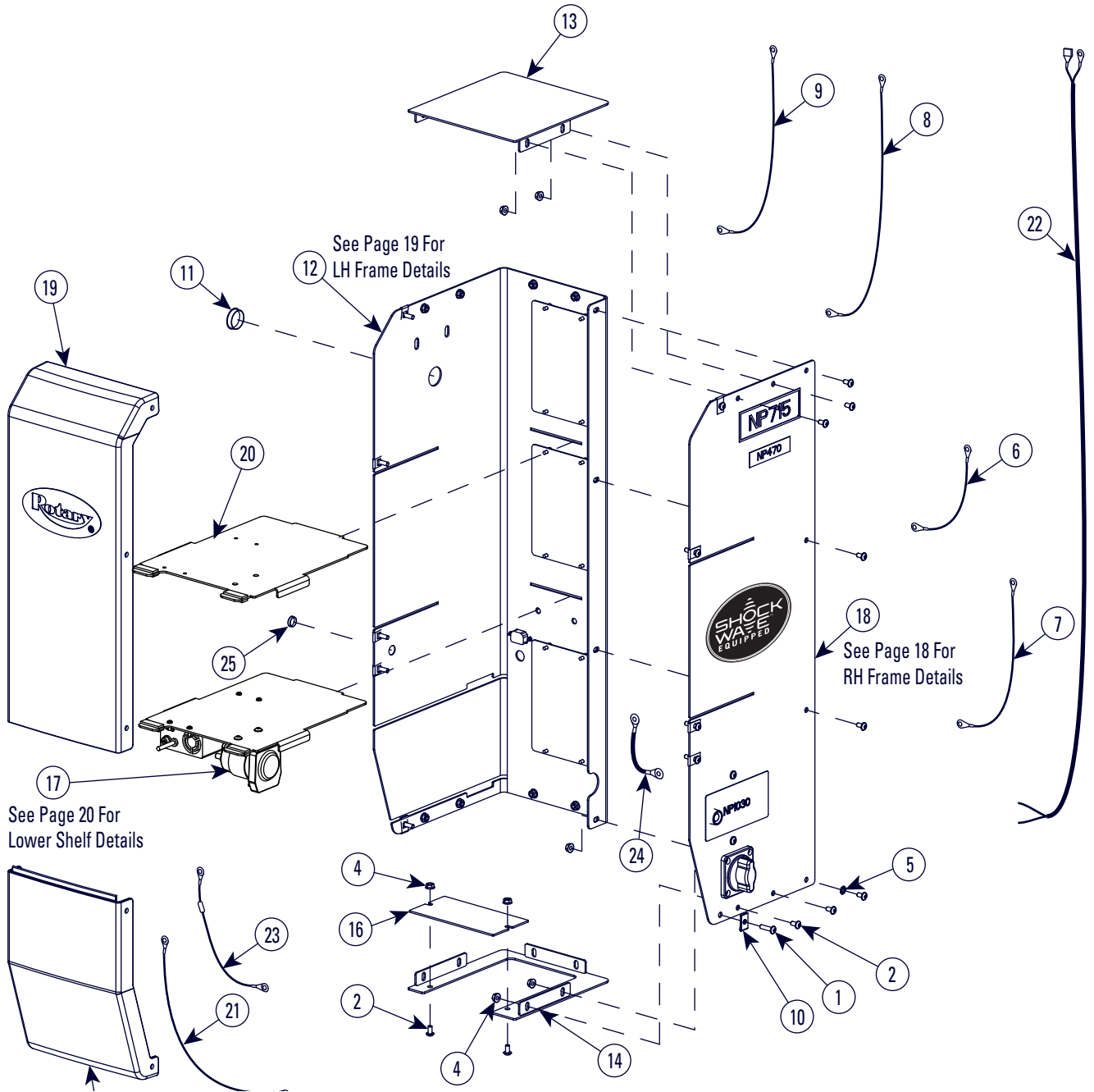


DC CONTROL MOUNTING

Shockwave Detail

ITEM	PART NO.	DESCRIPTION
1	40167	3/8"-16NC x 1" Lg. CAR. BOLT, Gr. 5, PLTD.
2	40217	5/16" USS FLAT WASHER, PLTD
3	40221	5/16"-18NC x 1" Lg HHCS, GRD5 PLTD
4	40650	#12-24NC HEX NUT, PLTD
5	40678	5/16"-18NC HEX FLGD WZLOCK NUT, PLTD
6	FA997-1	#10-32 x 1/4" Lg. HEX WHSFTS, PLTD, COLORED GREEN
7	41526	#12-24NC x 3/4" Lg. PHIL. PHMS, PLTD
8	41527	#12 EXT TOOTH LW, PLTD
9	629888	TY-RAP CABLE TIE, NYLON, BLACK, 11 1
10	EFX60010319	ADAPTER, STRAIGHT THREAD/ SWIVEL (ORB/ORFS 6X6)
11	FA7180-31	WIRE GROMMET
12	FA7189-14	3/8" NPT STRAIN RELIEF
13	FA7189-15	3/8" NPT LOCKNUT
14	FA7616	BATTERY-BATTERY CABLE
15	FA7958-28	CORD GRIP
16	FA997	JUNCTION BOX
17	FA966	DC CONTROL ASSEMBLY
18	FA966-16	BATTERY TRAY
19	FA966-47	BATTERY CABINET 2-POST SPLASH SHIELD
20	FA966-51	10FT UNIVERSAL POWER CORD (NEMA 5-15P TO IEC320C13)
21	FA966-55	BATTERY CABINET UPPER MOUNTING BRKT WELD
22	FA966-56	BATTERY CABINET MOUNTING BRKT WELD
23	FA966-57	BATTERY CABINET MOUNTING COLUMN BRKT WELD
24	FA979	POSITIVE BATTERY TERMINAL END
25	FA980-1	DUPLEX RECEPTACLE COVER 4" SQUARE BOX
26	FA980-2	DUPLEX FEMALE RECEPTACLE
27	FA980-3	GROUND WIRE
28	FA981	NEGATIVE BATTERY TERMINAL END
29	FJ71003	FLOW REGULATOR
30	FJ71007	MALE ORFS x FEMALE ORFS SWIVEL ELBOW
31	FJ7669	COLUMN HOSE CLAMP
32a	P3577	DC POWER UNIT - PAD LIFT
32b	P3579	DC POWER UNIT - ARM LIFT
32c	P3586	DC POWER UNIT - SPO12
33	N3151Y	HYDRAULIC CYLINDER
34	FJ7352-3	ADAPTER
35	N539	BASE PLATE COVER (FOR SPOA10 & SPO10 MODELS ONLY)
36	40271	5/16"-18NC x 1-1/2" HHCS FULL THREAD
37	40670	5/16"-18NC HEX NUT

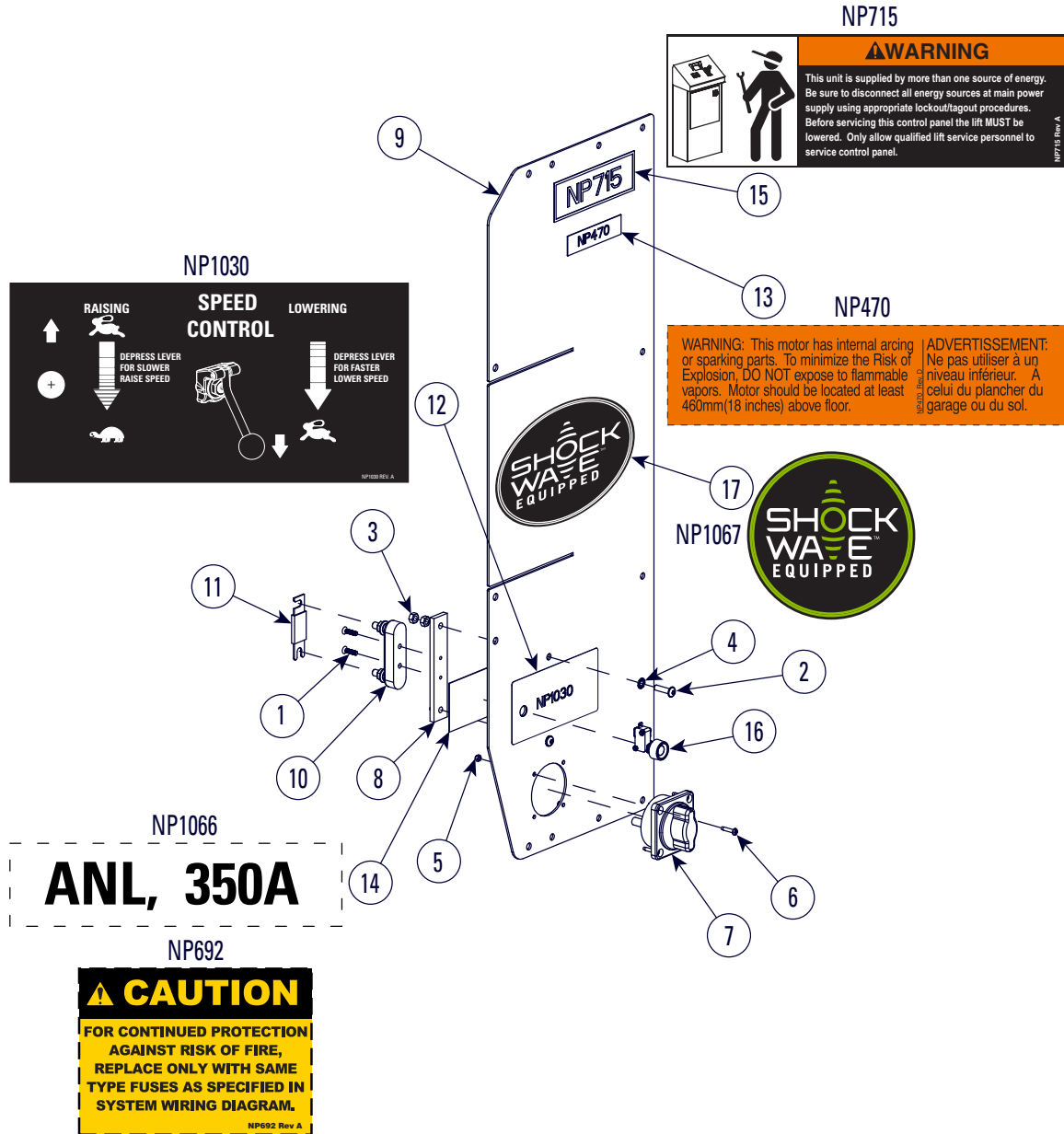
Shockwave Detail



Shockwave Detail

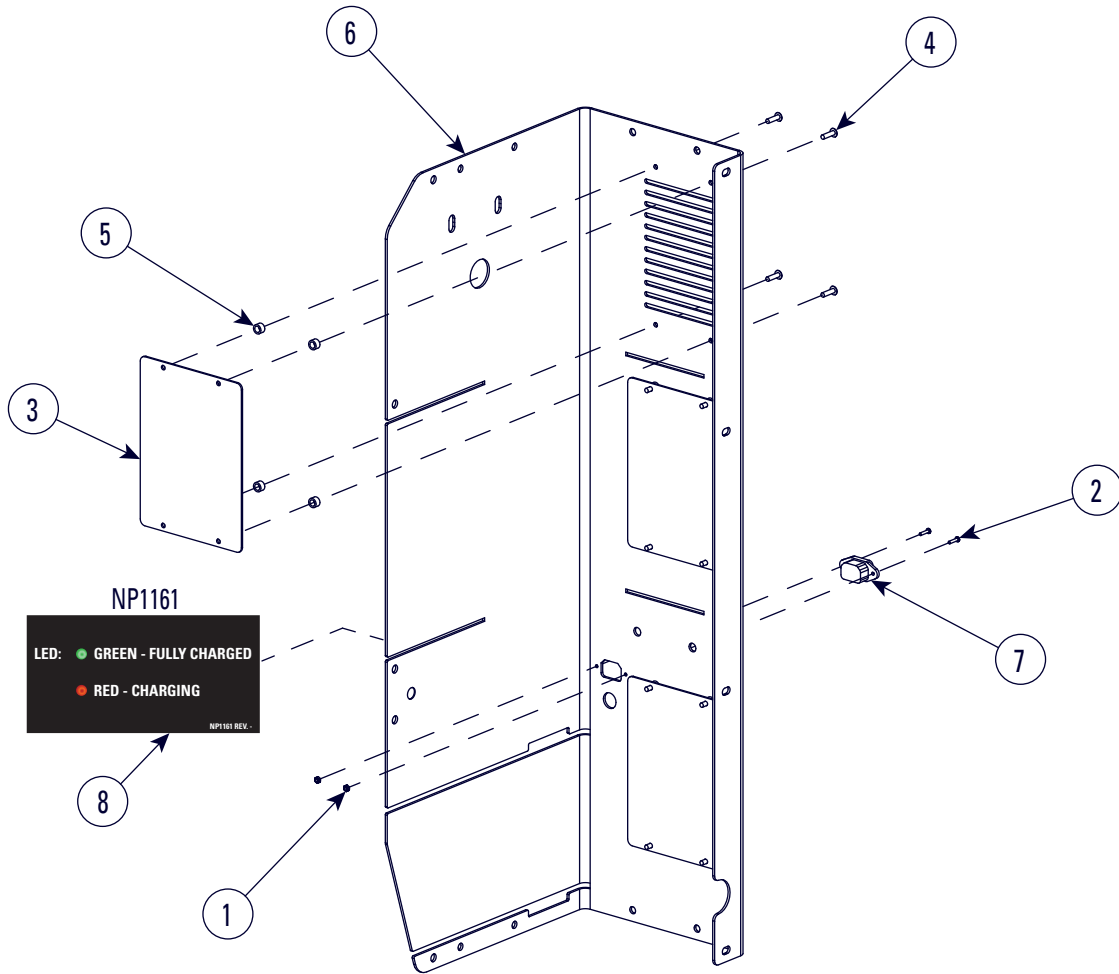
DC CONTROL		
ITEM	PART NO.	DESCRIPTION
1	40077	1/4"-20NC x 1" Lg FLGD HEX SOC BHCS, GRD2
2	40094	1/4"-20NC x 1/2" Lg FLGD HEX SOC BHCS
3	NA	NA
4	40641	1/4"-20NC HEX FLGD WZLOCK NUT, PLTD
5	40779	1/4" EXT TOOTH LW
6	FA7618	DISCONNECT-FUSE CABLE
7	FA7619	FUSE-CONTACTOR CABLE
8	FA7667	BATTERY-DISCONNECT CABLE
9	FA7668	BATTERY-MOTOR CABLE
10	FA966-22	CLIP-ON NUT
11	FA966-34	1-1/4" HOLE PLUG
12	FA966-37	BATTERY CABINET LH FRAME ASSY
13	FA966-39	BATTERY CABINET TOP COVER WELDMENT
14	FA966-42	BATTERY CABINET BOTTOM COVER WELDMENT
15	FA966-45	BATTERY CABINET FRONT BOTTOM COVER
16	FA966-46	BATTERY CABINET SMALL BOTTOM COVER
17	FA966-48	BATTERY CABINET LOWER SHELF ASSEMBLY
18	FA986-1	BATTERY CABINET RH FRAME ASSEMBLY
19	FA966-50	BATTERY CABINET FRONT TOP COVER ASSY
20	FA966-58	BATTERY CABINET SHELF WELD
21	FA970	CONTACTOR HARNESS
22	FA971	OVERHEAD HARNESS
23	FA978	DISCONNECT HARNESS
24	FA982	GROUND WIRE
25	FA966-60	TRANSPARENT HOLE PLUG

Shockwave Detail



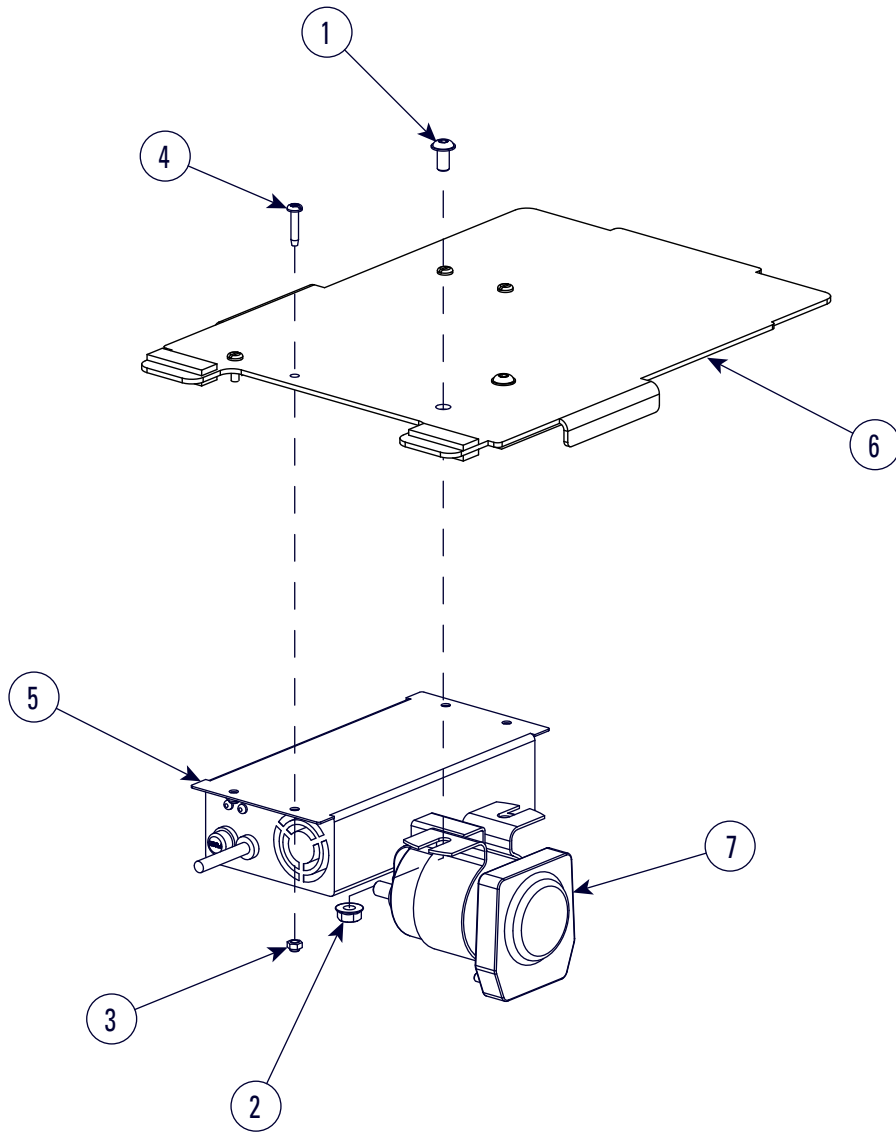
RIGHT HAND FRAME ASSEMBLY		
ITEM	PART NO.	DESCRIPTION
1	40004	#10-24 x 5/8 PFHMS, McMASTER-CARR # 90471A315 or EQUAL
2	40077	1/4"-20NC x 1" Lg FLGD HEX SOC BHCS, GRD2
3	40627	1/4"-20NC HEX NUT, PLTD
4	40779	1/4" EXT TOOTH LW
5	450957	#8-32NC NYLON LOCKNUTS
6	40022	#8-32NC X 1/2" Lg PHMS
7	FA7958-4	DC DISCONNECT SWITCH
8	FA966-8	FUSE HOLDER MOUNTING BRACKET
9	FA986-10	BATTERY CABINET RH FRAME
10	FA975	FUSE HOLDER
11	FA975-1	350 AMP FUSE
12	NP1030	PUSHBUTTON NAMEPLATE
13	NP470	MOTOR LOCATION WARNING LABEL
14	NP692	NAMEPLATE
	NP1066	NAMEPLATE
15	NP715	NAMEPLATE
16	P1483	LIMIT SWITCH ASSEMBLY
17	NP1067	SHOCKWAVE DECAL

Shockwave Detail



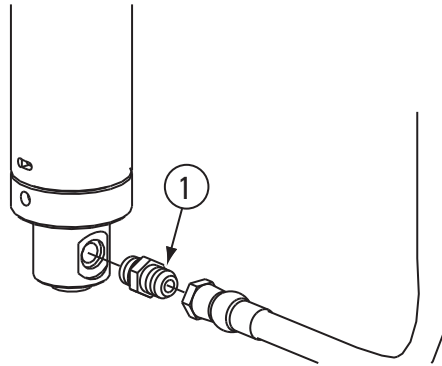
LEFT HAND FRAME ASSEMBLY		
ITEM	PART NO.	DESCRIPTION
1	41628	#4-40 NYLON INSERT LOCKNUT MMC #90633A005
2	796443	#4-40 x 1/2 Lg. PHMS, PLTD
3	FA966-17	SPLASH SHIELD
4	FA966-18	DOME HEAD RIVET
5	FA966-21	SPACER
6	FA966-52	BATTERY CABINET LH FRAME FORMING
7	FA983	CHARGER INTERNAL POWER CORD
8	NP1161	NAMEPLATE

Shockwave Detail



LOWER SHELF ASSEMBLY		
ITEM	PART NO.	DESCRIPTION
1	40094	1/4"-20NC x 1/2" Lg FLGD HEX SOC BHCS
2	40641	1/4"-20NC HEX FLGD WZLOCK NUT, PLTD
3	450957	#8-32NC NYLON LOCK NUT
4	40022	#8-32NC x 1/2" LG. PHMS
5	FA7958-48	24V 5A CHARGER
6	FA966-58	BATTERY CABINET SHELF WELD
7	FA976	DC CONTACTOR

Cylinder Hose Adapter Detail



ITEM	DESCRIPTION	PART#
1.	Straight Adapter.....	FJ7352-3

Column Decals

Warning label pictographs used with permission of the Automotive Lift Institute.

NP355

SAFETY INSTRUCTIONS
Read and heed all WARNING, CAUTION and SAFETY INSTRUCTION labels on lift.

OPERATING INSTRUCTIONS
Only Authorized Personnel Are to Operate Lift. Before operating lift, read Operation & Maintenance Manual and Safety documents supplied with lift.

CONVENTIONAL LIFT CONTROLS

Inbay® LIFT CONTROLS

SHOCKWAVE

Light On Battery Charge:
Red - Charging Green - Charged

- BEFORE LOADING:**
 - Inspect lift to assure it is in good operation condition. See Operation & Maintenance Manual for details.
- LOADING:**
 - Spot vehicle with left front wheel in proper spotting dish position, Fig. 1.
 - Swing arms under vehicle and position adapters at vehicle manufacturer's recommended lift points, Fig. 2.

IMPORTANT Before attempting to lift pickup trucks or other truck frame vehicles, be sure that:

 - Vehicle individual axle weight does not exceed 1/2 lift capacity.
 - Adapters are in secure contact with vehicle manufacturer's recommended lift points.
 - Vehicle is stable on lift, neither front nor tail heavy.
 - The highest point of the vehicle will contact the overhead switch bar.
- TO RAISE LIFT:**
 - Actuate RAISE SWITCH/RAISE button. Stop before making contact with vehicle. Check arm restraint gears for engagement. If required, slightly move arm to allow restraint gear and pawl to mesh. DO NOT hammer pin down as this will damage the restraint gear teeth.
 - Raise vehicle until tires clear floor.
 - STOP. Check adapters for secure contact with vehicle. Shake car moderately at front or rear bumper.
 - Continue to raise to desired height ONLY if vehicle is secure on lift. If necessary, lower lift and reposition using vehicle manufacturer's recommended pick-up points.
- FOR CONVENTIONAL AND SHOCKWAVE LIFTS:**
 - Actuate LOWERING VALVE HANDLE to lower lift onto locking latches.
- FOR Inbay LIFTS:**
 - Push the LOWER TO LOCKS button to lower lift onto locking latches.
 - Motor duty cycle is one full lifting operation within a 10 minute period. Example: 45 seconds rise time, 9 minute 15 second rest.
- BEFORE LOWERING LIFT:**
 - Remove all obstacles from under vehicle and lift.
 - Assure personnel are not in lift area.
- TO LOWER LIFT:**
 - Remain clear of lift.
 - Actuate RAISE SWITCH/RAISE button to raise lift off latches.
- FOR CONVENTIONAL AND SHOCKWAVE LIFTS:**
 - Actuate LATCH RELEASE fully and hold.
 - Actuate LOWERING VALVE HANDLE to lower.
- FOR Inbay LIFTS:**
 - Push the LOWER button to lower lift while keeping feet clear.

Fig. 1

Typical Wheel Spotting Positions

Front Wheel Drive Vehicles

Fig. 2

Typical Lift Points

NOTE: Some vehicles may have the manufacturer's Service Garage Lift Point locations identified by triangle shape marks on it's undercarriage (reference ANSI/SAE Z196). If the specific vehicle lift points are not identified, refer to the vehicle manufacturers service manual or the "Typical Lift Points" illustrated herein. ALWAYS follow the operating instructions supplied with the lift.

Rotary Lift Madison, IN 47250 (800)445-6438 © October 2018 by Vehicle Service Group. All rights reserved. CO10599 NP355 Rev. L 10/11/2018

NP372

NOTICE

Read operating and safety manuals before using lift.

NOTICE

Proper maintenance and inspection is necessary for safe operation.

NOTICE

Do not operate a damaged lift.

The messages and pictographs shown are generic in nature and are meant to generally represent hazards common to all automotive lifts regardless of specific type.

Funding for the development and validation of these labels was provided by the Automotive Lift Institute, PO Box 33116 Indianapolis, IN 46203-3116.

They are protected by copyright. Set of labels may be obtained from ALI or its member companies.

©2011 by ALI, Inc. ALI/MS-1014

NP373

WARNING

Clear area if vehicle is in danger of falling.

WARNING

Position vehicle with center of gravity midway between adapters.

WARNING

Remain clear of lift when raising or lowering vehicle.

WARNING

Avoid excessive rocking of vehicle while on lift.

WARNING

Do not override self-closing lift controls.

WARNING

Keep feet clear of lift while lowering.

The messages and pictographs shown are generic in nature and are meant to generally represent hazards common to all automotive lifts regardless of specific type.

Funding for the development and validation of these labels was provided by the Automotive Lift Institute, PO Box 33116 Indianapolis, IN 46203-3116.

They are protected by copyright. Set of labels may be obtained from ALI or its member companies.

©2011 by ALI, Inc. ALI/MS-1014

NP374

CAUTION

Lift to be used by trained operator only.

CAUTION

Authorized personnel only in lift area.

CAUTION

Use vehicle manufacturer's lift points.

CAUTION

Always use safety stands when removing or installing heavy components.

CAUTION

Use height extenders when necessary to ensure good contact.

CAUTION

Auxiliary adapters may reduce load capacity.

The messages and pictographs shown are generic in nature and are meant to generally represent hazards common to all automotive lifts regardless of specific type.

Funding for the development and validation of these labels was provided by the Automotive Lift Institute, PO Box 33116 Indianapolis, IN 46203-3116.

They are protected by copyright. Set of labels may be obtained from ALI or its member companies.

©2011 by ALI, Inc. ALI/MS-1014

NP865 ALI/WLSIA01

NOTICE

If attachments, accessories, or configuration modifying components used on this lift are located in the load path and affect operation of the lift, affect the lift electrical listing, or affect intended vehicle accommodation; and if they are not certified for use on this lift, then the certification of this lift shall become null and void. Contact the participant for information pertaining to certified attachments, accessories, or configuration modifying components.

www.autolift.org ©2011 by ALI, Inc. ALI / WLSIA01

NP728



NP243

CAPACITY
12,000 LBS.
(5443 Kg.)
 NP243 Rev. B

NP738



NP739



NP740



Rotary World Headquarters

2700 Lanier Drive
Madison, IN 47250, USA
www.rotarylif.com

North America Contact Information

Tech. Support:
 p 800.445.5438
 f 800.578.5438
 e userlink@rotarylif.com

Sales:
 p 800.640.5438
 f 800.578.5438
 e userlink@rotarylif.com

World Wide Contact Information

World Headquarters/USA: 1.812.273.1622
 Canada: 1.905.812.9920
 European Headquarters/Germany: +49.771.9233.0
 United Kingdom: +44.178.747.7711
 Australasia: +60.3.7660.0285
 Latin America / Caribbean: +54.3488.431.608
 Middle East / Northern Africa: +49.771.9233.0

© Vehicle Service GroupSM

Printed in U.S.A., All Rights Reserved. Unless otherwise indicated, ROTARY, and all other trademarks are property of Dover Corporation and its affiliates.





SP012

Standard/Hummer/Sprinter

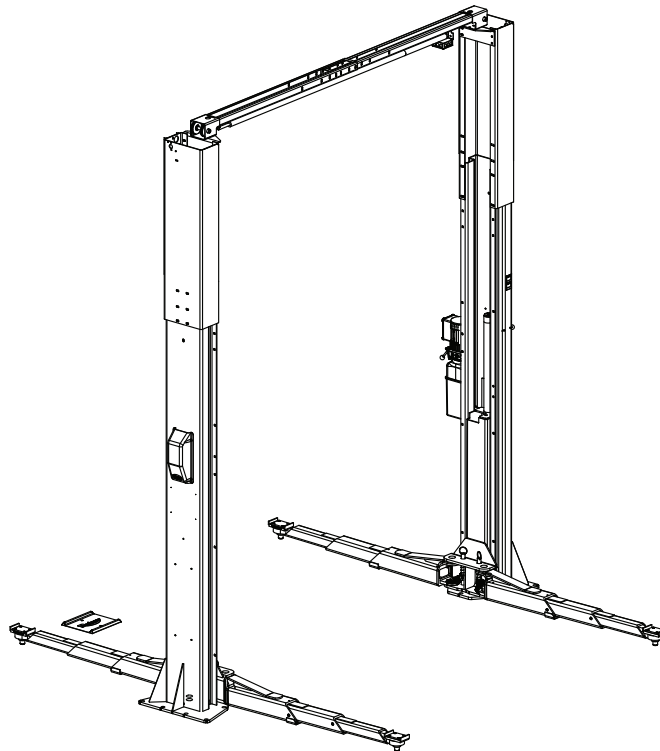
Elevador de Embrague de Superficie de Dos Postes Montado con Marco de Brazo de Oscilación

Incluye modelos Shockwave™

Standard (Series 700) Capacidad: 12.000 libras

Hummer (Series 7W0) Capacidad: 12.000 libras

Sprinter (Series 7A0) Capacidad: 9.000 libras



DESGLÓSE DE PIEZAS

IMPORTANTE: Al ordenar partes o solicitar servicio siempre dé el modelo exacto y el número de serie de la unidad de energía. El número de modelo se muestra en la placa adjunta en la columna de la unidad de energía. El número de serie de la unidad de alimentación se encuentra a un lado de ésta.

REGISTRO DEL PROPIETARIO

Complete la información a la derecha y guárdela en un lugar seguro.

Fecha de Instalación _____

Instalado en la Bahía No. _____

No. de Serie de la Unidad de Energía _____

No. de Modelo de la Unidad de Energía _____

Nº de Serie del Elevador _____

Nº de Modelo del Elevador _____

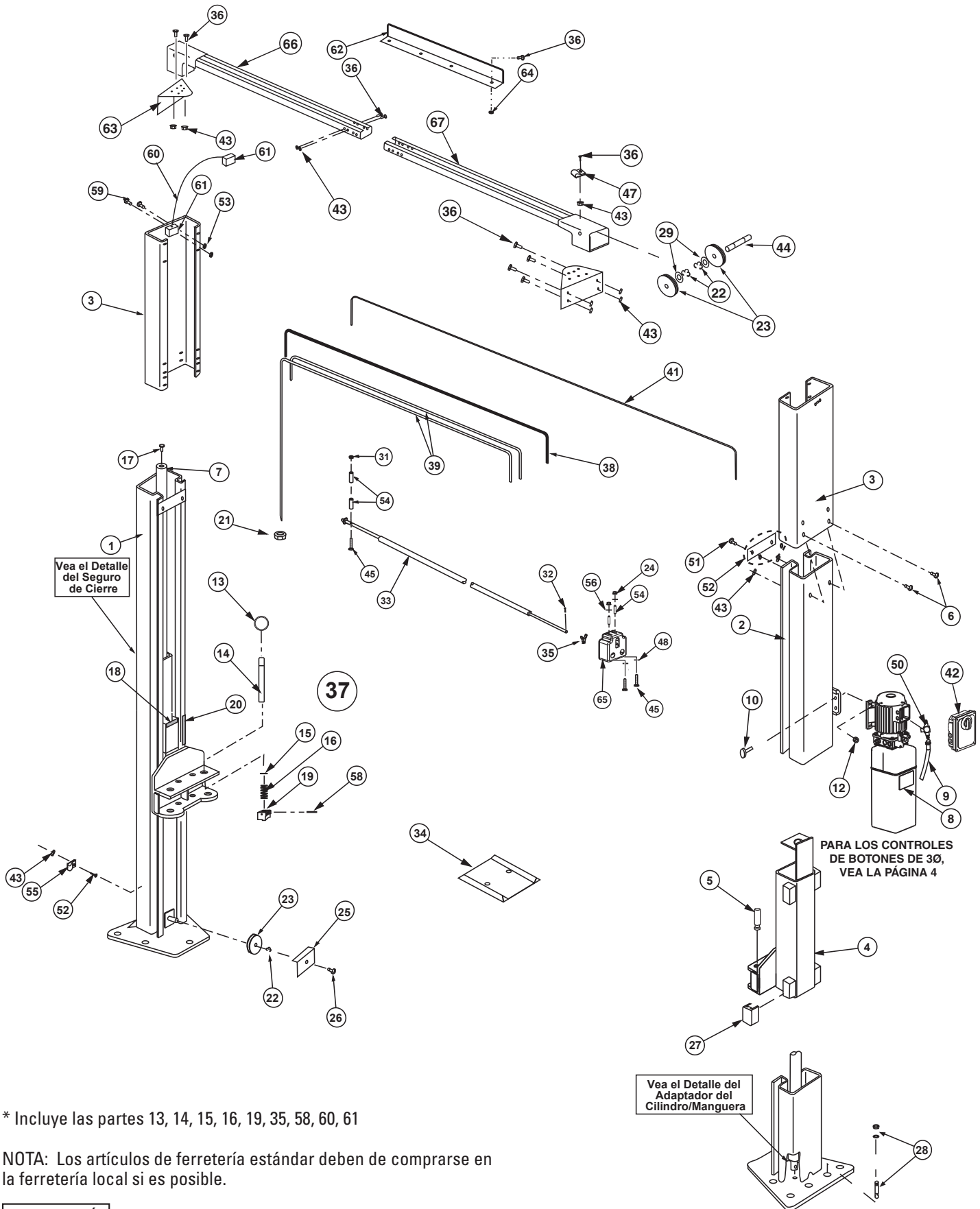
NOTA: Para piezas de repuesto: Vea a su Distribuidor de Piezas Rotary más cercano.



1	Izquierda Soldadura de la columna	N754
2	Derecha Soldadura de la columna	N757
3	Extensión de la Columna	
	MODELO de Techo Bajo (Series 700/7A0/7T0)	N495
	MODELO de Altura Estándar (Series 700/7A0/7T0)	N477
	MODELO EH-1 (Series TODAS 7XX)	N478
	MODELO EH-2 (Series TODAS 7XX)	N479
	MODELO EH-3 (Series TODAS 7XX)	N4116
4	Soldadura del Yugo del Carruaje	N826
5	Pasador del Brazo	N2154
6	3/8"-16NC x 1" Perno del Carruaje	N/C
7	Cilindro Hidráulico	
	68" Elevación	N380
	71" Elevación	N382
8	Unidad de energía	
	UNA FASE	P3391
	MONOFÁSICO, 50Hz	P3575
	4 HP MONOFÁSICO	P3500
	TRIFÁSICO	P3395
	575 Volts	P3360
9	Manguera de la unidad de alimentación	FJ837
10	HHCS de fijación de 5/16"-18NC x 1-1/2"	40509
11	NA	NA
12	Contratuercas de fijación hexagonal de 5/16"-18NC	40678
13	Manija del Perno del Impulsor	FJ7985-1
14	Perno del Impulsor	N121-1
15	Perno de Retención	N119-3
16	Resorte del Brazo de Retención	FJ7656-2
17	Tornillo del Purgador (Especificar Fabricante)	2 NECESARIOS
18	Tope del Carruaje	FJ7391-2
19	Panel del Brazo de Restricción	N2121
20	Tope de Aproximación (puerta-18" Lg-2 requeridos)	FJ7391-1
21	5/8"-11NC Tuerca de Seguridad Hexagonal con Inserción de Nailon	40743
22	Truarc #5304-75 Klipring para eje 3/4"	41411
23	Roldana	N417-1
24	1/4"-20NC Tuerca Hexagonal de Zinc	40627
25	Cubierta de polea	N119-1
26	1/4"-20NC x 3/8" largo Enchapado en PHMS (2 piezas)	40063
27	Tope de las Correderas	FJ7360
28	3/4" Ancla de Concreto (14 requeridas)	FJ7380
29	1-1/2" O.D. x .760-.770" I.D. x .045" Buje	41388
30	N/C	N/C
31	1/4"-20NC Tuerca de Seguridad de Inserción	41423
32	1/8" x 1" Largo Clavija pasante (3Ø solamente)	41200
33a	Ensamble de la barra del interruptor 1Ø / 3Ø con botón	N467
	Ensamble de la Barra del Interruptor 3Ø	N434
33b	Ensamble de la barra del interruptor (Serie 7W0) 1Ø / 3Ø con botón	N464
	Ensamble de la Barra del Interruptor (Serie 7W0) 3Ø	N466
34	Equipo de la Base de la Rueda de Localización	FF729
35	Ensamble del Impulsor (Sólo 3Ø)	N432-5
36	3/8"-16 NC x 3/4" HHCS Largo de Fijación	40124
37*	Equipo de Brazo de Restricción (1 brazo)	*N2148

38	Manguera Superior	
	MODELO de Techo Bajo (Series 700/7A0/7T0)	FJ839
	MODELO de Altura Estándar (Series 700/7A0/7T0)	FJ843
	MODELO EH-1 (Series TODAS 7XX)	FJ844
	MODELO EH-2 (Series TODAS 7XX)	FJ845
	MODELO EH-3 (Series TODAS 7XX)	N3159
39	Cables de Ecuación	
	MODELO de Techo Bajo (Series 700/7A0/7T0)	N390
	Altura Estándar (Series 700/7A0/7T0)	N387
	MODELO EH-1 (Series TODAS 7XX)	N388
	MODELO EH-2 (Series TODAS 7XX)	N389
	MODELO EH-3 (Series TODAS 7XX)	N3158
40	N/C	N/C
41	Cable del Cierre de Seguro	
	Standard	FJ7600
	MODELO EH-3 (Series TODAS 7XX)	N629
42	Caja del Condensador	FA7147-1
	Placa de Cubierta de la Caja del Condensador	FA7366-1
	Interruptor de Tambor	FA7364
	Palanca del Interruptor de Tambor	FA7364-1
	M5 x 45 PHMS, Chapado	41672
	43	3/8"-16NC Contratuercas de Fijación
44	Eje de Polea	FJ7444-8
45	1/4"-20NC x 2-3/4" HHCS Grado 5	40114
46	Guía del Cable de Seguridad	N69
47	Sujetador de Manguera	N383
48	Arandela Plana 1/4"	40795
49	5/16"-18NC x 3/8" PHMS (6 req'd-Columna)	40227
50	Bifurcación T	FJ7668
51	3/8"-16NC x 2-1/2" largo Remache	40183
52	Kit de barra de vinculación	N1243
	Barra de Vinculación	N1243-1
	Separador	N1162-2
53	1/4"-20NC Contratuercas de Fijación	40641
54	3/4" Espaciador	FJ7871
55	3/8"-16NC x 3/4" largo Remache	40696
56	1/4" Rondana Dentada de Seguridad Externa	40779
57	3/8" Rondana Dentada de Seguridad Externa	40845
58	Perno de Resorte-1/4" diá. x 1-1/2" Lg. (Acero Inoxidable)	14427
59	1/4"-20NC x 1" HHCS Grado 5	40108
60	Guía de Cable	N618
61	Soporte del Extremo del Cable	N619
62	Ángulo de Refuerzo (Series 700/7A0/7T0)	N417-3
	Ángulo de Refuerzo (Series 7W0)	N463
63	Soporte de Montaje de la Columna	N440
64	3/8"-16NC Contratuercas de Fijación	40664
65	1Ø Ensamble del interruptor de límite	N413
	3Ø Ensamble del interruptor de límite	N412
66	Izquierda Soldadura Superior (Exterior)	
	(Series 700/7A0/7T0)	N480-1
	(Series 7W0)	N493-1
67	Derecha Soldadura Superior (Interior)	
	(Series 700/7A0/7T0)	N481-1
	(Series 7W0)	N494-1

Series SP012 700

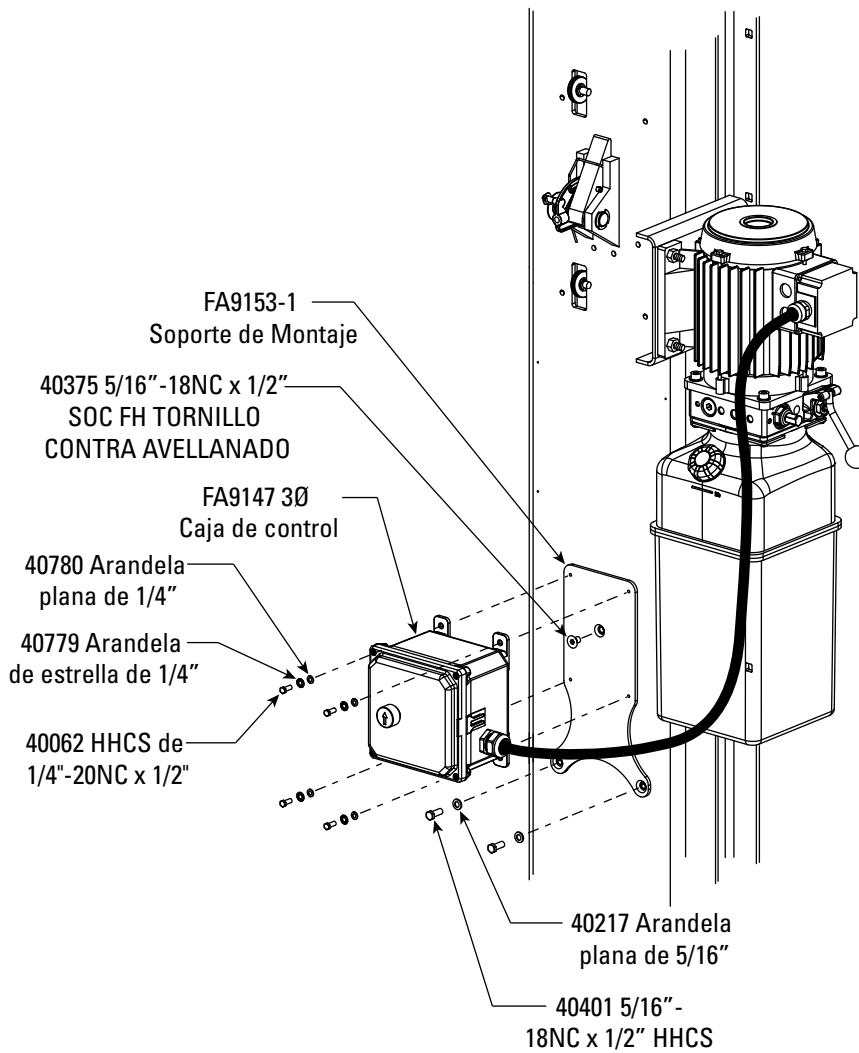


* Incluye las partes 13, 14, 15, 16, 19, 35, 58, 60, 61

NOTA: Los artículos de ferretería estándar deben de comprarse en la ferretería local si es posible.

PRECAUCIÓN Debe de tenerse cuidado de utilizar equipo de ferretería igual al que se especifica en el listado. (Si no se especifica el grado, utilice Grado 2 mínimo.)

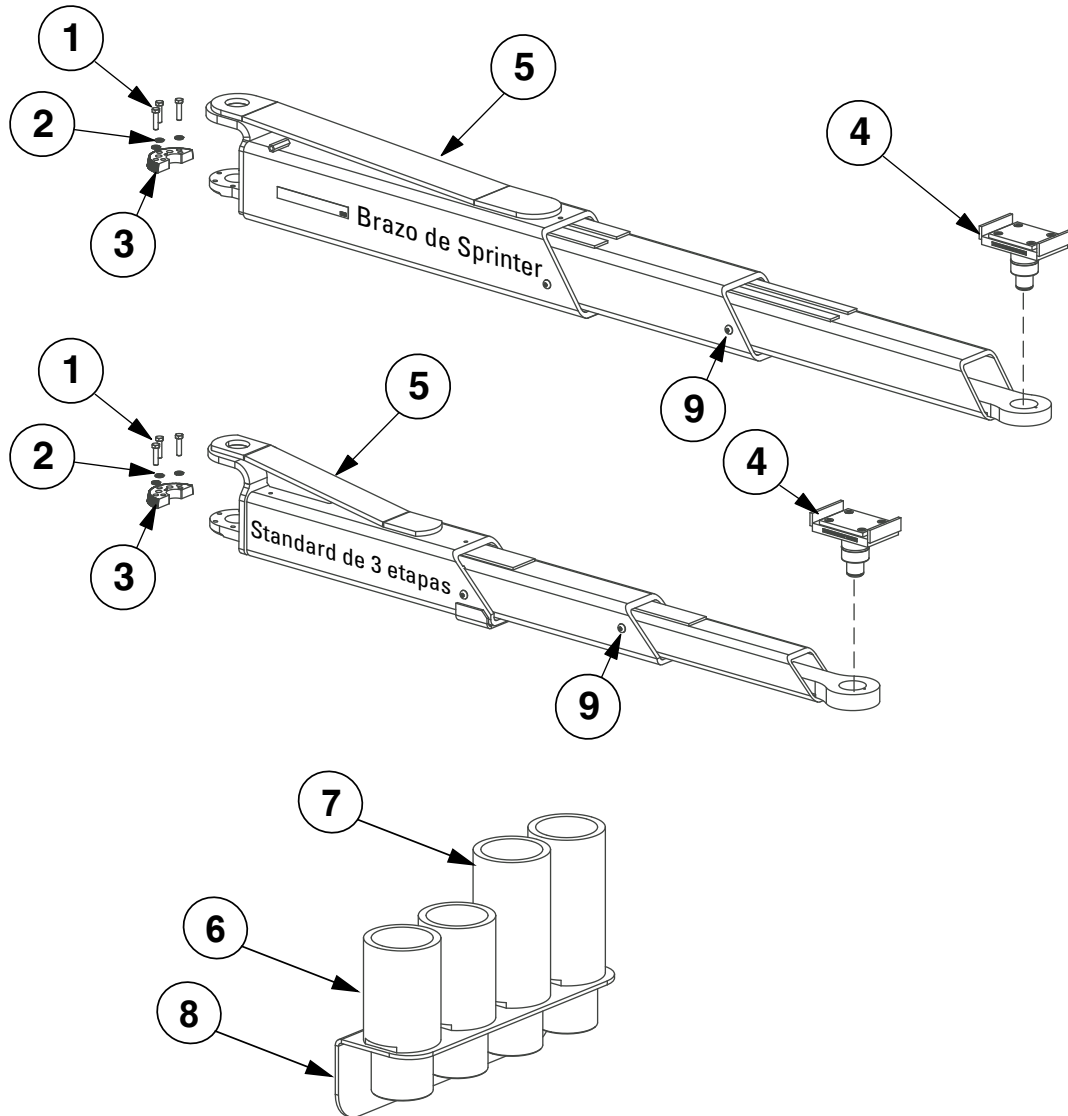
UNIDAD DE ENERGÍA DE 3Ø



FA9147 Incluye artículos:	
FA9147-1	3Ø Gabinete de la caja de control con junta
FA9147-2	Contactador de 25 AMP, 3 polos con bobina de 480 voltios GE CR553AB3CAA
FA9147-6	Bobina del contactor Coil DB1AB 208-240 voltios para el contactor GE CR553A
FA9147-8	Botón de interruptor temporal con bloque de contacto
FA9147-9	Cable de 600 voltios 4 alambres de 42" de largo con terminales de anillo

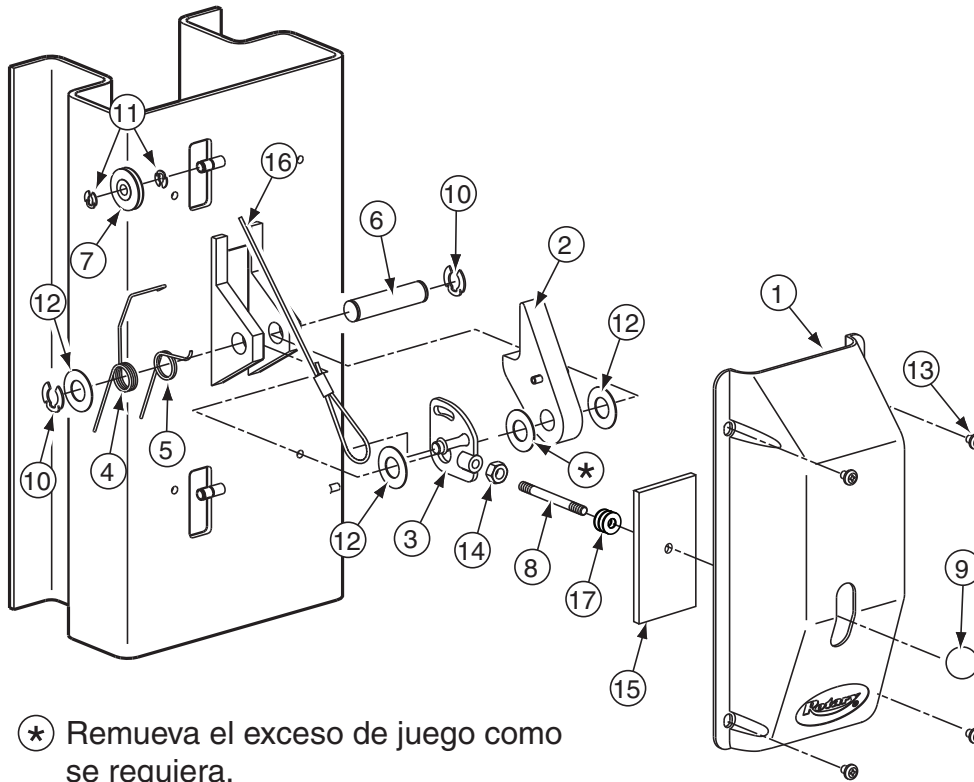
FA9147-12	Bobina de 550-600 voltios Clavija GE PB1AD para elevadores de 575 voltios solamente
-----------	---

Sprinter Serie 7A0/Hummer Serie 7W0/3 Etapas Serie 7T0



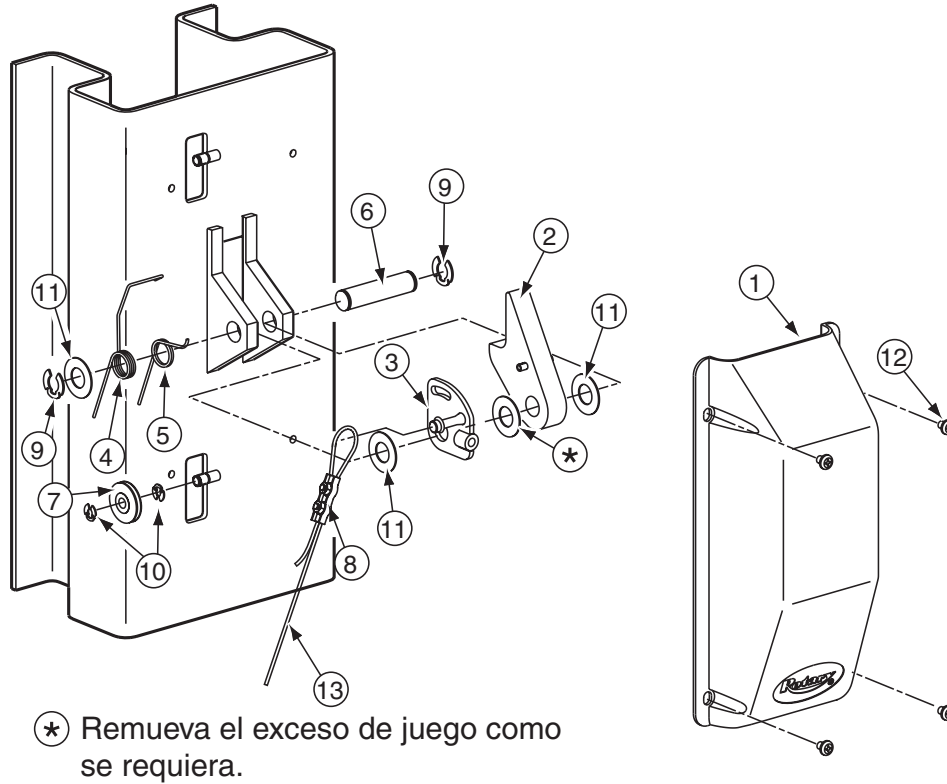
- | | | |
|----|--|----------|
| 1. | 3/8"-16NC x 1-1/2" HHCS Grado 5..... | 40200 |
| 2. | 3/8" Arandelas de resorte..... | 40818 |
| 3. | Engranaje de restricción..... | N2122 |
| 4. | Adaptador..... | FJ6214 |
| 5. | Brazo | |
| | Serie 7A0 (Brazo de Sprinter)..... | N2272 |
| | Serie 7T0 (Brazo de 3 etapas de Standard)..... | N2273 |
| | Serie 7W0 (Brazo de 3 etapas de Standard)..... | N2273 |
| 6. | Extensión del Adaptador de 3-1/2" (90mm)..... | FJ6171-1 |
| 7. | Extensión del Adaptador de 5-1/4" (130mm)..... | FJ6171-2 |
| 8. | Estante del adaptador..... | FJ6127 |
| 9. | Tope..... | N2264-15 |

Detalle del Seguro de Cierre (Columna Derecha)



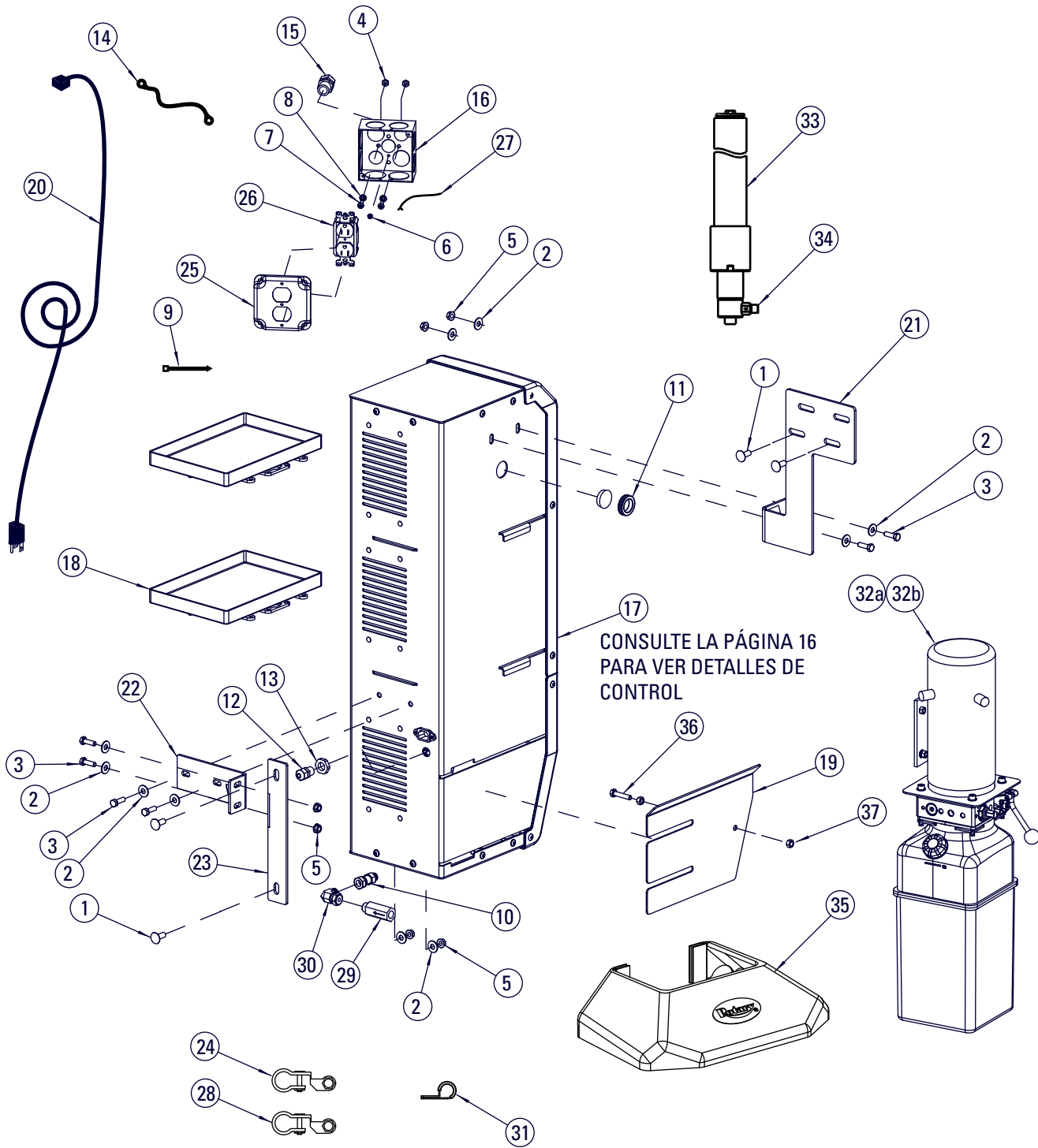
ELEMENTO	DESCRIPCIÓN	N.º DE PIEZA
1.	Cubierta del Control Lateral	FJ7452
2.	Seguro de Cierre Macho	N615
3.	Placa de Control	FJ7594-2
4.	Resorte	FJ7566-10
5.	Resorte	FJ7382-9
6.	Eje del seguro	FJ7382-34
7.	Polea de Cierre Macho	FJ7322
8.	Mango	FJ7382-18
9.	Mango de bola	FC134-91
10.	Truarc Klipring #5304-75 para Eje 3/4"	41411
11.	Truarc Klipring #5304-37 para Eje 3/8"	41410
12.	1-1/2" O.D. x 3/4" I.D. x .045" Cojinete de Maquinaria	41388
13.	5/16-18NC x 3/8" largo PHMS	40227
14.	3/8" - 16NC Tuerca Hexagonal de Seguridad	40658
15.	Cubierta de la Ranura	N617
16.	Cable de Cierre Macho	FJ7600
17.	Arandela plana de 3/8"	40820

Detalle del Seguro de Cierre (Columna Izquierda)



ELEMENTO	DESCRIPCIÓN	N.º DE PIEZA
1.	Cubierta del seguro	FJ7451
2.	Seguro de Cierre Macho	N615
3.	Placa de Control	FJ7594-2
4.	Resorte	FJ7566-10
5.	Resorte	FJ7382-9
6.	Eje del seguro.....	FJ7382-34
7.	Polea de Cierre Macho.....	FJ7322
8.	Abrazadera del Cable de Seguridad.....	N63-1
9.	Truarc Klipring #5304-75 para Eje 3/4"	41411
10.	Truarc Klipring #5304-37 para Eje 3/8"	41410
11.	1-1/2" O.D. x 3/4" I.D. x .045" Cojinete de Maquinaria...41388	
12.	5/16-18NC x 3/8" largo PHMS.....	40227
13.	Cable de Cierre Macho	FJ7600

Detalle de Shockwave

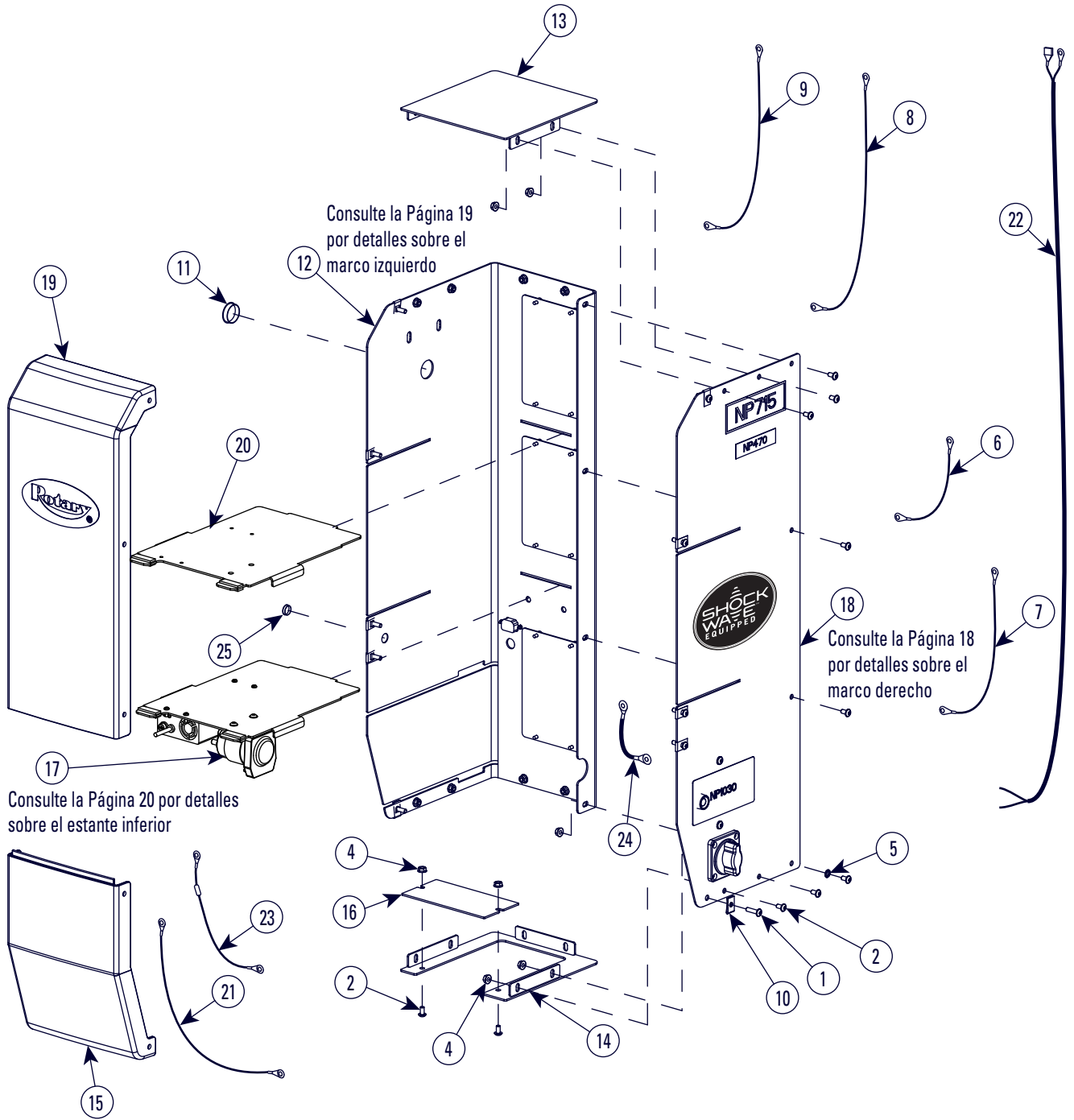


MONTAJE DE CONTROL CC

Detalle de Shockwave

ARTÍCULO	PIEZA NO.	DESCRIPCIÓN
1	40167	3/8"-16NC x 1" Largo PERNO DE FIJACIÓN, Gr. 5, ENCHAPADO
2	40217	ARANDELA PLANA 5/16" USS, PLTD
3	40221	TORNILLO DE CABEZA HEXAGONAL DE 5/16"-16NC x 1" DE LARGO, GRD5 CROMADO
4	40650	TUERCA N.º12-24NC CABEZA HEXAGONAL, CROMADA
5	40678	TUERCAS DE SEGURIDAD HEXAGONALES BRIDADAS DE 5/16"-18NC
6	FA997-1	TORNILLOS WHSFT HEXAGONALES N.º 10-32 x 1/4" DE LARGO, COLOR VERDE
7	41526	#12-24NC x 3/4" Largo PHMS PHIL., CROMADO
8	41527	DIENTE DE EXTENSIÓN N.º12, LW, CROMADOS
9	629888	CONECTOR DE CABLE TY-RAP, NYLON, NEGRO, 11 1
10	EFX60010319	ADAPTADOR, ROSCADO RECTO/GIRATORIO (ORB/ORFS 6X6)
11	FA7180-31	AISLANTE PARA CABLE
12	FA7189-14	ALIVIADOR DE TENSIÓN 3/8" NPT
13	FA7189-15	TUERCA DE SEGURIDAD NPT DE 3/8"
14	FA7616	CABLE DE BATERÍA - BATERÍA
15	FA7958-28	ASEGURADOR DE CABLE
16	FA997	CAJA DE CONEXIÓN
17	FA966	CONJUNTO DE CONTROL CC
18	FA966-16	BANDEJA DE LA BATERÍA
19	FA966-47	GABINETE DE BATERÍA CON PROTECTOR DE 2 POSTES
20	FA966-51	CABLE DE POTENCIA UNIVERSAL DE 10 PIES (NEMA 5-15P A IEC320C13)
21	FA966-55	SOLDADURA DE SOPORTE DE MONTAJE SUPERIOR DE GABINETE DE BATERÍA
22	FA966-56	SOLDADURA DE SOPORTE DE MONTAJE DE GABINETE DE BATERÍA
23	FA966-57	SOLDADURA DE SOPORTE DE COLUMNA DE MONTAJE DE GABINETE DE BATERÍA
24	FA979	EXTREMO DE TERMINAL DE BATERÍA POSITIVO
25	FA980-1	CAJA CUADRADA DE 4" DE CUBIERTA DE RECEPTÁCULO DÚPLEX
26	FA980-2	RECEPTÁCULO HEMBRA DÚPLEX
27	FA980-3	CABLE A TIERRA
28	FA981	EXTREMO DE TERMINAL DE BATERÍA NEGATIVO
29	FJ71003	REGULADOR DE FLUJO
30	FJ71007	CODO GIRATORIO ORFS MACHO X ORFS HEMBRA
31	FJ7669	ABRAZADERA DE MANGUERA DE COLUMNA
32a	P3577	UNIDAD DE POTENCIA CC - ELEVADOR DE ALMOHADILLA
32b	P3579	UNIDAD DE POTENCIA CC - BRAZO DEL ELEVADOR
32c	P3586	UNIDAD DE POTENCIA CC - SPO12
33	N3151Y	CILINDRO HIDRÁULICO
34	FJ7352-3	ADAPTADOR
35	N539	CUBIERTA DE LA PLACA BASE (PARA LOS MODELOS SPOA10 Y SPO10 SOLAMENTE)
36	40271	PERNO ROSCADO COMPLETO DE 5/16"-18NC x 1-1/2"
37	40670	TUERCAS HEXAGONALES DE 5/16"-18NC

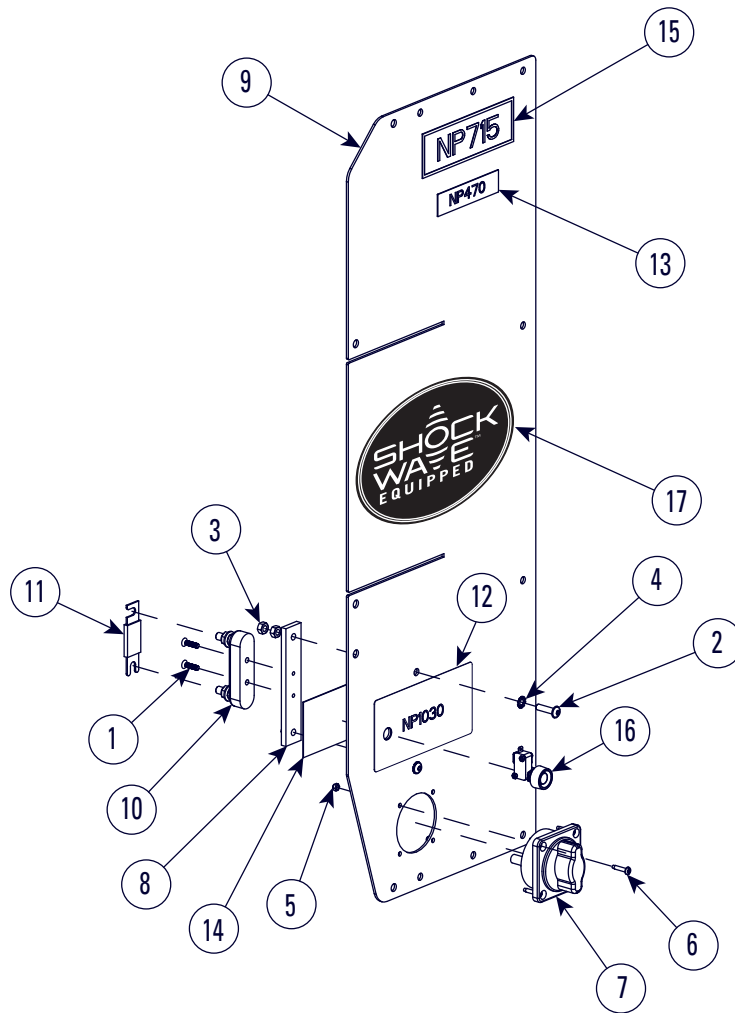
Detalle de Shockwave



Detalle de Shockwave

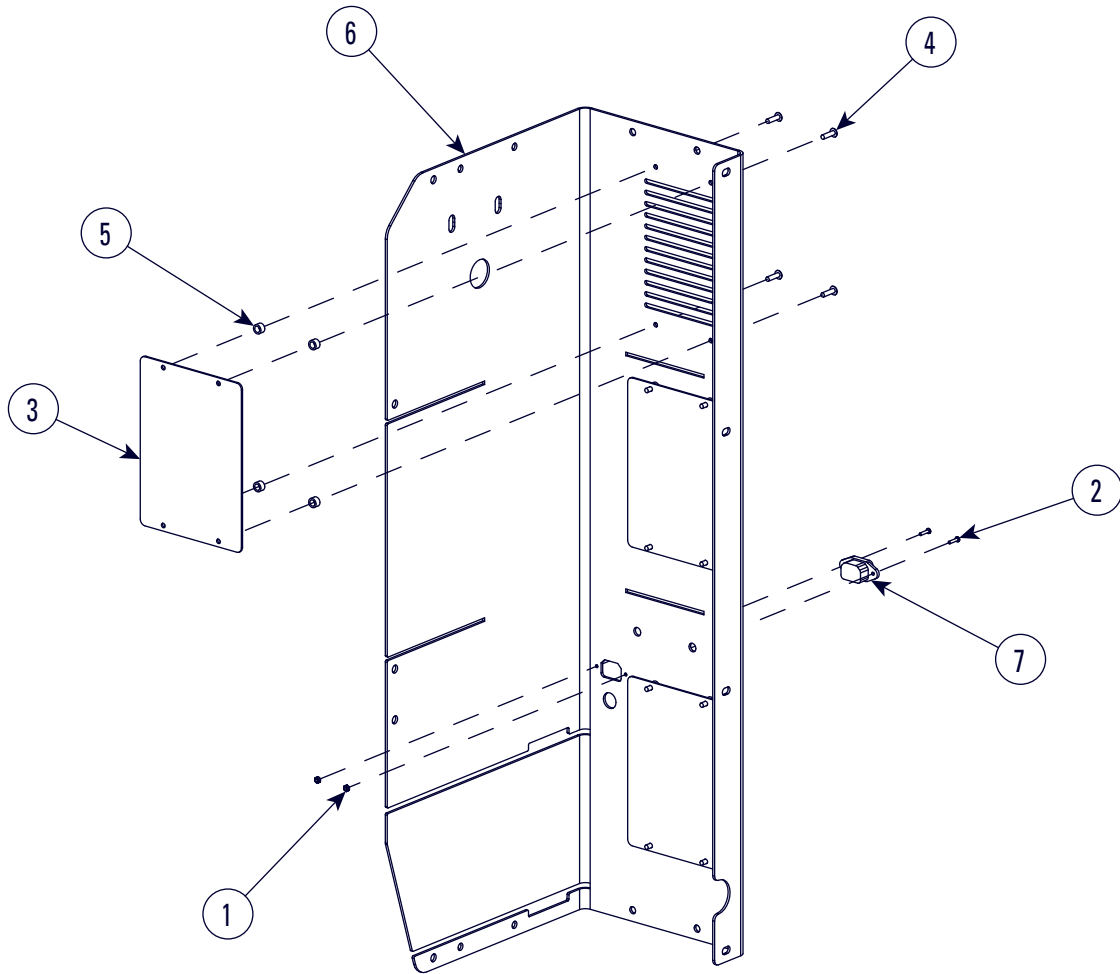
CONTROL CC		
ARTÍCULO	PIEZA NO.	DESCRIPCIÓN
1	40077	Tornillo allen de cabeza hueca hexag. bridados de 1/4"-20NC x 1" de largo, GRADO 2
2	40094	Tornillo allen de cabeza hueca hexag. bridados de 1/4"-20NC x 1" de largo
3	NA	NA
4	40641	TUERCAS DE SEGURIDAD HEXAGONALES BRIDADAS DE 1/4"-20NC, CROMADAS
5	40779	DIENTE EXT. DE 1/4" LW
6	FA7618	DESCONECTAR: CABLE DE FUSIBLE
7	FA7619	FUSIBLE: CABLE DEL CONTACTOR
8	FA7667	BATERÍA- DESCONECTAR CABLE
9	FA7668	BATERÍA- DESCONECTAR CABLE
10	FA966-22	TUERCA A PRESIÓN
11	FA966-34	TAPÓN DE ORIFICIO DE 1-1/4"
12	FA966-37	CONJUNTO DE MARCO IZQUIERDO DE GABINETE DE BATERÍA
13	FA966-39	SOLDADO DE CUBIERTA SUPERIOR DEL GABINETE DE BATERÍA
14	FA966-42	SOLDADO DE CUBIERTA SUPERIOR DEL GABINETE DE BATERÍA
15	FA966-45	CUBIERTA INFERIOR DELANTERA DEL GABINETE DE BATERÍA
16	FA966-46	CUBIERTA INFERIOR DELANTERA DEL GABINETE DE BATERÍA
17	FA966-48	CONJUNTO DE ESTANTE INFERIOR DE GABINETE DE BATERÍA
18	FA986-1	MARCO DERECHO DE GABINETE DE BATERÍA
19	FA966-50	CONJUNTO DE CUBIERTA SUPERIOR DELANTERO DEL GABINETE DE BATERÍA
20	FA966-58	SOLDADURA DE ESTANTE DE GABINETE DE BATERÍA
21	FA970	ARNÉS DEL CONTACTOR
22	FA971	ARNÉS SUPERIOR
23	FA978	DESCONECTAR ARNÉS
24	FA982	CABLE A TIERRA
25	FA966-60	TAPÓN DEL ORIFICIO TRANSPARENTE

Detalle de Shockwave



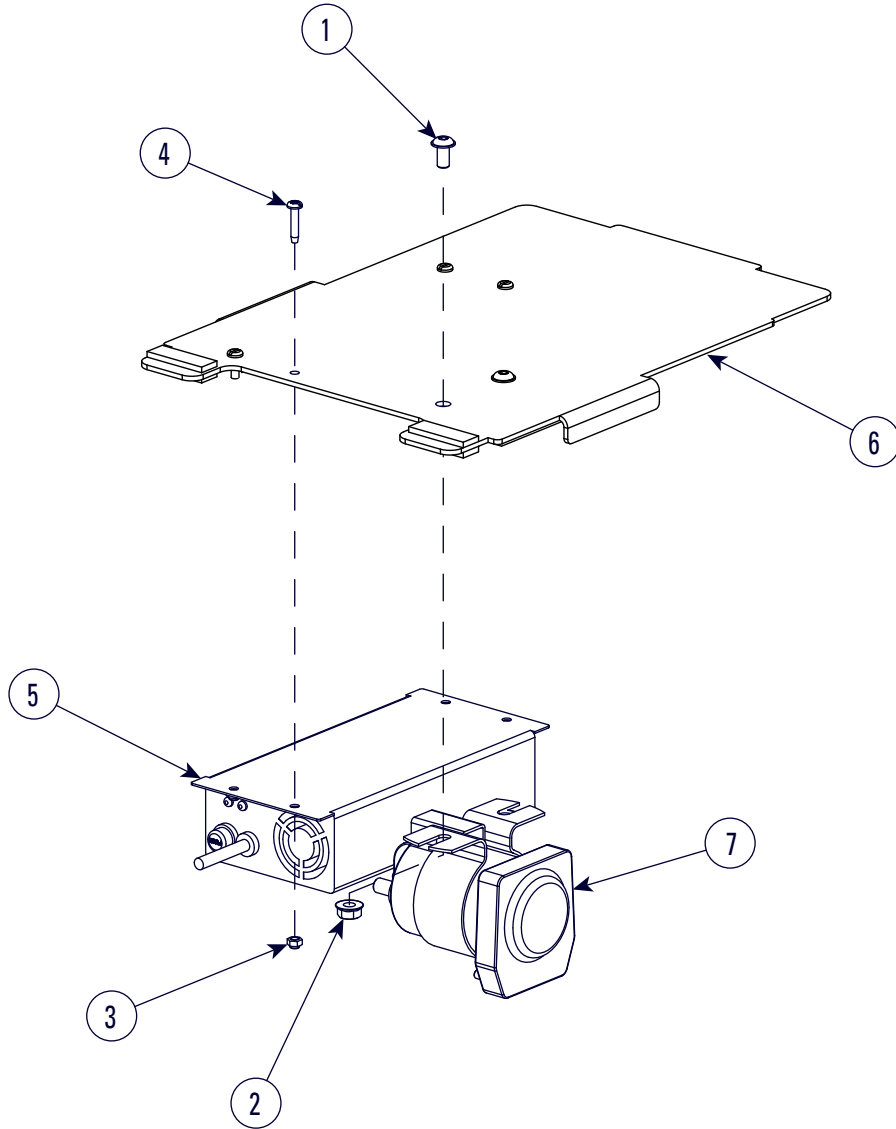
CONJUNTO DE MARCO DERECHO		
ARTÍCULO	PIEZA NO.	DESCRIPCIÓN
1	40004	#10-24 x 5/8 PFHMS, McMASTER-CARR # 90471A315 o similares
2	40077	Tornillo allen de cabeza hueca hexag. bridados de 1/4"-20NC x 1" de largo, GRADO 2
3	40627	TUERCA HEXAGONAL 1/4"-20NC, PLTD
4	40779	DIENTE EXT. DE 1/4" LW
5	450957	TUERCA DE SEGURIDAD DE NYLON N.º 8-32NC
6	40022	Tornillo Phillips N.º 8-32NC x 1/2" de largo
7	FA7958-4	INTERRUPTOR DE DESCONEXIÓN CC
8	FA966-8	SOPORTE DE MONTAJE SOSTÉN DE FUSIBLE
9	FA986-10	MARCO DERECHO DE GABINETE DE BATERÍA
10	FA975	PORTAFUSIBLES
11	FA975-1	FUSIBLE DE 350 AMPERIOS
12	NP1030	PLACA ROTULADORA DE BOTÓN PULSADOR
13	NP470	ETIQUETA DE ADVERTENCIA DE UBICACIÓN DEL MOTOR
14	NP692	PLACA ROTULADORA
	NP1066	PLACA ROTULADORA
15	NP715	PLACA ROTULADORA
16	P1483	CONJUNTO DE INTERRUPTOR DE LIMITACIÓN
17	NP1067	DECAL SHOCKWAVE

Detalle de Shockwave



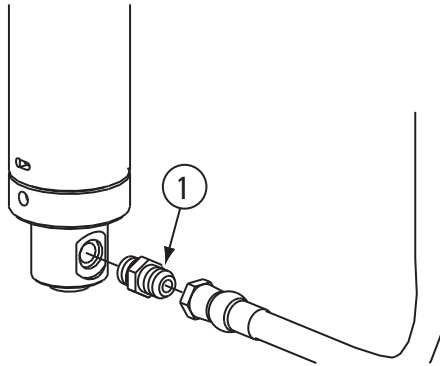
CONJUNTO DE MARCO IZQUIERDO		
ARTÍCULO	PIEZA NO.	DESCRIPCIÓN
1	41628	TUERCA DE INSERTO DE NYLON N.º 4-40 MMC N.º90633A005
2	796443	PHMS, #4-40 x 1/2 DE LARGO, CROMADO
3	FA966-17	PANTALLA PROTECTORA
4	FA966-18	REMACHE DE CABEZA CIRCULAR
5	FA966-21	ESPACIADOR
6	FA966-52	CONJUNTO DE MARCO IZQUIERDO DE GABINETE DE BATERÍA
7	FA983	CABLE DE CORRIENTE INTERNO DEL CARGADOR

Detalle de Shockwave



CONJUNTO DE ESTANTE INFERIOR		
ARTÍCULO	PIEZA NO.	DESCRIPCIÓN
1	40094	Tornillo allen de cabeza hueca hexag. bridados de 1/4"-20NC x 1" de largo
2	40641	TUERCAS DE SEGURIDAD HEXAGONALES BRIDADAS DE 1/4"-20NC, CROMADAS
3	450957	Tuerca de Bloqueo de Nylon #8-32NC
4	40022	Tornillo Phillips N.º 8-32NC x 1/2" DE LARGO
5	FA7958-48	CARGADOR 5A DE 24V
6	FA966-58	SOLDADURA DE ESTANTE DE GABINETE DE BATERÍA
7	FA976	CONTACTOR CC

Detalle del Adaptador de la Manguera del Cilindro



ELEMENTO	DESCRIPCIÓN	N.º DE PIEZA
1.	Adaptador recto.....	FJ7352-3

**Sede principal, Rotary
World**

2700 Lanier Drive
Madison, IN 47250, Estados
Unidos
www.rotarylif.com

**Información de contacto para
Norteamérica**

Soporte técnico:
t 800.445.5438
Fax 800.578.5438
Correo electrónico userlink@rotarylif.com
Ventas: t 800.640.5438
Fax 800.578.5438
Correo electrónico userlink@rotarylif.com

Información de contacto en el mundo

Oficinas centrales en el mundo/EE. UU. 1.812.273.1622
Canadá: 1.905.812.9920
Oficinas centrales en Europa/Alemania: +49,771.9233,0
Reino Unido:+44.178.747.7711
Australasia: +60,3.7660,0285
América Latina/Caribe: +54,3488.431,608
Oriente Medio/África del norte: +49,771.9233,0

© Vehicle Service GroupSM

Impreso en los Estados Unidos,
Todos los Derechos Reservados.
A menos que se indique lo contrario,
ROTARY, y todas las otras marcas
registradas son propiedad de Dover
Corporation y sus afiliados.





SP012

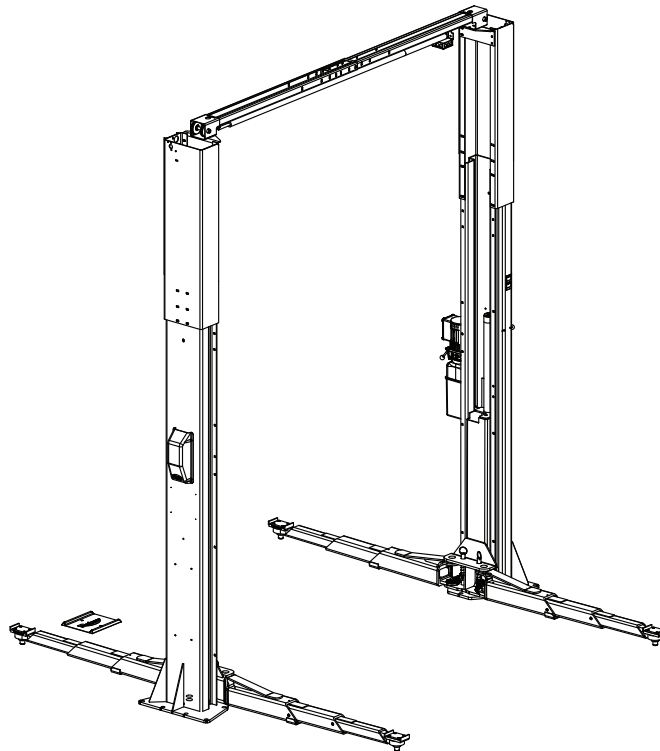
Standard/Hummer/Sprinter

Élévateur d'engagement de châssis avec bras oscillant
montés par deux montants de surface Inclut les modèles Shockwave™

Standard (Séries 700) Capacité : 12, 000 livres.

Hummer (Séries 7W0) Capacité : 12, 000 livres.

Sprinter (Séries 7A0) Capacité : 9, 000 livres.



RÉPARTITION DES PIÈCES

IMPORTANT : Lors de commandes de pièces ou de demandes de service, toujours donner le numéro exact du modèle et le numéro de série de l'unité de puissance. Le numéro de modèle est indiqué sur la plaque signalétique attachée à la colonne du module d'alimentation. Le numéro de série est situé sur le côté de l'unité d'alimentation.

Date d'installation _____

Installation dans la baie # _____

DOSSIER PROPRIÉTAIRE
Complétez les informations à droite et conservez-les dans un endroit sûr.

de série de l'unité d'alimentation _____

de modèle de l'unité d'alimentation _____

Série de l'élévateur _____

Modèle de l'élévateur _____

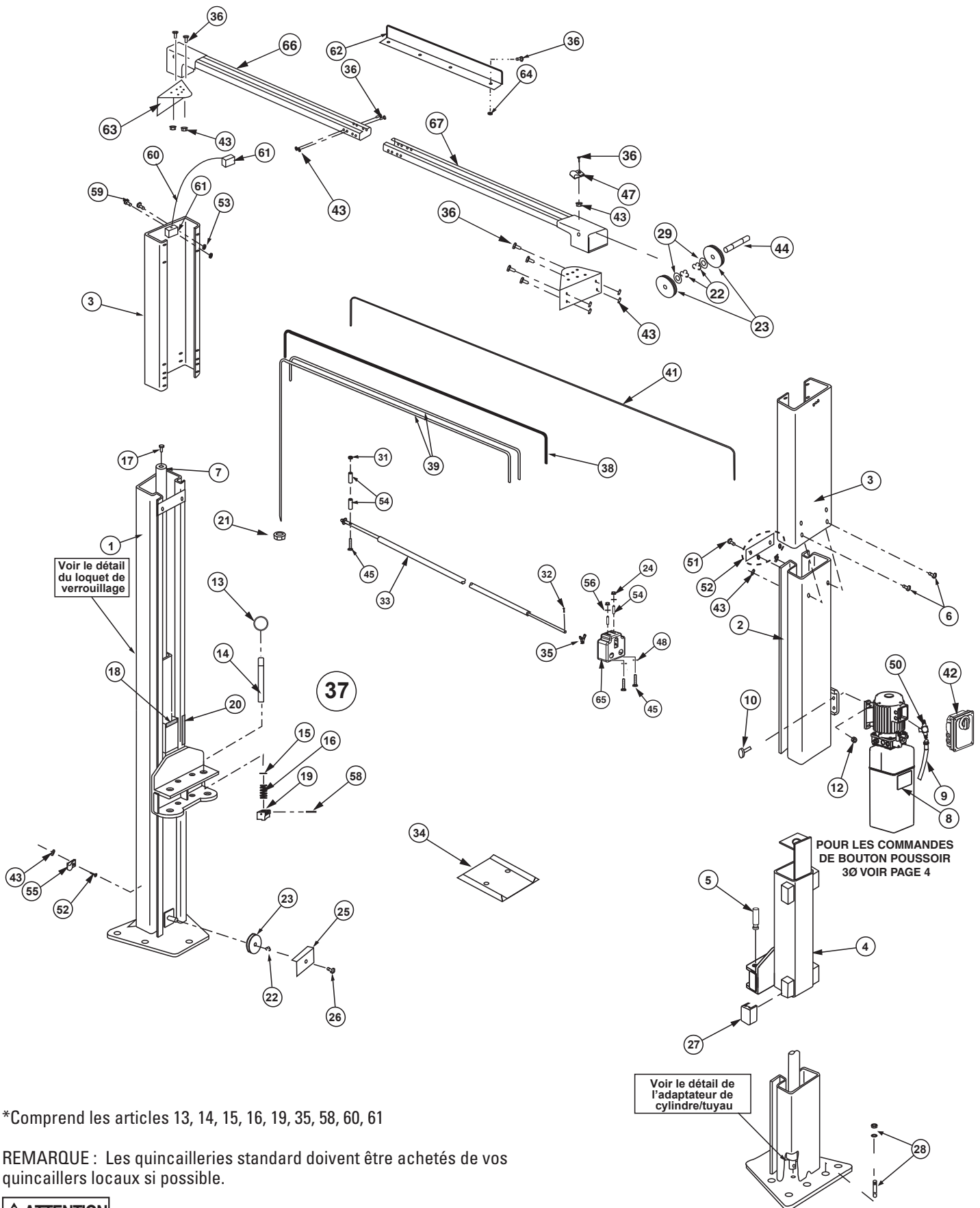
REMARQUE : Pour le remplacement des pièces - voir votre distributeur de pièces Rotary le plus proche.



1	C.G. Ensemble soudé de colonne	N754
2	C.D. Ensemble soudé de colonne	N757
3	Extension de colonne	
	MODÈLE de plafond bas (séries 700/7A0/7T0)	N495
	MODÈLE de hauteur standard (séries 700/7A0/7T0)	N477
	MODÈLE EH-1 (TOUTES les séries 7XX)	N478
	MODÈLE EH-2 (TOUTES les séries 7XX)	N479
	MODÈLE EH-3 (TOUTES les séries 7XX)	N4116
4	Ensemble soudé de l'étrier du châssis	N826
5	Goupille de bras	N2154
6	Boulon de châssis 3/8"-16NC x 1"	N/A
7	Vérin hydraulique	
	Élévation 68"	N380
	Élévation 71"	N382
8	Bloc d'alimentation	
	MONOPHASÉ	P3391
	MONOPHASÉ 50Hz.	P3575
	MONOPHASÉ 4 HP	P3500
	TRIPHASÉ	P3395
	575 Volts	P3360
9	Tuyau d'unité d'alimentation	FJ837
10	HHCS à bride 5/16"-18NC x 1-1/2"	40509
11	NA	NA
12	Écrou hexagonal de blocage à bride 5/16"-18NC	40678
13	Poignée de goupille d'activateur	FJ7985-1
14	Goupille d'activateur	N121-1
15	Goupille de retenue	N119-3
16	Ressort de retenue de bras	FJ7656-2
17	Vis de purge (spécifiez le fabricant)	2 requis
18	Pare-chocs de châssis	FJ7391-2
19	Panneau de retenue de bras	N2121
20	Pare-chocs d'approche (porte-18" Lg - 2 requis)	FJ7391-1
21	Écrou auto freiné en nylon hexagonal 5/8"-11NC	40743
22	Truarc # 5304-75 Klipring pour arbre 3/4"	41411
23	Poulie	N417-1
24	Écrou hexagonal de Zinc 1/4"-20NC	40627
25	Couverture de poulie	N119-1
26	1/4"-20NC x 3/8" Lg. PHMS plaqué (2 pièces)	40063
27	Bloc coulissant	FJ7360
28	Ancrage à béton 3/4" (14 requis)	FJ7380
29	Bague 1-1/2" O.D. x .760-.770" I.D. x .045"	41388
30	N/A	N/A
31	1/4"-20NC contre-écrou auto freiné	41423
32	1/8" x 1" Lg. Goupille fendue (3Ø seulement)	41200
33a	Assemblage de barre de commutation 1Ø / 3Ø avec bouton-poussoir	N467
	Assemblage de barre de commutation 3Ø	N434
33b	Assemblage de barre de commutation (série 7W0) 1Ø / 3Ø avec bouton-poussoir	N464
	Assemblage de barre de commutation (série 7W0) 3Ø	N466
34	Trousse du centreur de positionnement de roues	FF729
35	Assemblage d'actionneur (3Ø seulement)	N432-5
36	HHCS à brides longs 3/8"-16 NC x 3/4"	40124
37*	Trousse de rétention de bras (1 bras)	*N2148

38	Tuyau suspendu	
	MODÈLE de plafond bas (séries 700/7A0/7T0)	FJ839
	MODÈLE de plafond standard (série 700/7A0/7T0)	FJ843
	MODÈLE EH-1 (TOUTES les séries 7XX)	FJ844
	MODÈLE EH-2 (TOUTES les séries 7XX)	FJ845
	MODÈLE EH-3 (TOUTES les séries 7XX)	N3159
39	Câbles d'égalisation	
	Modèle de plafond bas (séries 700/7A0/7T0)	N390
	Modèle de plafond standard (série 700/7A0/7T0)	N387
	MODÈLE EH-1 (TOUTES les séries 7XX)	N388
	MODÈLE EH-2 (TOUTES les séries 7XX)	N389
	MODÈLE EH-3 (TOUTES les séries 7XX)	N3158
40	N/A	N/A
41	Câble du loquet de Verrouillage	
	Standard	FJ7600
	MODÈLE EH-3 (TOUTES les séries 7XX)	N629
42	Boîtier du condensateur	FA7147-1
	Plaque de couvercle du boîtier de condensateur	FA7366-1
	Commutateur à tambour	FA7364
	Levier du commutateur à tambour	FA7364-1
	M5 x 45 PHMS plaqué	41672
43	Écrou de blocage à bride 3/8"-16NC	40664
44	Arbre de poulie	FJ7444-8
45	HHCS Grade 5, 1/4"-20NC x 2-3/4"	40114
46	Guide du Câble du loquet de Verrouillage	N69
47	Attache de tuyau	N383
48	Rondelle plate 1/4"	40795
49	PHMS 5/16"-18NC x 3/8" (6 requis/Colonne)	40227
50	Raccord en T	FJ7668
51	3/8"-16NC x 2-1/2" Lg. Boulon de châssis	40183
52	Trousse de barre de liaison	N1243
	Barre de liaison	N1243-1
	Entretoise	N1162-2
53	Écrou de blocage à bride 1/4"-20NC	40641
54	Entretoises 3/4"	FJ7871
55	3/8"-16NC x 3/4" Lg. Boulon de châssis	40696
56	Rondelle de frein à dents externes de 1/4"	40779
57	Rondelle de frein à dents externes de 3/8"	40845
58	Goupille à ressort-1/4" dia. x 1-1/2" Lg. (Inoxydable)	14427
59	HHCS Grade 5, 1/4"-20NC x 1"	40108
60	Guide de Câble	N618
61	Support d'extrémité de câble	N619
62	Angle Raidisseur (Série 700/7A0/7T0)	N417-3
	Angle Raidisseur (Série 7W0)	N463
63	Support de montage de colonne	N440
64	Contre-écrou à bride 3/8"-16NC	40664
65	1Ø Assemblage de l'interrupteur de fin de course	N413
	3Ø Assemblage de l'interrupteur de fin de course	N412
66	C.G. Assemblage soudé de la suspension (extérieur)	
	(Séries 700/7A0/7T0)	N480-1
	(Séries 7W0)	N493-1
67	C.D. Assemblage soudé de la suspension (intérieure)	
	(Séries 700/7A0/7T0)	N481-1
	(Séries 7W0)	N494-1

Séries SP012 700

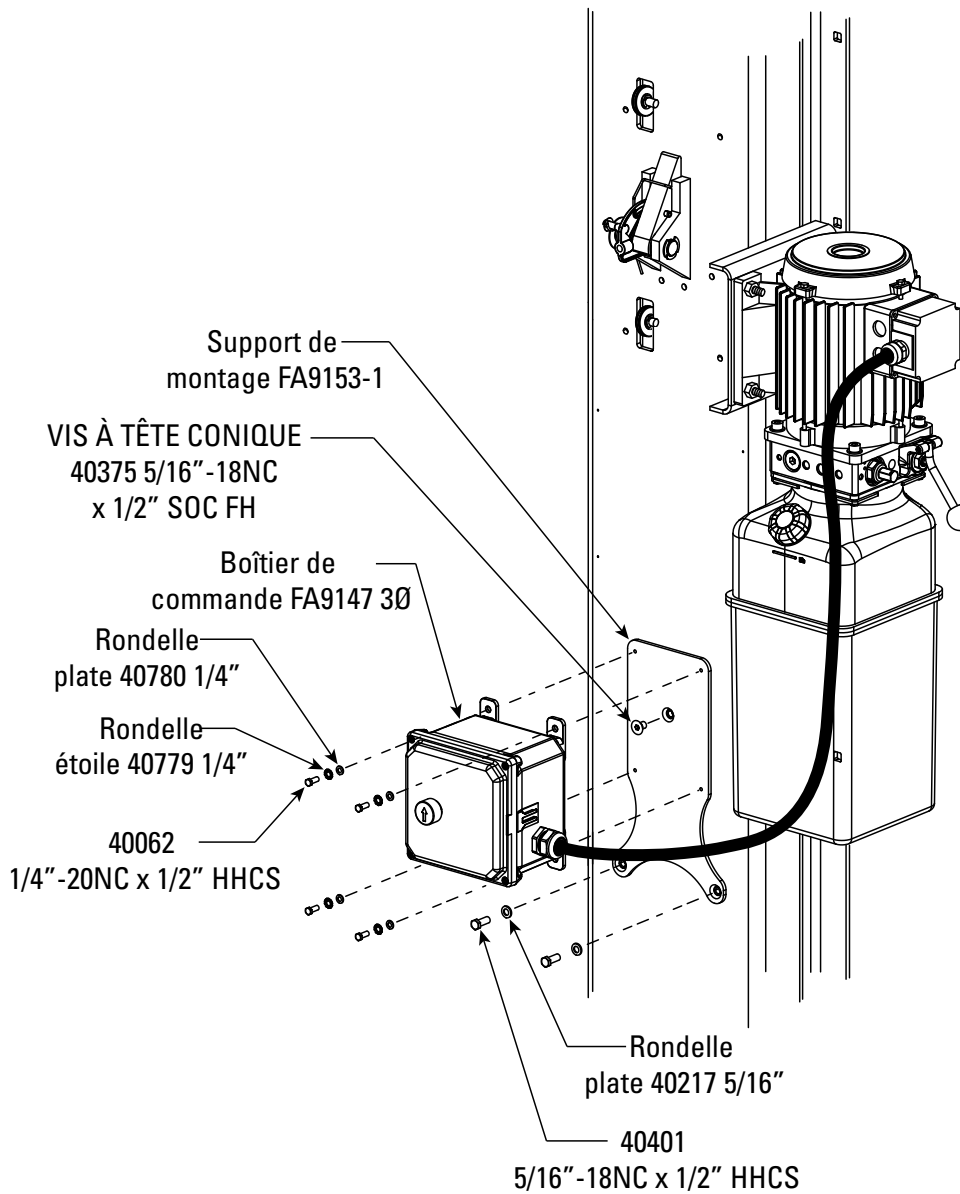


*Comprend les articles 13, 14, 15, 16, 19, 35, 58, 60, 61

REMARQUE : Les quincailleries standard doivent être achetées de vos quincaillers locaux si possible.

ATTENTION Il faut prendre soin d'utiliser des quincailleries égales à celles spécifiées dans cette liste. (Si le grade n'est pas spécifiée, utilisez le grade 2 au minimum.)

UNITÉ D'ALIMENTTION 3Ø

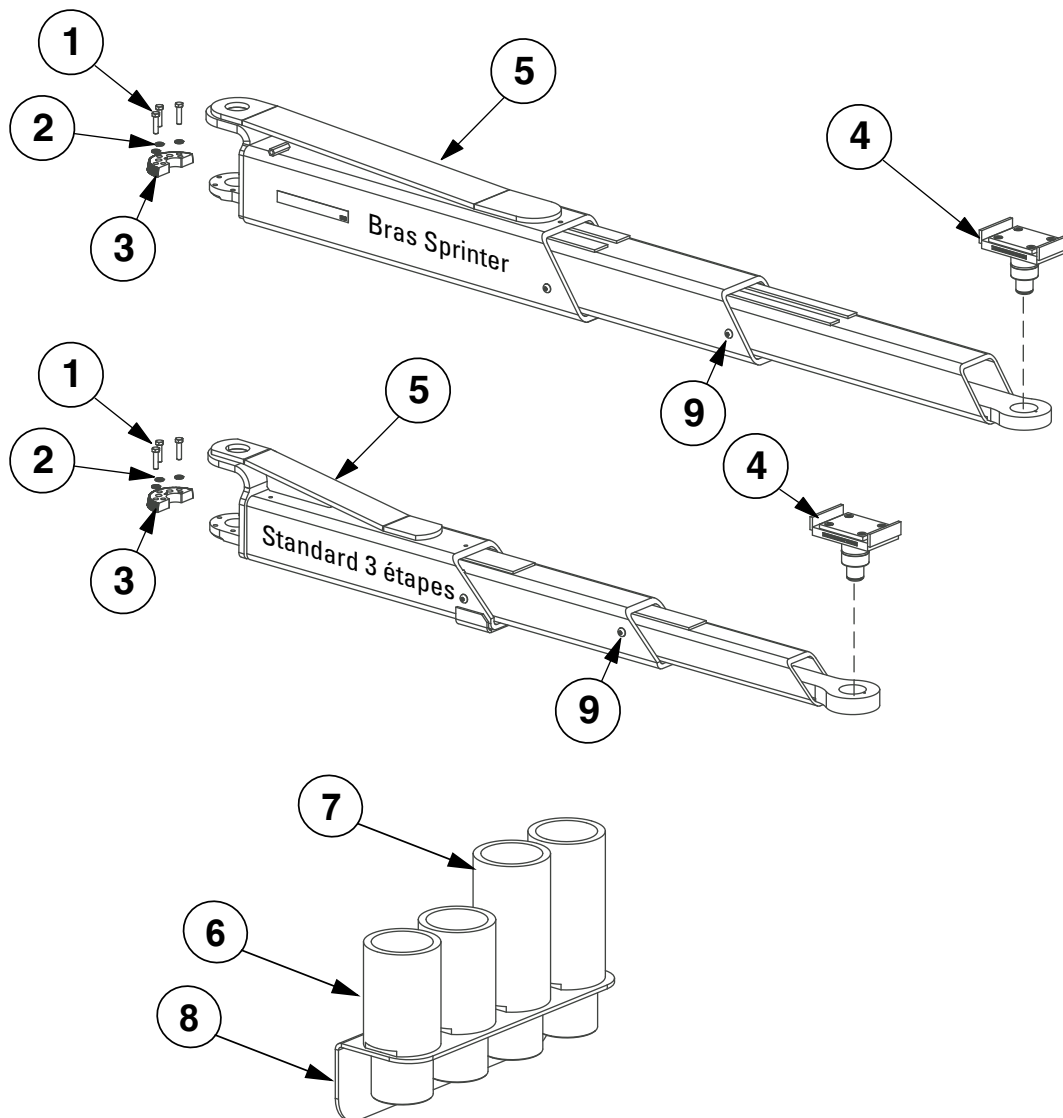


FA9147 Comprend des articles :

FA9147-1	Boîtier de boîte de contrôle avec joint 3Ø
FA9147-2	25 AMP Contacteur, 3 pôles avec bobine de 480 volts GE CR553AB3CAA
FA9147-6	Bobine de contacteur DB1AB 208-240 Volt pour contacteur GE CR553A
FA9147-8	Échanger le Bouton-poussoir Momentané avec le Bloc de Contact
FA9147-9	Cordon 600 Volt à 4 fils de 42" de long avec bornes à annea

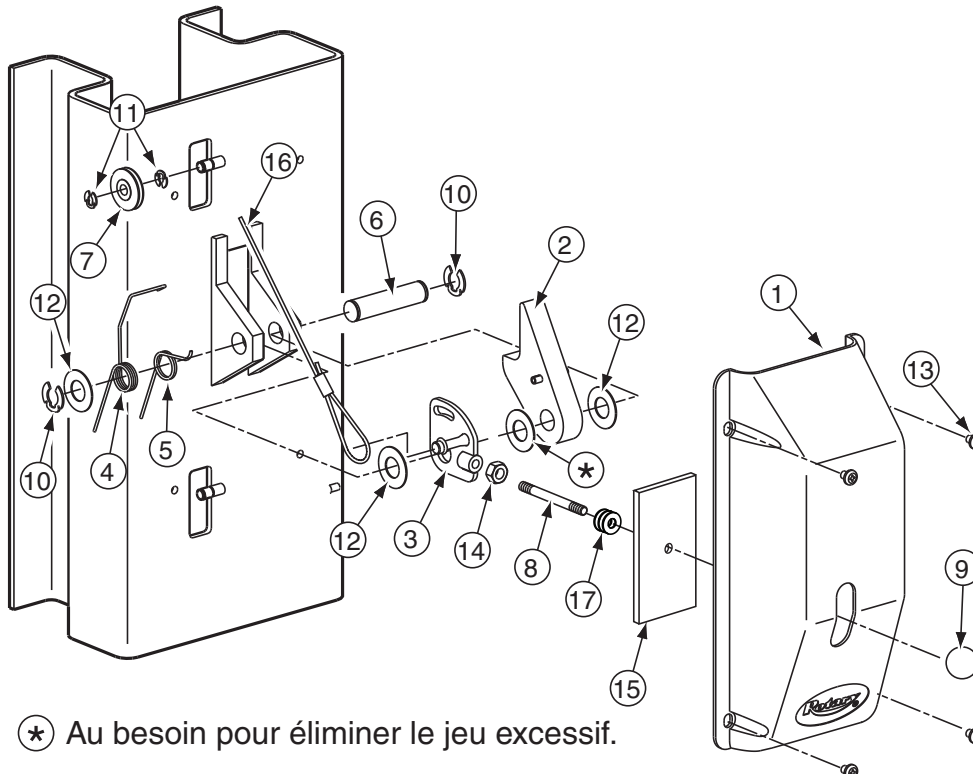
FA9147-12	Goupille GE PB1AD de bobine de 550-600 volts pour les élévateurs de 575 volts seulement
-----------	---

Série Sprinter 7A0/Série Hummer 7W0/Série 3 Étapes 7T0



- | | | |
|----|---|----------|
| 1. | 3/8"-16NC x 1-1/2" HHCS Grade 5..... | 40200 |
| 2. | 3/8" Rondelles ressort..... | 40818 |
| 3. | Dispositif de retenue | N2122 |
| 4. | Adaptateur | FJ6214 |
| 5. | Bras | |
| | Séries 7A0 (Bras Sprinter) | N2272 |
| | Séries 7T0 (Bras standard à 3 étapes) | N2273 |
| | Séries 7W0 (Bras standard à 3 étapes) | N2273 |
| 6. | 3-1/2" (90mm) Extension de l'adaptateur..... | FJ6171-1 |
| 7. | 5-1/4" (130mm) Extension de l'adaptateur..... | FJ6171-2 |
| 8. | Support d'adaptateur | FJ6127 |
| 9. | Boulon d'arrêt..... | N2264-15 |

Détail du Loquet de verrouillage (Colonne de droite)

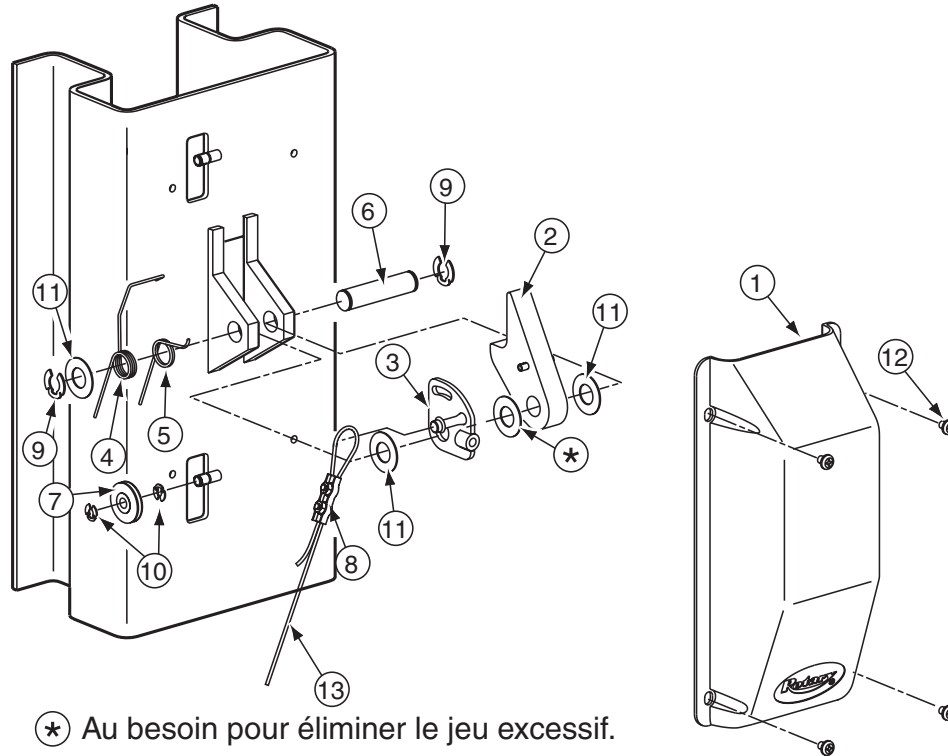


ARTICLE DESCRIPTION

PIÈCE#

1. Couvert latérale du contrôle	FJ7452
2. Loquet de verrouillage	N615
3. Plaque de contrôle	FJ7594-2
4. Ressort.....	FJ7566-10
5. Ressort.....	FJ7382-9
6. Arbre du loquet de verrouillage	FJ7382-34
7. Loquet de verrouillage de poulie.....	FJ7322
8. Poignée.....	FJ7382-18
9. Poignée boule.....	FC134-91
10. Truarc Klipring #5304-75 pour 3/4" Arbre.....	41411
11. Truarc Klipring #5304-37 pour 3/8" Arbre.....	41410
12. 1-1/2" O.D. x 3/4" I.D. x .045" Mach. Bague	41388
13. 5/16" - 18NC x 3/8" Lg. PHMS.....	40227
14. 3/8" - 16NC Écrou hexagonal de blocage.....	40658
15. Couvercle de fente	N617
16. Câble du loquet de Verrouillage	FJ7600
17. 3/8" Rondelle plate	40820

Détail du Loquet de verrouillage (Colonne de gauche)

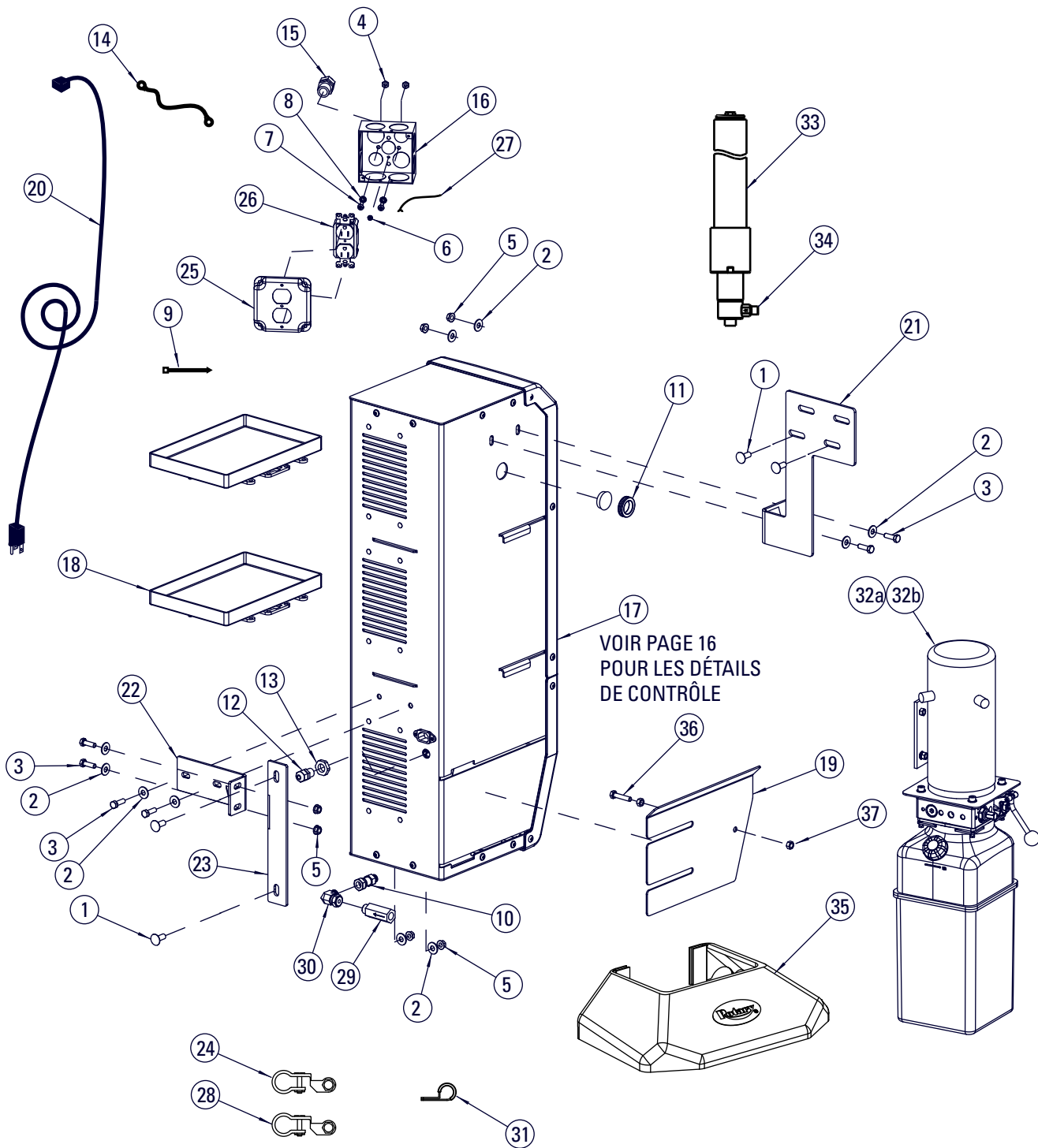


ARTICLE DESCRIPTION

PIÈCE#

1. Couverture de loquet	FJ7451
2. Loquet de verrouillage	N615
3. Plaque de contrôle	FJ7594-2
4. Ressort.....	FJ7566-10
5. Ressort.....	FJ7382-9
6. Arbre du loquet de verrouillage	FJ7382-34
7. Loquet de verrouillage de poulie.....	FJ7322
8. Serre-câble du câble de verrouillage	N63-1
9. Truarc Klipring #5304-75 pour 3/4" Arbre.....	41411
10. Truarc Klipring #5304-37 pour 3/8" Arbre.....	41410
11. 1-1/2" O.D. x 3/4" I.D. x .045" Mach. Bague	41388
12. 5/16"-18NC x 3/8" Lg. PHMS.....	40227
13. Câble du loquet de Verrouillage	FJ7600

Détail du Shockwave

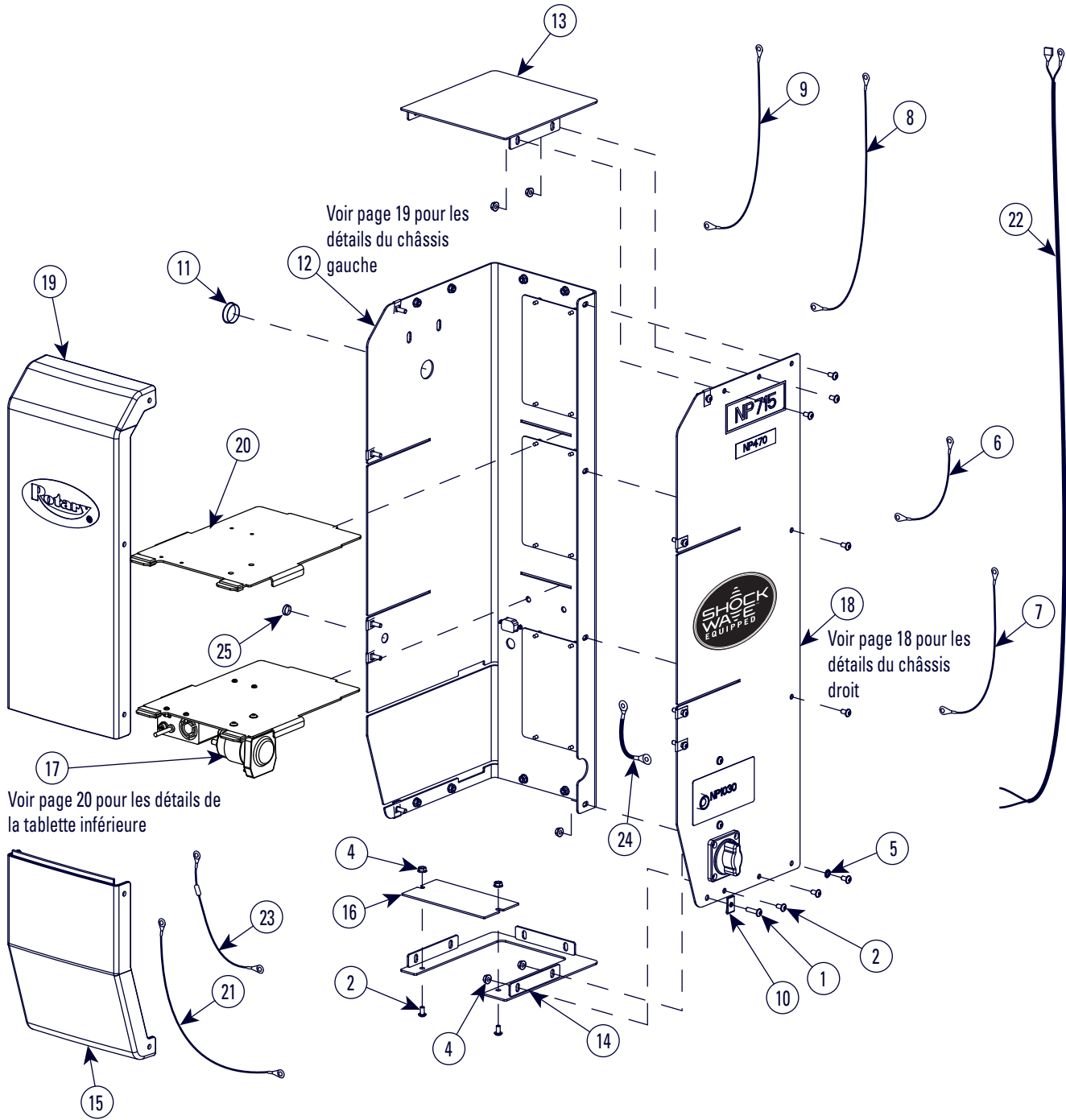


MONTAGE DE CONTRÔLE DC

Détail du Shockwave

ARTICLE	N° DE LA PIÈCE	DESCRIPTION
1	40167	3/8"-16NC x 1" Lg. CHASSIS BOULON, Gr. 5, PLAQUÉ
2	40217	5/16" USS RONDELLE PLATE PLAQUÉE
3	40221	HHCS 5/16"-18NC x 1" Lg, GRADE 5 PLAQUÉ
4	40650	ÉCROU HEXAGONALE #12-24NC, PLAQUÉ
5	40678	ÉCROU À BRIDE HEXAGONALE WZLOCK 5/16"-18NC, PLAQUÉ
6	FA997-1	#10-32 x 1/4" Lg. WHSFTS HEXAGONAUX, PLAQUÉS, DE COULEUR VERTES
7	41526	#12-24NC x 3/4" Lg. PHIL. PHMS, PLAQUÉ
8	41527	RONDELLE DE FREIN À DENTS EXTERNES, PLAQUÉE #12
9	629888	ATTACHE DE CÂBLE TY-RAP, NYLON, NOIR, 11 1
10	EFX60010319	ADAPTATEUR, FILET DROIT/ROTATIF (ORB/ORFS 6X6)
11	FA7180-31	PASSE-FIL
12	FA7189-14	BRIDE DE CORDON 3/8" NPT
13	FA7189-15	CONTRE-ÉCROU 3/8" NPT
14	FA7616	BATTERIE-CÂBLE DE LA BATTERIE
15	FA7958-28	BRIDE DE CORDON
16	FA997	BOITE DE JONCTION
17	FA966	MONTAGE DE CONTRÔLE DC
18	FA966-16	PLATEAU DE BATTERIE
19	FA966-47	BOUCLIER ANTI-ÉCLABOUSSURES À 2 POSTES DU CABINET DE BATTERIE
20	FA966-51	CORDON D'ALIMENTATION UNIVERSEL DE 10 PI (NEMA 5-15P À IEC320C13)
21	FA966-55	ASSEMBLAGE SOUDÉ DU SUPPORT DE MONTAGE SUPÉRIEUR DU CABINET DE BATTERIE
22	FA966-56	ASSEMBLAGE SOUDÉ DU SUPPORT DE MONTAGE DU CABINET DE BATTERIE
23	FA966-57	ASSEMBLAGE SOUDÉ DE LA COLONNE DE MONTAGE DU CABINET DE BATTERIE
24	FA979	FIN DE BORNE DE BATTERIE POSITIVE
25	FA980-1	COUVERCLE DE BOÎTE CARRÉE DE 4" DU RECEPTACLE DUPLEX
26	FA980-2	RÉCEPTACLE FEMELLE DUPLEX
27	FA980-3	FIL DE GARDE
28	FA981	FIN DE BORNE DE BATTERIE NÉGATIVE
29	FJ71003	RÉGULATEUR DE DÉBIT
30	FJ71007	COUDE PIVOTANT MALE ORFS x FEMELLES ORFS
31	FJ7669	COLLIER DE SERRAGE DU TUYAU DE COLONNE
32a.	P3577	UNITÉ DE PUISSANCE DC - TAMPON DE L'ÉLEVATEUR
32b	P3579	UNITÉ DE PUISSANCE DC - BRAS DE L'ÉLEVATEUR
32c	P3586	UNITÉ DE PUISSANCE DC - SPO12
33	N3151Y	VÉRIN HYDRAULIQUE
34	FJ7352-3	ADAPTATEUR
35	N539	COUVERCLE DE PLAQUE DE BASE (POUR LES MODÈLES SPOA10 ET SPO10 SEULEMENT)
36	40271	HHCS ENTIÈREMENT FILETÉ 5/16"-18NC x 1-1/2"
37	40670	ÉCROU HEXAGONAL 5/16"-18NC

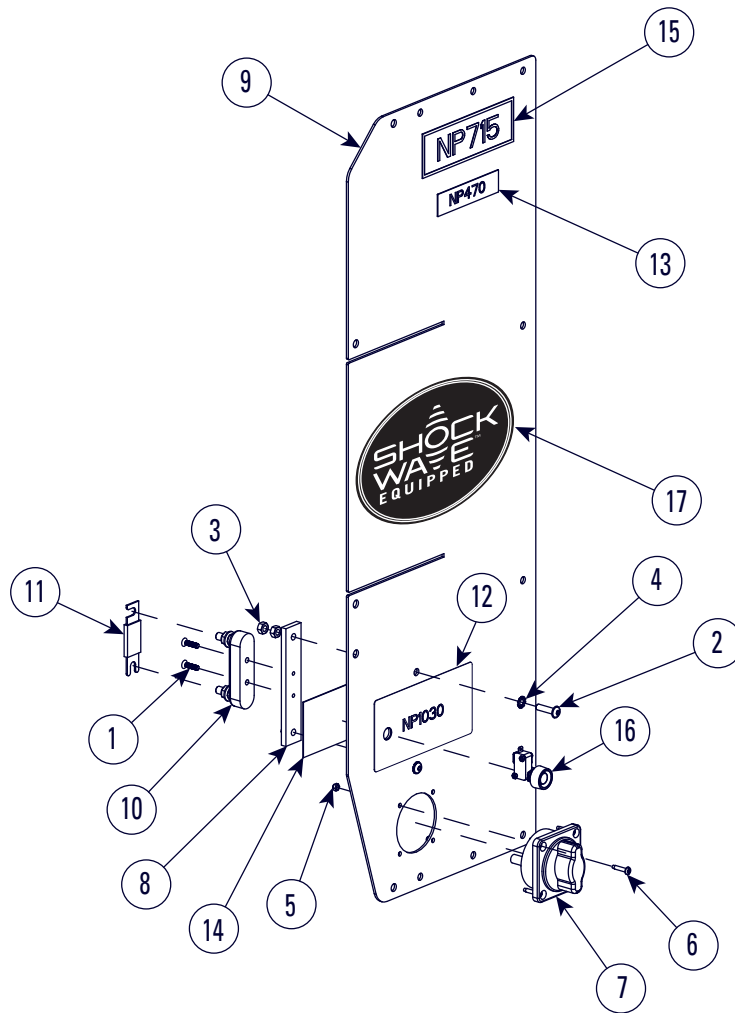
Détail du Shockwave



Détail du Shockwave

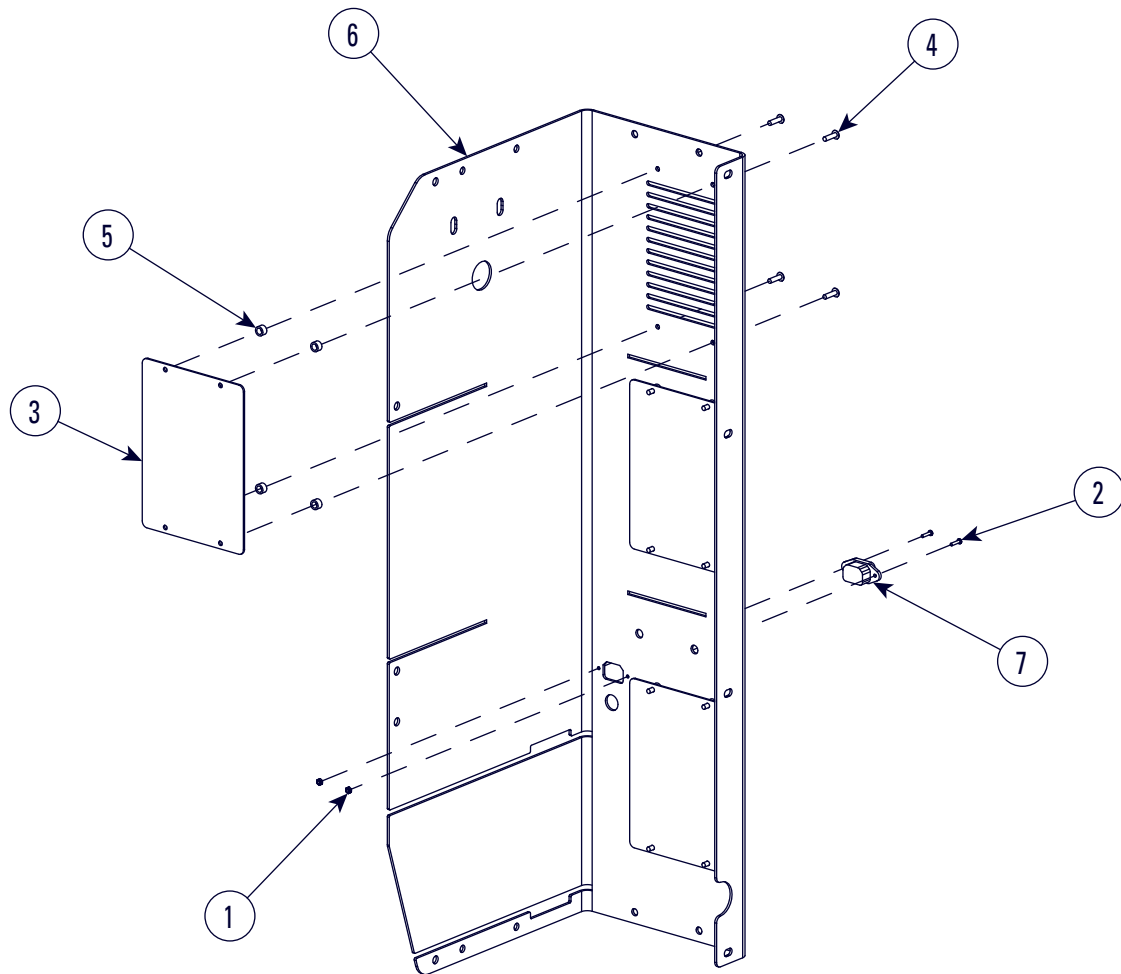
CONTRÔLE DC		
ARTICLE	N° DE LA PIÈCE	DESCRIPTION
1	40077	DOUILLE HEXAGONALE À BRIDE BHCS 1/4"-20NC x 1" Lg, GRADE 2
2	40094	DOUILLE HEXAGONALE À BRIDE BHCS 1/4"-20NC x 1/2"
3	NA	NA
4	40641	ÉCROU À BRIDE HEXAGONALE WZLOCK 1/4"-20NC, PLAQUÉ
5	40779	RONDELLE DE FREIN À DENTS EXTERNES 1/4"
6	FA7618	FUSIBLE DE DÉCONNECTION - CÂBLE
7	FA7619	FUSIBLE - CONTACTEUR DE CÂBLE
8	FA7667	CÂBLE - DÉCONNEXION DE BATTERIE
9	FA7668	BATTERIE-CÂBLE DU MOTEUR
10	FA966-22	ÉCROU À PINCE
11	FA966-34	1-1/4" BOUCHON
12	FA966-37	ASSEMBLAGE DU CHASSIS DE GAUCHE DU CABINET DE BATTERIE
13	FA966-39	ENSEMBLE SOUDÉ DU COUVERCLE SUPÉRIEUR DU CABINET DE BATTERIE
14	FA966-42	ENSEMBLE SOUDÉ DU COUVERCLE INFÉRIEUR DU CABINET DE BATTERIE
15	FA966-45	COUVERCLE DU BAS AVANT DU CABINET DE BATTERIE
16	FA966-46	PETIT COUVERCLE DU BAS DU CABINET DE BATTERIE
17	FA966-48	ASSEMBLAGE DE L'ÉTAGÈRE INFÉRIEURE DU CABINET DE BATTERIE
18	FA986-1	ASSEMBLAGE DU CHASSIS DE DROITE DU CABINET DE BATTERIE
19	FA966-50	ASSEMBLAGE DU COUVERCLE D'EN HAUT AVANT DU CABINET DE BATTERIE
20	FA966-58	SOUDURE D'ÉTAGÈRE DU CABINET DE BATTERIE
21	FA970	HARNAIS DE CONTACTEURS
22	FA971	HARNAIS DE LA SUSPENSION
23	FA978	HARNAIS DE DÉCONNECTION
24	FA982	FIL DE GARDE
25	FA966-60	BOUCHON DE TROU TRANSPARENT

Détail du Shockwave



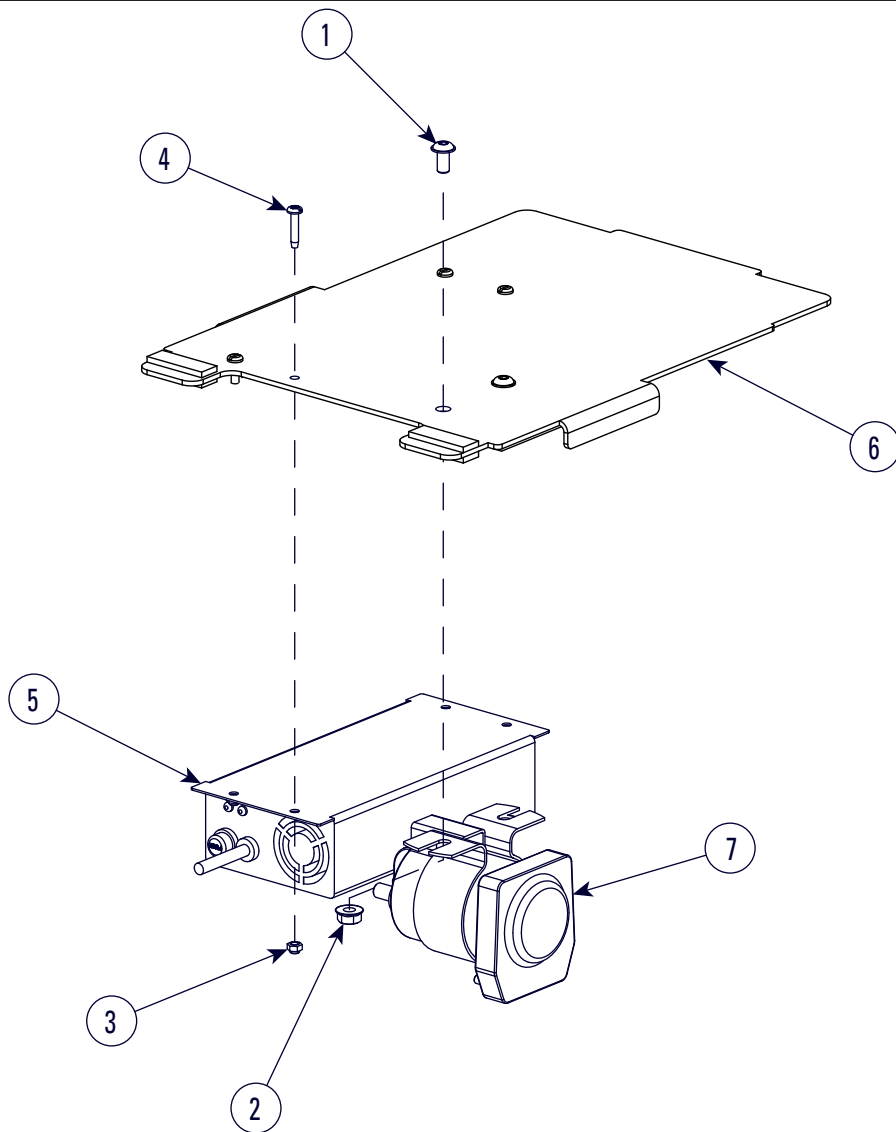
ENSEMBLE CHASSIS DE DROITE		
ARTICLE	N° DE LA PIÈCE	DESCRIPTION
1	40004	#10-24 x 5/8 PFMMS, McMASTER-CARR # 90471A315 ou EQUIVALENT
2	40077	DOUILLE HEXAGONALE À BRIDE BHCS 1/4"-20NC x 1" Lg, GRADE 2
3	40627	ÉCROU HEXAGONALE 1/4"-20NC, PLAQUÉ
4	40779	RONDELLE DE FREIN À DENTS EXTERNES 1/4"
5	450957	CONTRE-ÉCROUS EN NYLON #8-32NC
6	40022	#8-32NC X 1/2" Lg PHMS
7	FA7958-4	INTERRUPTEUR DE DÉCONNEXION DC
8	FA966-8	SUPPORT DE MONTAGE DU PORTE-FUSIBLE
9	FA986-10	CHASSIS DE DROITE DU CABINET DE BATTERIE
10	FA975	PORTE-FUSIBLE
11	FA975-1	FUSIBLE DE 350 AMPÈRES
12	NP1030	PLAQUE SIGNALÉTIQUE DU BOUTON POUSSOIR
13	NP470	ÉTIQUETTE D'AVERTISSEMENT DE LOCALISATION DU MOTEUR
14	NP692	PLAQUE SIGNALÉTIQUE
	NP1066	PLAQUE SIGNALÉTIQUE
15	NP715	PLAQUE SIGNALÉTIQUE
16	P1483	ASSEMBLAGE DE L'INTERRUPTEUR DE LIMITE
17	NP1067	DÉCALQUE SHOCKWAVE

Détail du Shockwave



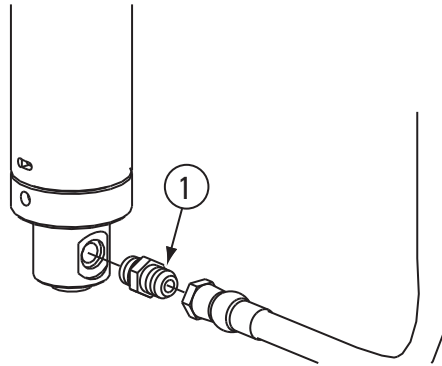
ASSEMBLAGE DU CHASSIS DE GAUCHE		
ARTICLE	N° DE LA PIÈCE	DESCRIPTION
1	41628	#4-40 CONTRE-ÉCROU AUTO FREINÉ EN NYLON MMC #90633A005
2	796443	#4-40 x 1/2 Lg. PHMS, PLAQUÉ
3	FA966-17	BOUCLIER ANTI-ÉCLABOUSSURES
4	FA966-18	RIVET DE TÊTE DE DÔME
5	FA966-21	ENTRETOISE
6	FA966-52	FORMATION DU CHASSIS DE GAUCHE DU CABINET DE BATTERIE
7	FA983	CORDON D'ALIMENTATION INTERNE DU CHARGEUR

Détail du Shockwave



ASSEMBLAGE DE L'ÉTAGÈRE INFÉRIEURE		
ARTICLE	N° DE LA PIÈCE	DESCRIPTION
1	40094	DOUILLE HEXAGONALE À BRIDE BHCS 1/4"-20NC x 1/2"
2	40641	ÉCROU À BRIDE HEXAGONALE WZLOCK 1/4"-20NC, PLAQUÉ
3	450957	CONTRE-ÉCROU EN NYLON #8-32NC
4	40022	#8-32NC x 1/2" LG. PHMS
5	FA7958-48	CHARGEUR 24V 5A
6	FA966-58	SOUDURE D'ÉTAGÈRE DU CABINET DE BATTERIE
7	FA976	CONTACTEUR DC

Détail de l'adaptateur du tuyau du cylindre



ARTICLE	DESCRIPTION	PIÈCE#
---------	-------------	--------

1.	Adaptateur droit.....	FJ7352-3
----	-----------------------	----------

Siège social mondial de Rotary

2700 Lanier Drive
Madison, IN 47250, États-Unis
www.rotarylif.com

Coordonnées pour l'Amérique du Nord

Soutien technique :
Tél. 800.445.5438
Télé. 800.578.5438
e userlink@rotarylif.com
Ventes : Tél. 800.640.5438
Télé. 800.578.5438
e userlink@rotarylif.com

Coordonnées pour partout dans le monde

Siège social mondial au États-Unis : 1.812.273.1622
Canada : 1.905.812.9920
Siège social européen/Allemagne : +49.771.9233.0
Royaume-Uni : +44.178.747.7711
Australasie : +60.3.7660.0285
Amérique latine/Caraïbes : +54.3488.431.608
Moyen Orient/Afrique du Nord : +49.771.9233.0

© Vehicle Service GroupSM

Imprimé aux États-Unis, tous droits réservés. Sauf sur indication contraire ROTARY, et toutes les autres marques de commerce sont la propriété de Dover Corporation et ses sociétés affiliées.

