



World Leader in Lift Productivity

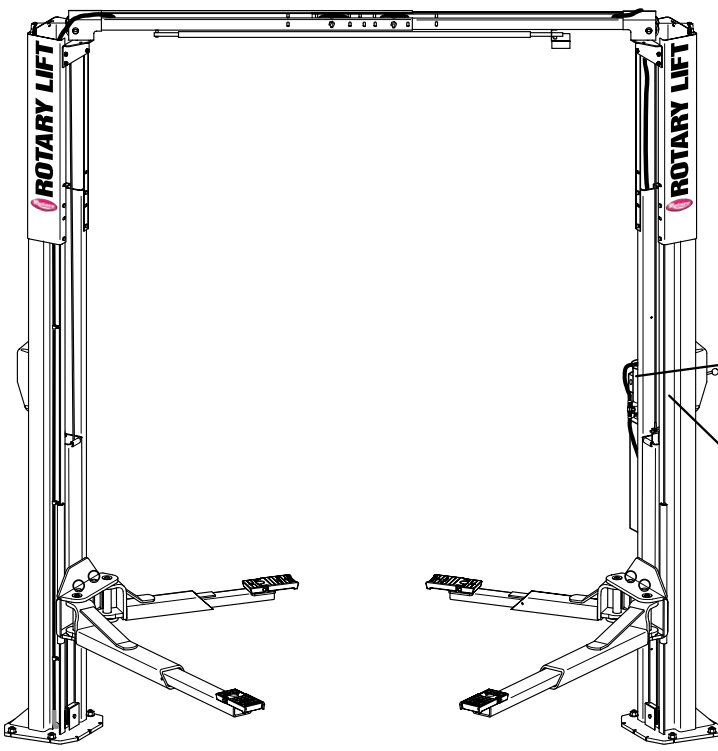
SPOA7, SPOA9, SPO9

(200 Series Lifts)

SPOA7 Capacity 7,000 lbs.

SPOA9 Capacity 9,000 lbs.

SPO9 Capacity 9,000 lbs.



GHS	PT#	_____	N°	_____	
	PH	_____	MAX AMB	_____	
DUTY		_____	INS	_____	
THERMAL PROTECTION		_____			
○		HP	_____	Kw	_____
AMPS		_____	VOLTS	_____	
HZ		_____	RPM	_____	
		IP	_____		
CE		WARNING: MOTOR MUST BE GROUNDED IN ACCORDANCE WITH LOCAL AND NATIONAL ELECTRICAL CODES TO PREVENT SERIOUS ELECTRICAL SHOCKS			

Rotary	IMPORTANT	
	DO NOT REMOVE THIS TAG WARRANTY IDENTIFICATION	
900-445-5438	MADE IN THE USA	
MODEL:	_____	
CAP. LBS:	_____	
SERIAL NUMBER	_____	
MANUFACTURED UNDER ONE OF THESE PATENTS 5009287		
Rotary Lift	A	DOVER COMPANY Madison, IN

PARTS BREAKDOWN

IMPORTANT: When ordering parts or requesting service always give exact model and power unit serial number. Model number is shown on nameplate attached to power unit column. Power unit serial number is located on side of power unit.

OWNERS RECORD
Complete information at right and keep in a safe place.

Date Installed _____

Installed in Bay # _____

Power Unit Serial # _____

Power Unit Model # _____

Lift Serial # _____

Lift Model # _____

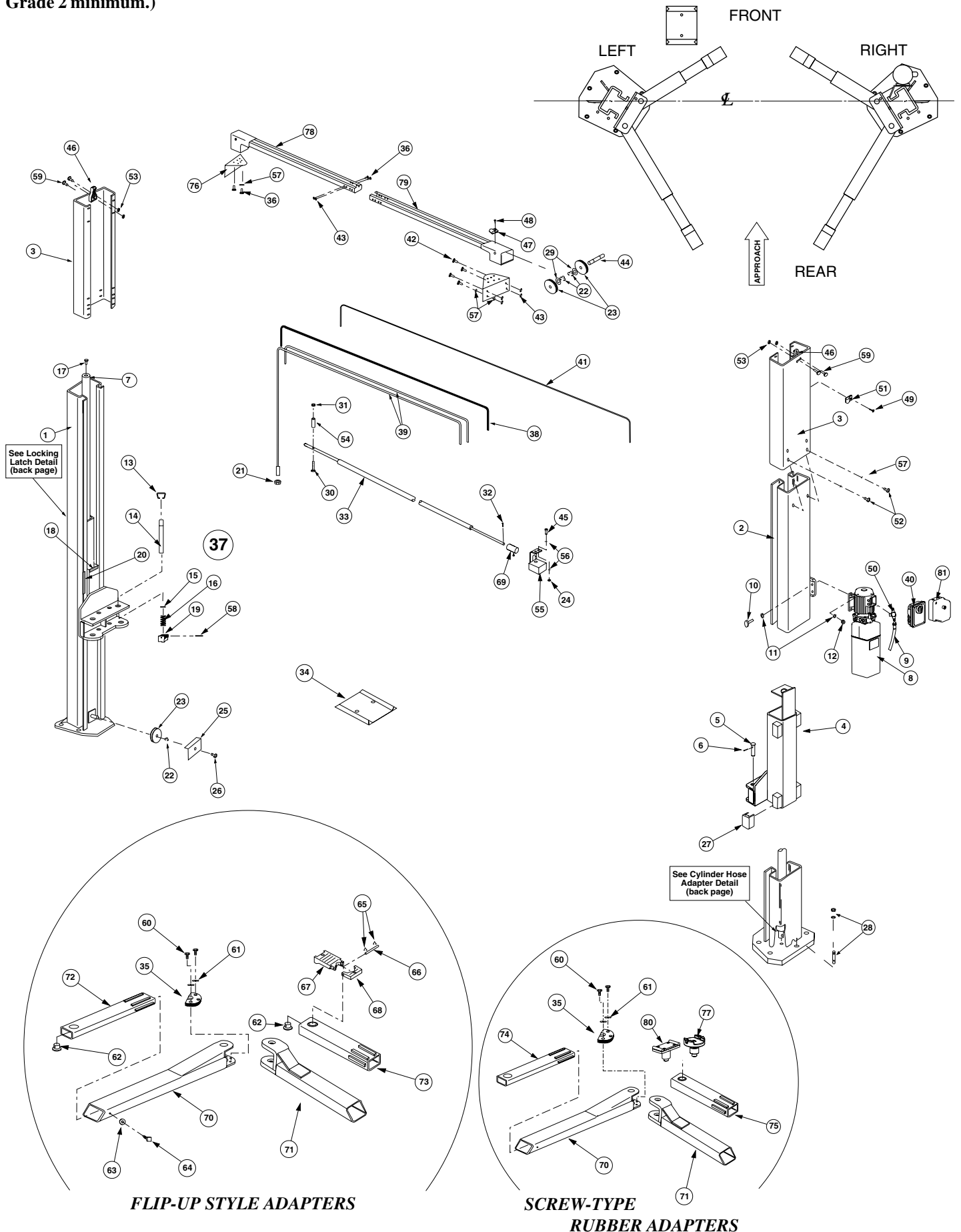
NOTE: For replacement parts -See your nearest Rotary Parts Distributor.

PB 2-2-25
Rev. N 07/30/02

1. L.H. Column Weldment	N719	41. Locking Latch Cable	FJ7594-1
2. R.H. Column Weldment	N729	EH-1 & EH-2 for SPOA7/SPOA9/SPO9	FJ7595-1
3. Column Extension		EH-4 for SPO9	FJ7600
SPOA7 & SPO9	N45	42. 3/8"-16NC x 1" Flanged HHCS	40144
SPOA9	N410	43. 3/8"-16NC Flanged Locknut	40664
EH-1 MODEL SPOA7/SPOA9/SPO9	N46	44. Sheave Shaft	FJ7444-8
EH-2 MODEL SPOA7/SPOA9/SPO9	N47	45. 1/4"-20NC x 3/4" HHCS Grade 5	40099
EH-4 MODEL SPO9	N49	46. Latch Cable Guide	N69
4. Carriage Yoke Weldment	N89	47. Hose Clip (4 req'd-Overhead)	FJ7206
5. Arm Pin	FJ7838	48. #12 Type B x 1/2" Lg. Sl. HWHTS	40057
6. 3/16" x 2" Long Cotter Pin	41250	49. 5/16"-18NC x 3/8" PHMS	40227
7. Hydraulic Cylinder	N342	50. Branch Tee	FJ7668
8. Power Unit		51. Hose Clip (6 req'd-Column)	FJ7499
SPOA7 1Ø 60Hz	*P1052/P752	52. 3/8"-16NC x 1/2" Flanged HHCS	40122
SPOA7 1Ø 50 Hz	*P1055/FA791	53. 1/4"-20NC Flanged Locknut	40641
SPOA7 3Ø	*P1053/P753	54. 3/4" Spacer	FJ7871
SPO9/SPOA9 1Ø 60Hz	*P1002/P702	55. Limit Switch Assembly(use with Control Panel Power Unit)	
SPO9/SPOA9 1Ø 50Hz	*P1089/FA788	For units using less than or equal to 250V	N413
SPO9/SPOA9 3Ø	*P1047/P747	For units using above 250 V	N414
9. Power Unit Hose	FJ837	Limit Switch(use with Control Panel Power Unit)	
10. 5/16"-18NC x 1-1/2" Bolt (Full Thread)	40271	For units using less than or equal to 250V	N413-1
11. 5/16" External Tooth Lockwasher	40854	For units using above 250 V	FJ7979-1
12. 5/16"-18NC Hex Nut	40670	Contactor & Box (use with Drum Switch Power Unit)	
13. Actuator Pin Handle	FJ7985-1	All Voltages	N432
14. Actuator Pin	N121-1	Contactor (use with Drum Switch Power Unit)	
15. Retaining Pin	N119-3	All Voltages	N432-1
16. Arm Restraint Spring	FJ7656-2	56. 1/4" External Tooth Lockwasher	40779
17. Bleeder Screw (Specify Manufacturer)	N/A	57. 3/8" External Tooth Lockwasher	40845
18. Carriage Bumper	FJ7391-2	58. Spring Pin-1/4" dia. x 1-1/2" Lg. (Stainless)	14427
19. 120T Gear Block	FJ7749	59. 1/4"-20NC x 1" HHCS Grade 5	40108
20. Approach bumper	FJ7391-1	60. 3/8"-16NC x 1-1/2" HHCS Grade 5	40200
21. 1/2"-13NC Hex Lock Nut	40703	61. 3/8" Spring Washers	40818
22. Truarc #5304-75 Klipping for 3/4" Shaft	41411	62. Adapter Swivel Pin	FJ79-6
23. Sheave	FJ7116-1	63. 3/8" Internal Tooth Washer	40843
24. 1/4"-20NC Zinc Hex Nut	40627	64. 3/8"-16NC x 5/8" Lg. HHCS Grade 8	40155
25. Sheave Cover	N119-1	65. 3/32" Hog Ring for 1/2" Shaft (8 req'd)	FJ671-6
26. 1/4"-20NC x 3/8" Lg. PHMS Plated (2 pcs.)	40063	66. Adapter Pin	FJ671-3
27. Slider block	FJ7360	67. High Step Adapter	FJ671-1
28. 3/4" Concrete Anchor	FJ7380	68. Low Step Adapter	FJ671-2
29. 1-1/2" O.D. x .760-.770" I.D. x .045" Bushing	41388	69. Actuator Assembly	N433
30. 1Ø 1/4"-20NC x 2" HHCS	40109	70. Rear Outer Arm Weldment	
3Ø 1/4"-20NC x 2-3/4" HHCS	40114	SPOA7	N239-1
31. 1/4"-20NC Insert Locknut	40642	SPOA9	N238-1
32. 1/8" x 1" Lg. Cotter Pin	41200	SPO9	N241-1
33. Switch Bar Assembly		71. Front Outer Arm Weldment	
1Ø	N415	SPOA7	N240-1
3Ø for use with Control Panel	FJ7613-2	SPOA9	N237-1
3Ø for use with Drum Switch	N434	SPO9	N241-1
34. Spotting Wheel Dish Kit	FF729	72. Rear Inner Arm Weldment	
35. Restraint Gear	FJ7750	SPOA7	N239-2
36. 3/8"-16 NC x 3/4" Long Flanged HHCS	40124	SPOA9	FJ7493-6
*37. Arm Restraint Kit (1 arm)	**FJ7888	SPO9	N241-2
38. Overhead Hose		73. Front Inner Arm Weldment	
SPOA7	FJ838	SPOA7	FJ7256-2
SPOA7 EH-1 MODEL	FJ840	SPOA9	FJ7491-6
SPOA7 EH-2 MODEL	FJ841	SPO9	N241-2
SPOA9/SPO9	FJ839	74. Rear Inner Arm Weldment (R/A)	
SPOA9/SPO9 EH-1 MODEL	FJ842	SPOA7	N2101-1
SPOA9/SPO9 EH-2 MODEL	FJ843	SPOA9	N2102-1
SPO9 EH-4 MODEL	FJ845	SPO9	N2104-1
39. Equalizer Cables		75. Front Inner Arm Weldment (R/A)	
SPOA7	FJ7449	SPOA7	N2100-1
SPOA7 EH-1 MODEL	FJ7545	SPOA9	N2103-1
SPOA7 EH-2 MODEL	FJ7546	SPO9	N2104-1
SPOA9	N33	76. Column Mounting Bracket	N439
SPOA9 EH-1 MODEL	N34	77. Adapter Assembly	FJ6161
SPOA9 EH-2 MODEL	N35	Rubber Pad	FJ6161-1
SPO9	FJ7450	78. L.H. Overhead Weldment (Outer)	N437-1
SPO9 EH-1 MODEL	FJ7547	79. R.H. Overhead Weldment (Inner)	N438-1
SPO9 EH-2 MODEL	FJ7528	80. Adapter Assembly	FJ6159
SPO9 EH-4 MODEL	FJ7601	Rubber Adapter	FJ6158-4
40. Capacitor Box	FA7147-1	81. Control Panel Kit(Panel and Attaching Hardware)	
Capacitor Box Cover Plate	FA7203-1	3Ø 208V/60 Hz.	FA7146-1
Drum Switch	FA7205	3Ø 230V/60 Hz.	FA7146-2
Drum Switch Handle	FA7205-1	3Ø 460-480V/60 Hz. or 380-415V/50Hz.	FA7146-3
M5 x 10 PHMS, Plated	40275	3Ø 480V/50 Hz.	FA7146-4

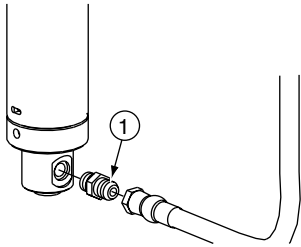
NOTE: Standard hardware items should be purchased from local hardware source when possible.

CAUTION Care should be taken to use hardware equal to that specified in this listing. (If grade is not specified, use Grade 2 minimum.)



*Two different Power Units were used. Please check to see which you have before calling for service. Thank You.

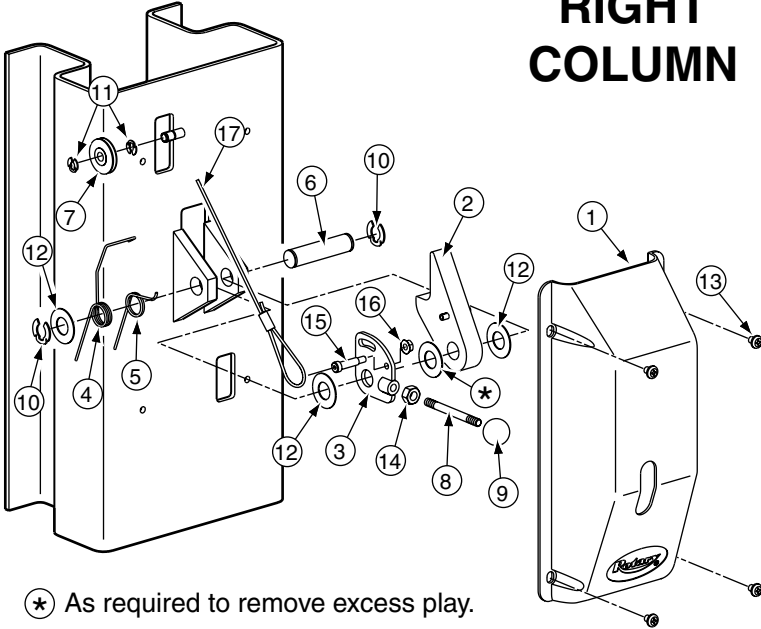
**Includes items 13, 14, 15, 16, 19, 35, 58, 60, 61



CYLINDER HOSE ADAPTER DETAIL

ITEM	DESCRIPTION	PART
1	Straight Adapter	FJ7352-3

RIGHT COLUMN

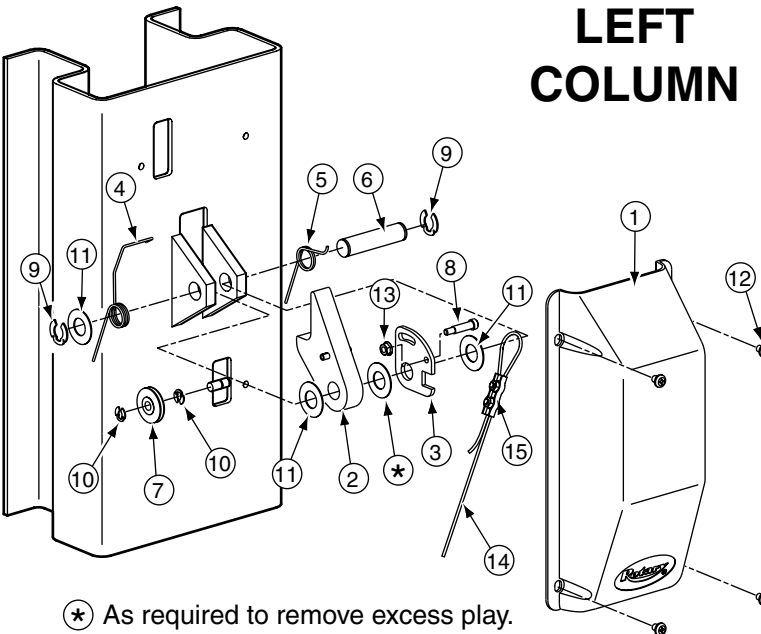


LOCKING LATCH DETAIL PARTS LIST

ITEM	DESCRIPTION	PART
1	Control Side Cover	FJ7452
2	Locking Latch Dog	FJ7382-7
3	Control Plate	FJ7594-2
4	Spring	FJ7566-10
5	Spring	FJ7382-9
6	Latch Shaft	FJ7382-34
7	Locking Latch Sheave	FJ7322
8	Handle	FJ7382-18
9	Ball Handle	FC134-91
10	Truarc Klipring #5304-75 for 3/4" Shaft	41411
11	Truarc Klipring #5304-37 for 3/8" Shaft	41410
12	1-1/2" O.D. x 3/4" I.D. x .045" Mach. Bush.	41388
13	5/16"-18NC x 3/8" Lg. PHMS	40227
14	3/8" - 16NC Hex Jam Nut	40658
15	Shoulder Bolt, 5/16"-20 NC x 1-1/4"	40220
16	Flanged Locknut, 1/4" - 20NC	41423
17	Locking Latch Cable	FJ7595-1
	EH-4 for SPO9	FJ7600

* As required to remove excess play.

LEFT COLUMN



LOCKING LATCH DETAIL PARTS LIST

ITEM	DESCRIPTION	PART
1	Latch Cover	FJ7451
2	Locking Latch Dog	FJ7382-7
3	Control Plate	FJ7382-5
4	Spring	FJ7566-10
5	Spring	FJ7382-9
6	Latch Shaft	FJ7382-34
7	Locking Latch Sheave	FJ7322
8	Shoulder Bolt 5/16"-20NC x 1-1/4"	40220
9	Truarc Klipring #5304-75 for 3/4" Shaft	41411
10	Truarc Klipring #5304-37 for 3/8" Shaft	41410
11	1-1/2" O.D. x 3/4" I.D. x .045" Mach. Bush.	41388
12	5/16"-18NC x 3/8" Lg. PHMS	40227
13	Flanged Locknut, 1/4" - 20NC	41423
14	Locking Latch Cable	FJ7595-1
	EH-4 for SPO9	FJ7600
15	Latch Cable Clamp	N63-1

* As required to remove excess play.

World Headquarters:

Rotary Lift
A DOVER COMPANY
 2700 Lanier Drive
 Madison, Indiana USA
 Phone: 1.800.640.5438
 Phone: 1.812.273.1622
 Fax: 1.800.578.5438
 Fax: 1.812.273.6502
 Email: userlink@rotarylif.com
 Internet: www.rotarylif.com

Italy:
 (European Manufacturing Headquarters)
Rotary Lift Europe S.r.l.
 Manoppello Scalo
 Phone: +39.085.856.9058
 Fax: +39.085.856.9059
 Email: rotary.europe@rotarylift.com

Germany:
 (European Sales Headquarters)
Rotary Lift Germany GmbH
 Bensheim
 Phone: +49.6251.582.640
 Fax: +49.6251.582.6422
 Email: sales@rotarylif.de

United Kingdom:
 (Regional Sales Office)
Rotary Lift (UK) LTD.
 Halstead, Essex
 Phone: +44.178.747.7711
 Fax: +44.178.747.7720
 Email: sales@rotarylif.idps.co.uk

Canada:
 (Regional Sales Office)
Dover Corp. (Canada) LTD.
 Rotary Lift Division
 Mississauga, Ontario
 Phone: 905.812.9920
 Fax: 905.812.9719
 Email: canada@rotarylif.com

Austral-Asia:
 (Regional Sales Office)
Rotary Lift Austral/Asia
 Petaling Jaya, Malaysia
 Phone: +60.3.7660.0285
 Fax: +60.3.7660.0289
 Email: rilim@rotarylif.com

