



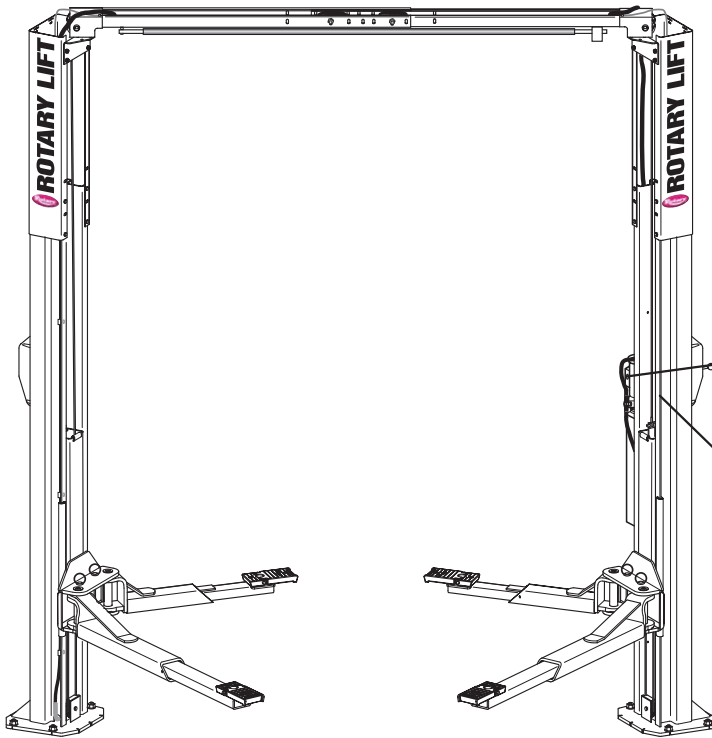
SPOA10NB, SPOA10, SPO10

(200 Series Lifts)

Capacity 10,000 lbs.

P
A
R
T
S

B
R
E
A
K
D
O
W
N



GHS™	PT#	_____	Nº	_____
	PH	_____	MAX AMB	_____
DUTY		_____	INS	_____
THERMAL PROTECTION		_____		
○ HP		_____	Kw	_____
AMPS		_____	VOLTS	_____
HZ		_____	RPM	_____
IP		_____		
<small>CE E.C. 3.4.1</small>				
<small>WARNING: MOTOR MUST BE GROUNDED IN ACCORDANCE WITH LOCAL AND NATIONAL ELECTRICAL CODES TO PREVENT SERIOUS ELECTRICAL SHOCKS</small>				

Rotary 800-445-5438	IMPORTANT		NPS3
	DO NOT REMOVE THIS TAG WARRANTY IDENTIFICATION		
MODEL:	_____		MADE IN THE USA
CAP. LBS:	_____		
SERIAL NUMBER	_____		
<small>MANUFACTURED UNDER ONE OF THESE PATENTS 5009287</small>			
Rotary Lift		A DOVER COMPANY Madison, IN	

IMPORTANT: When ordering parts or requesting service always give exact model and power unit serial number. Model number is shown on nameplate attached to power unit column. Power unit serial number is located on side of power unit.

OWNERS RECORD Complete information at right and keep in a safe place.	Date Installed _____
	Installed in Bay # _____
	Power Unit Serial # _____
	Power Unit Model # _____
	Lift Serial # _____
	Lift Model # _____
NOTE: For replacement parts -See your nearest Rotary Parts Distributor.	

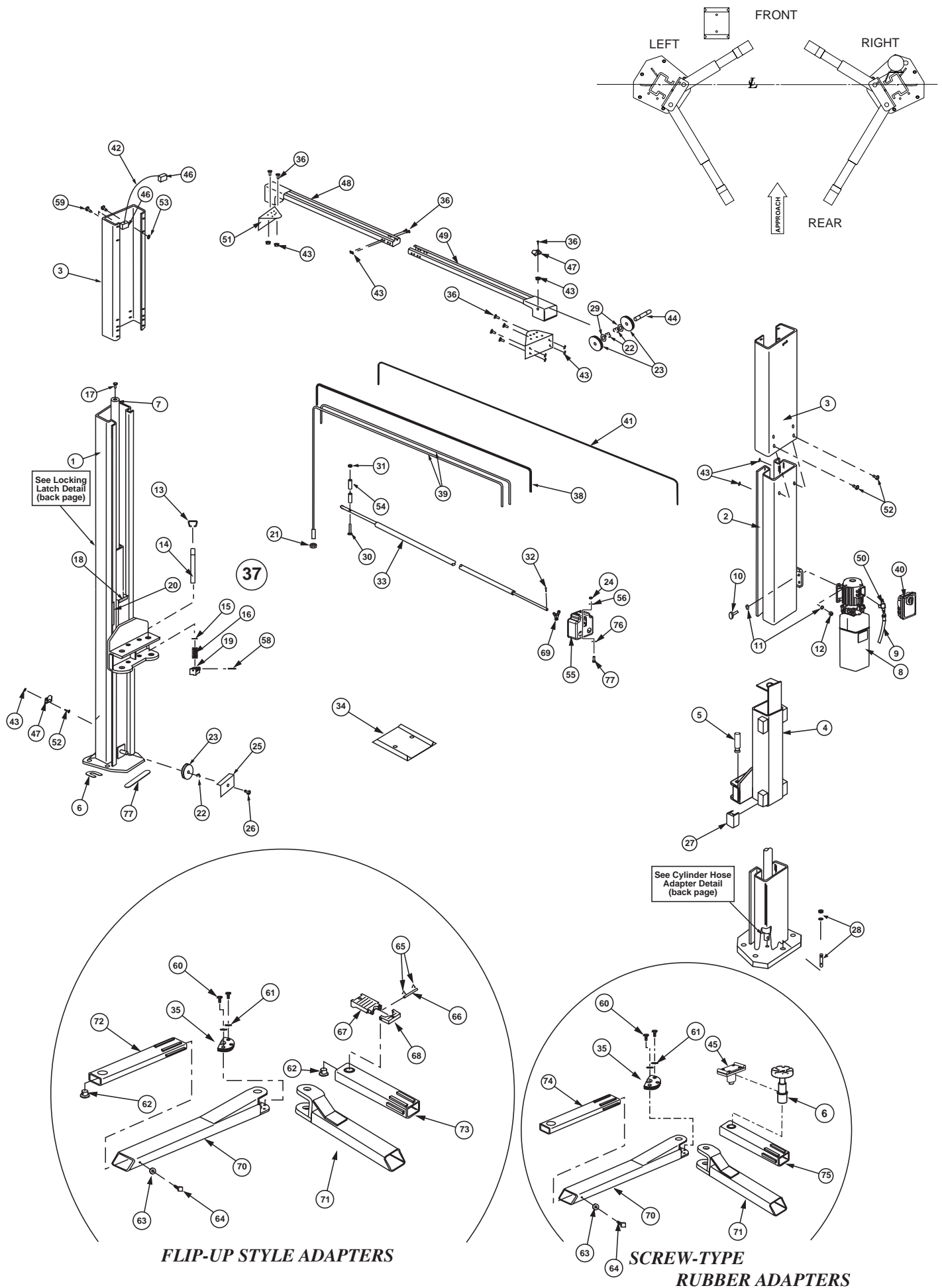
PB 2-2-40
CO5909.3 Rev. A 11/13/2003

1.	L.H. Column Weldment	N752
2.	R.H. Column Weldment	N755
3.	Column Extension	
	Standard Height	N470
	EH-1 MODEL	N471
	EH-2 MODEL	N472
	EH-4 MODEL (SPO10 only)	N474
4.	Carriage Yoke Weldment	N822
5.	Arm Pin	N2154
6.	Horse Shoe Shim	FJ716-6
7.	Hydraulic Cylinder	FJ7664
8.	Power Unit	
	1Ø 60Hz	P1350
	3Ø	P1346
9.	Power Unit Hose	FJ837
10.	5/16"-18NC x 1-1/2" Bolt (Full Thread)	40271
11.	5/16" External Tooth Lockwasher	40854
12.	5/16"-18NC Hex Nut	40670
13.	Actuator Pin Handle	FJ7985-1
14.	Actuator Pin	N121-1
15.	Retaining Pin	N119-3
16.	Arm Restraint Spring	FJ7656-2
17.	Bleeder Screw (Specify Manufacturer)	N/A
18.	Carriage Bumper	FA941
19.	Arm Restraint Pawl	N2121
20.	Approach bumper	FJ7391-1
21.	5/8"-11NC Nylon Insert Lock Nut	40743
22.	Truarc #5304-75 Klipping for 3/4" Shaft	41411
23.	Sheave	N377
24.	1/4"-20NC Zinc Hex Nut	40627
25.	Sheave Cover	N119-1
26.	1/4"-20NC x 3/8" Lg. PHMS Plated (2 pcs.)	40063
27.	Slider block	FJ7360
28.	3/4" Concrete Anchor	FJ7380
29.	1-1/2" O.D. x .760-.770" I.D. x .045" Bushing	41388
30.	1Ø 1/4"-20NC x 2" HHCS	40109
	3Ø 1/4"-20NC x 2-3/4" HHCS	40114
31.	1/4"-20NC Insert Locknut	40642
32.	1/8" x 1" Lg. Cotter Pin (3Ø only)	41200
33.	Switch Bar Assembly	
	1Ø SPOA10NB	N415
	1Ø SPOA10/SPO10	N467
	3Ø	N434
34.	Wheel Spotting Dish Kit	FF729
35.	Arm Restraint Gear	N2122
36.	3/8"-16 NC x 3/4" Long Flanged HHCS	40124
*37.	Arm Restraint Kit (1 arm)	*N2148
38.	Overhead Hose	
	Standard	FJ839
	EH-1 MODEL	FJ842
	EH-2 MODEL	FJ843
	EH-4 MODEL (SPO10 only)	FJ845
39.	Equalizer Cables	
	SPOA10NB	N384
	SPOA10NB EH-1 MODEL	N385
	SPOA10NB EH-2 MODEL	N386
	SPOA10	N372
	SPOA10 EH-1 MODEL	N378
	SPOA10 EH-2 MODEL	N373
	SPO10	N374
	SPO10 EH-1 MODEL	N379
	SPO10 EH-2 MODEL	N375
	SPO10 EH-4 MODEL	N376
40.	Capacitor Box	FA7147-1
	Capacitor Box Cover Plate	FA7203-1
	Drum Switch	FA7205
	Drum Switch Handle	FA7205-1
	M5 x 10 PHMS, Plated	40275
41.	Locking Latch Cable	FJ7595-1
	EH-4 (SPO10 only)	FJ7600
42.	Cable Guide	N618
43.	3/8"-16NC Flanged Locknut	40664
44.	Sheave Shaft	FJ7444-8
45.	Adapter Assembly	FJ6182
	Rubber Pad	FJ6158-4
46.	Cable End Bracket	N619
47.	Hose Clip	N383

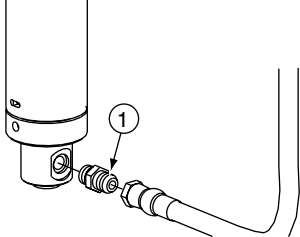
48.	L.H. Overhead Assembly (Outer)	N480
49.	R.H. Overhead Assembly (Inner)	N481
50.	Branch Tee	FJ7668
51.	Column Mounting Bracket	N439
52.	3/8"-16NC x 3/4" Carriage Bolts	N/A
53.	1/4"-20NC Flanged Locknut	40641
54.	3/4" Spacer	FJ7871
55.	Cutoff Switch Assembly	
	1Ø	N413
	3Ø	N432
	Cutoff Switch	
	1Ø	N413-1
	3Ø	N432-1
56.	1/4" External Tooth Lockwasher	40779
57.	N/A	N/A
58.	Spring Pin-1/4" dia. x 1-1/2" Lg. (Stainless)	14427
59.	1/4"-20NC x 1" HHCS Grade 5	40108
60.	3/8"-16NC x 1-1/2" HHCS Grade 5	40200
61.	3/8" Spring Washers	40818
62.	Adapter Swivel Pin	FJ79-6
63.	3/8" Internal Tooth Washer	40843
64.	3/8"-16NC x 5/8" Lg. HHCS Grade 8	40155
65.	3/32" Hog Ring for 1/2" Shaft (8 req'd)	FJ671-6
66.	Adapter Pin	FJ6179
67.	High Step Adapter	FJ6177
68.	Low Step Adapter	FJ6178
69.	Actuator Assembly (3Ø Only)	N432-5
70.	Rear Outer Arm	
	SPOA10NB	N2177-1
	SPOA10	N2173-1
	SPO10	N2174-1
71.	Front Outer Arm	
	SPOA10NB	N2175-1
	SPOA10	N2172-1
	SPO10	N2174-1
72.	Rear Inner Arm Assembly (with adapters)	
	SPOA10NB	N2174-2
	SPOA10	N2173-2
	SPO10	N2174-2
73.	Front Inner Arm Assembly (with adapters)	
	SPOA10NB	N2175-2
	SPOA10	N2172-2
	SPO10	N2174-2
74.	Rear Inner Arm (R/A)	
	SPOA10NB	N2180-1
	SPOA10	N2179-1
	SPO10	N2180-1
75.	Front Inner Arm (R/A)	
	SPOA10NB	N2181-1
	SPOA10	N2178-1
	SPO10	N2180-1
76.	1/4" Flat Washer	40795
77.	Front Shim	FJ7659-3

NOTE: Standard hardware items should be purchased from local hardware source when possible.

CAUTION Care should be taken to use hardware equal to that specified in this listing. (If grade is not specified, use Grade 2 minimum.)



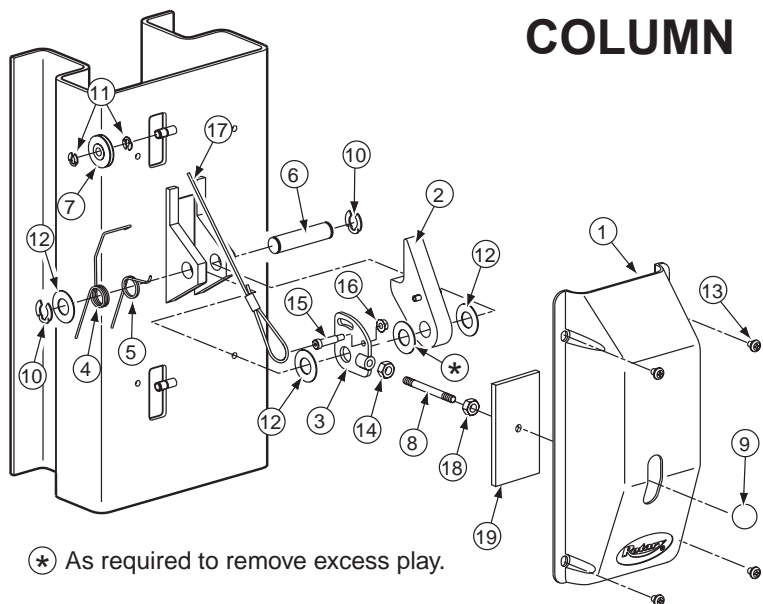
*Includes items 13, 14, 15, 16, 19, 35, 58, 60, 61



CYLINDER HOSE ADAPTER DETAIL

ITEM	DESCRIPTION	PART
1	Straight Adapter	FJ7352-3

RIGHT COLUMN

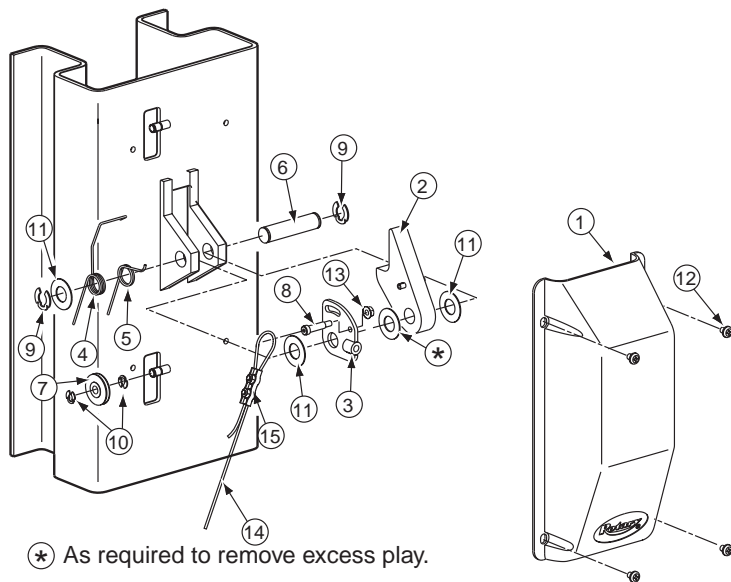


LOCKING LATCH DETAIL PARTS LIST

ITEM	DESCRIPTION	PART
1	Control Side Cover	FJ7452
2	Locking Latch Dog	N616
3	Control Plate	FJ7594-2
4	Spring	FJ7566-10
5	Spring	FJ7382-9
6	Latch Shaft	FJ7382-34
7	Locking Latch Sheave	FJ7322
8	Handle	FJ7382-18
9	Ball Handle	FC134-91
10	Truarc Klipring #5304-75 for 3/4" Shaft	41411
11	Truarc Klipring #5304-37 for 3/8" Shaft	41410
12	1-1/2" O.D. x 3/4" I.D. x .045" Mach. Bush.	41388
13	5/16"-18NC x 3/8" Lg. PHMS	40227
14	3/8" - 16NC Hex Jam Nut	40658
15	Shoulder Bolt, 5/16"-20 NC x 1-1/4"	40220
16	Flanged Locknut, 1/4" - 20NC	41423
17	Locking Latch Cable	FJ7595-1
	EH-4 for SPO10	FJ7600
18	1/2"-13NC Jam Nut (Spacer)	40700
19	Slot Cover	N617

* As required to remove excess play.

LEFT COLUMN



LOCKING LATCH DETAIL PARTS LIST

ITEM	DESCRIPTION	PART
1	Latch Cover	FJ7451
2	Locking Latch Dog	N616
3	Control Plate	FJ7594-2
4	Spring	FJ7566-10
5	Spring	FJ7382-9
6	Latch Shaft	FJ7382-34
7	Locking Latch Sheave	FJ7322
8	Shoulder Bolt 5/16"-20NC x 1-1/4"	40220
9	Truarc Klipring #5304-75 for 3/4" Shaft	41411
10	Truarc Klipring #5304-37 for 3/8" Shaft	41410
11	1-1/2" O.D. x 3/4" I.D. x .045" Mach. Bush.	41388
12	5/16"-18NC x 3/8" Lg. PHMS	40227
13	Flanged Locknut, 1/4" - 20NC	41423
14	Locking Latch Cable	FJ7595-1
	EH-4 for SPO10	FJ7600
15	Latch Cable Clamp	N63-1

* As required to remove excess play.

Rotary World Headquarters

2700 Lanier Drive
Madison, IN 47250, USA
www.rotarylif.com

North America Contact Information

Tech. Support: p 800.445.5438
f 800.578.5438
e userlink@rotarylif.com
Sales: p 800.640.5438
f 800.578.5438
e userlink@rotarylif.com

World Wide Contact Information

World Headquarters/USA: 1.812.273.1622
Canada: 1.905.812.9920
European Headquarters/Germany: +49.771.9233.0
United Kingdom: +44.178.747.7711
Australasia: +60.3.7660.0285
Latin America / Caribbean: +54.3488.431.608
Middle East / Africa: 1.812.273.1622



A DOVER COMPANY

