

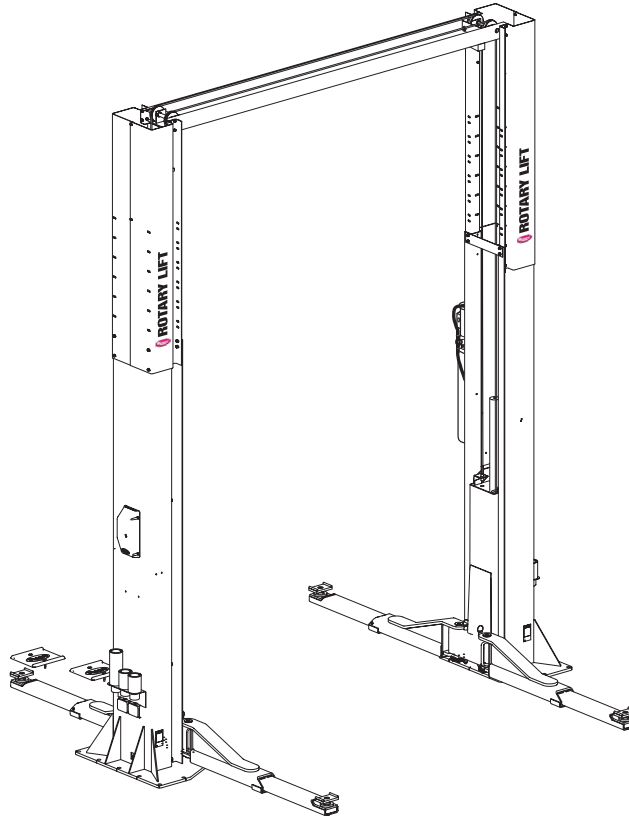


# SPO15, SPO18

Standard SPO15 (300 Series Lifts) Capacity 15,000 lbs.

Standard SPO18 (300 Series Lifts) Capacity 18,000 lbs.

Sprinter SPO15 (31A0 Lifts) Capacity 14,300 lbs,



P  
A  
R  
T  
S  
  
B  
R  
E  
A  
K  
D  
O  
W  
N

**IMPORTANT:** When ordering parts or requesting service always give exact model and power unit serial number. Model number is shown on nameplate attached to power unit column. Power unit serial number is located on side of power unit.

**OWNERS RECORD**  
Complete information  
at right and keep in  
a safe place.

Date Installed \_\_\_\_\_

Installed in Bay # \_\_\_\_\_

Power Unit Serial # \_\_\_\_\_

Power Unit Model # \_\_\_\_\_

Lift Serial # \_\_\_\_\_

Lift Model # \_\_\_\_\_

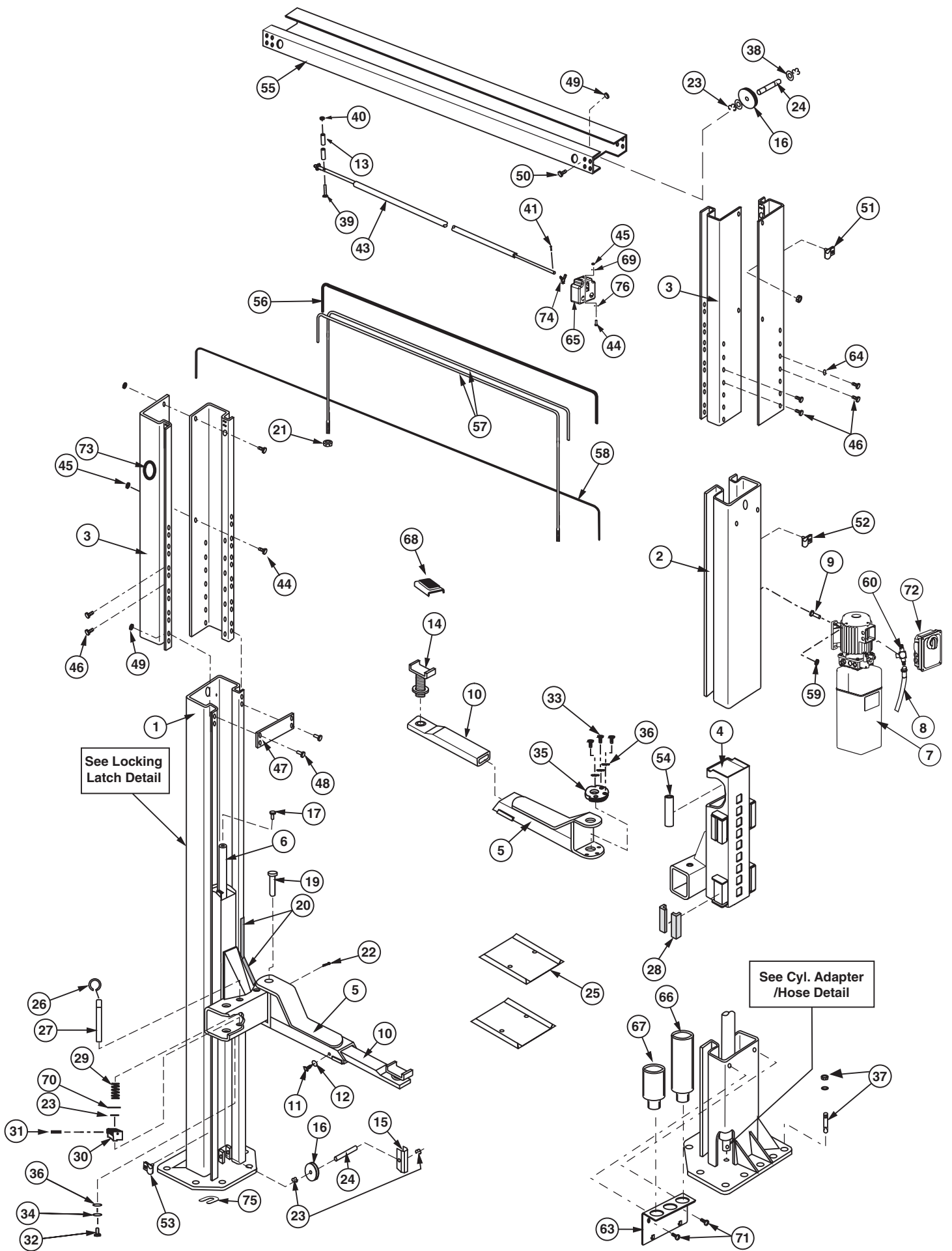
**NOTE:** For replacement parts -See your nearest Rotary Parts Distributor.



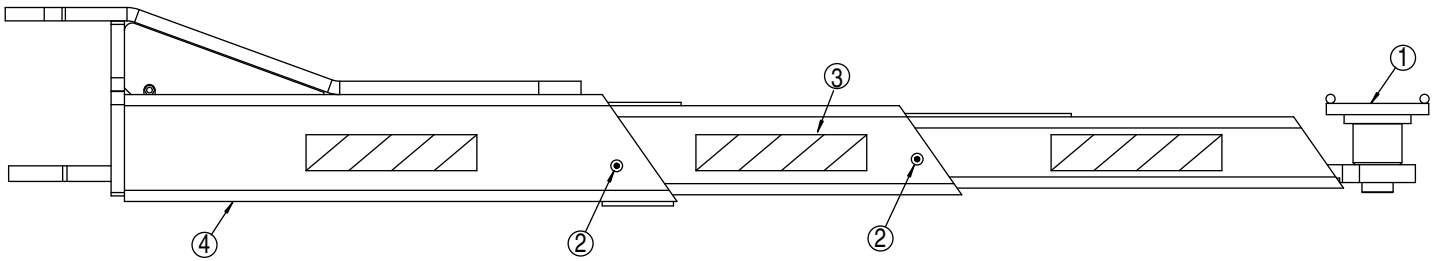
**PB2-2-19-2**

Rev. K 1/16/2013





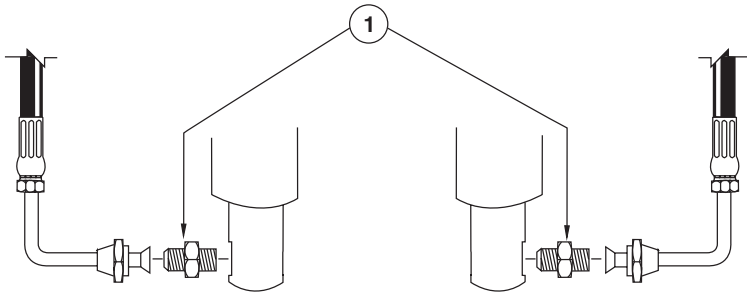
### N2300 Sprinter Arm Assembly (14,300 lbs.)



ITEM	PART NO.	DESCRIPTION
1	FJ7822-1	3-STAGE ADAPTER ASSEMBLY
2	N2264-5	STOP BOLT ASSEMBLY
3	N220-3	TRAFFIC TAPE
4	N2300	14,300 lbs. SPRINTER ARM ASSEMBLY

NOTE: LOCATE TRAFFIC TAPE APPROXIMATELY AS SHOWN (BOTH SIDES)

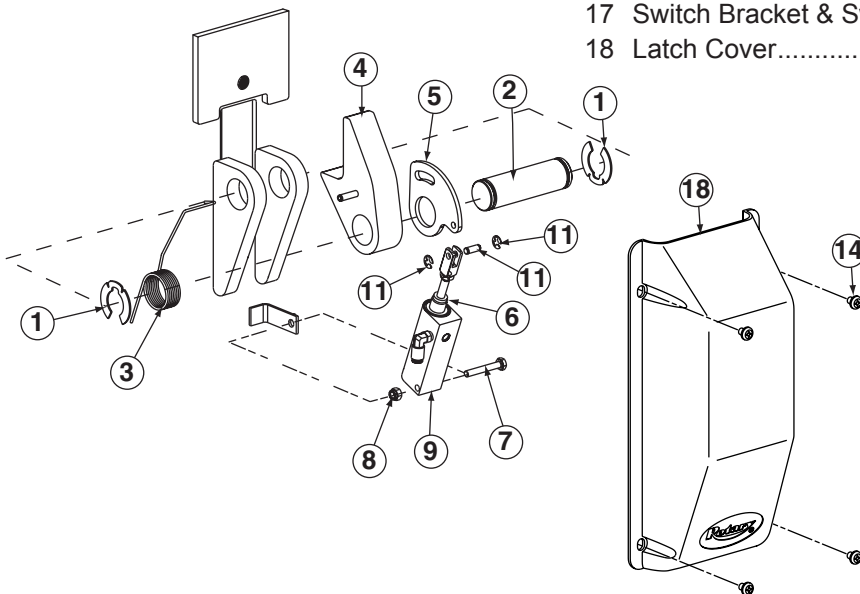
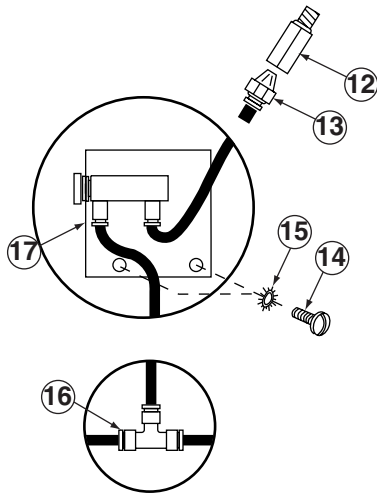
## CYLINDER ADAPTER/HOSE DETAIL



ITEM#	DESCRIPTION	PART#
1	Straight Adapter .....	FJ7352-3

## LOCKING LATCH DETAIL

ITEM#	DESCRIPTION	PART#
1	Truarc Klipping#5304-125 for 1 1/4" Shaft.....	41417
2	Latch Shaft.....	FJ7813-7
3	Latch Spring.....	FJ7813-5
4	Locking Latch Dog Assy.....	FJ7813-14
5	Latch Control Plate .....	FJ7813-6
6	Dampening Spacer .....	FJ7813-13
7	1/4"-20NC x 1-1/4" HHCS.....	40101
8	1/4"-20 Nylon Insert Nut.....	40642
9	Air Cylinder .....	N614
10	Swivel elbow 1/4"O.D. tube to 1/8" NPT .....	FA3134-6
11	Bimba Piston Rod Clevis #D-166-1 (set) .....	11263
12	Filter .....	FA3134-12
13	1/4" Male Connector .....	FC5191-6
14	5/16"-18NC x 3/8" PHMS.....	40227
15	5/16" External Lockwasher .....	40854
16	Union Tee.....	FC5225-46
17	Switch Bracket & Switch (Set) .....	N620
18	Latch Cover.....	FJ7451



## NOTES

## NOTES

**Rotary World Headquarters**

2700 Lanier Drive  
Madison, IN 47250, USA  
[www.rotarylif.com](http://www.rotarylif.com)

**North America Contact Information**

Tech. Support:  
p 800.445.5438  
f 800.578.5438  
e [userlink@rotarylif.com](mailto:userlink@rotarylif.com)  
Sales:  
p 800.640.5438  
f 800.578.5438  
e [userlink@rotarylif.com](mailto:userlink@rotarylif.com)

**World Wide Contact Information**

World Headquarters/USA: 1.812.273.1622  
Canada: 1.905.812.9920  
European Headquarters/Germany: +49.771.9233.0  
United Kingdom: +44.178.747.7711  
Australasia: +60.3.7660.0285  
Latin America / Caribbean: +54.3488.431.608  
Middle East / Northern Africa: +49.771.9233.0

**© Vehicle Service Group<sup>SM</sup>**

Printed in U.S.A., All Rights Reserved. Unless otherwise indicated, ROTARY, and all other trademarks are property of Dover Corporation and its affiliates.

