

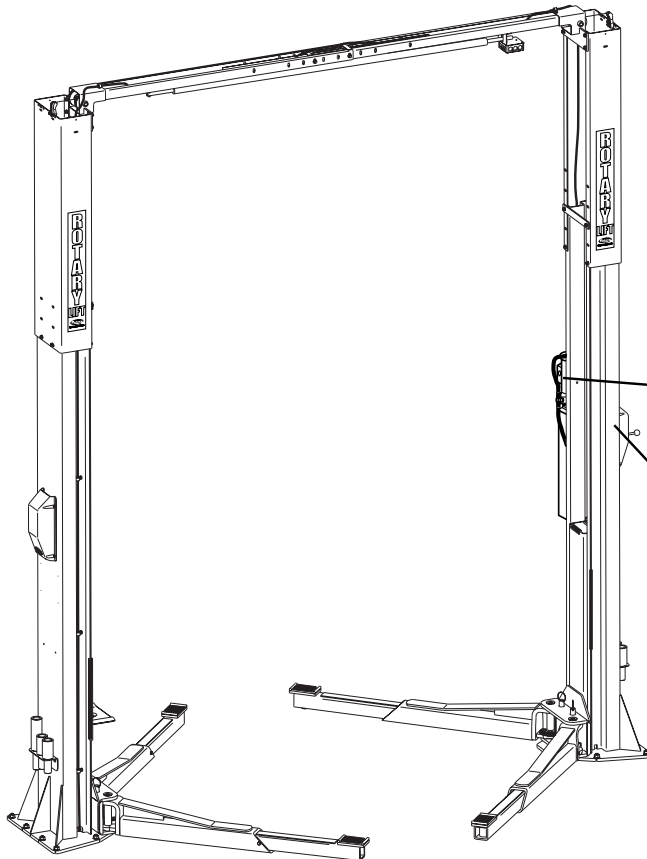


World Leader in Lift Systems

SPO12

(300 Series)

Two Post Surface Mounted Frame Engaging Lift



	PT#	_____	N°	_____
	PH	_____	MAX AMB	_____
	DUTY	_____	INS	_____
	THERMAL PROTECTION		_____	
	VOLTS	_____	HP	_____
	AMPS	_____	Kw	_____
	HZ	_____	RPM	_____
			IP	_____
	WARNING: MOTOR MUST BE GROUNDED IN ACCORDANCE WITH LOCAL AND NATIONAL ELECTRICAL CODES TO PREVENT SERIOUS ELECTRICAL SHOCKS			

	IMPORTANT
800-445-5438	DO NOT REMOVE THIS TAG
	WARRANTY IDENTIFICATION
MODEL:	
CAP. LBS:	
SERIAL NUMBER	
MADE IN THE USA	
MANUFACTURED UNDER ONE OF THESE PATENTS	
5009287	
	A INDUSTRIES COMPANY Madison, IN

P
A
R
T
S

B
R
E
A
K
D
O
W
N

IMPORTANT: When ordering parts or requesting service always give exact model and power unit serial number. Model number is shown on nameplate attached to air lock release valve. Power unit serial number is located on side of power unit.

OWNERS RECORD
Complete information at right and keep in a safe place.

Date Installed _____

Installed in Bay # _____

Power Unit Serial # _____

Power Unit Model # _____

Lift Serial # _____

Lift Model # _____

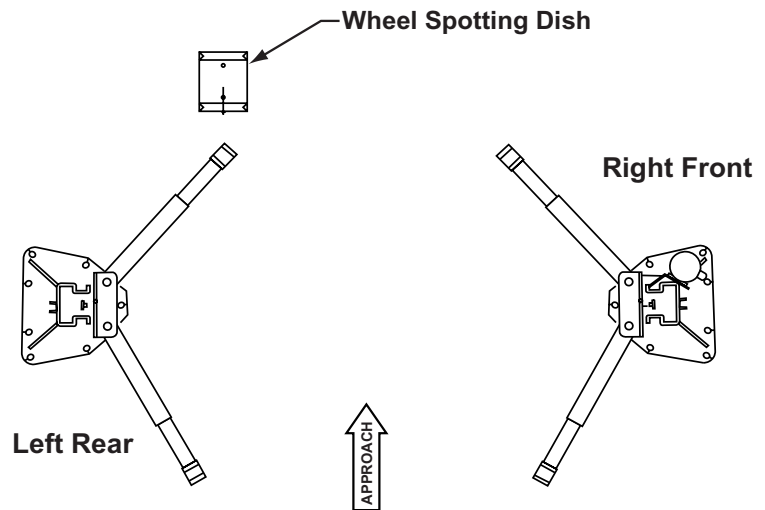
NOTE: For replacement parts -See your nearest Rotary Parts Distributor.

PB 2-2-30-1
Rev. A 04/26/01

1	L.H. Column Weldment	N724
2	R.H. Column Weldment	N726
3	Column Extension	
	Standard Height	N419
	EH-1 MODEL	N420
	EH-2 MODEL	N421
4	Carriage Yoke Weldment	N810
5	Arm Pin	FJ7838
6	3/16" x 2" Long Cotter Pin	41250
7	Hydraulic Cylinder	N342
8	Power Unit	
	SINGLE PHASE	P1391
	THREE PHASE	P1395
9	Power Unit Hose	N348
10	5/16"-18NC x 1-1/2" Bolt	40271
11	5/16" External Tooth Lockwasher	40854
12	5/16"-18NC Hex Nut	40670
13	Actuator Pin Handle	FJ7985-1
14	Actuator Pin	N121-1
15	Retaining Pin	N119-3
16	Arm Restraint Spring	FJ7656-2
17	Bleeder Screw (Specify Manufacturer)	2REQ'D
18	Carriage Bumper	FJ7391-2
19	120T Gear Block	FJ7749
20	Approach bumper (door-18" Lg-2 req'd)	FJ7391-1
21	5/8"-11NC Hex Nylon Insert Locknut	40743
22	Truarc #5304-75 Klipping for 3/4" Shaft	41411
23	Sheave	N417-1
24	1/4"-20NC Zinc Hex Nut	40627
25	Sheave Cover	N119-1
26	1/4"-20NC x 3/8" Lg. PHMS Plated (2 pcs.)	40063
27	Slider block	FJ7360
28	3/4" Concrete Anchor (14 req'd)	FJ7380
29	1-1/2" O.D. x .760-.770" I.D. x .045" Thick Mach. Bushing	41388
30	1/4"-20NC x 2" HHCS	40109
31	1/4"-20NC Insert Locknut	41423
32	1/8" x 1" Lg. Cotter Pin	41200
33	Switch Bar Assembly	FJ7613-2
34	Spotting Wheel Dish Kit	FF729
35	Restraint Gear	FJ7750
36	3/8"-16 NC x 3/4" Long HHCS	40134
37*	Arm Restraint Kit (1 arm)	*FJ7888
38	Overhead Hose	
	Standard Height	N349
	EH-1 MODEL	N350
	EH-2 MODEL	N351
39	Equalizer Cables	
	Standard Height	N39
	EH-1 MODEL	N312
	EH-2 MODEL	N313
40	Stop Bolt	N219
41	Locking Latch Cable	
	Standard Height Model	FJ7595-1
	EH-1 & EH-2 Models	FJ7600
42	3/8"-16NC x 1" Flanged HHCS	40144
43	3/8"-16NC Flanged Locknut	40664
44	Sheave Shaft	FJ7444-8
45	1/4"-20NC x 2" HHCS Grade 5	40109
46	Latch Cable Guide	N69
47	Hose Clip (4 req'd-Overhead)	FJ7206
48	#12 Type B x 1/2" Lg. Slotted Hex Washer Head Tapping Screw (4 req'd-Overhead)	40057
49	5/16"-18NC x 3/8" PHMS (6 req'd-Column)	40227
50	Branch Tee	FJ7668
51	Hose Clip (6 req'd-Column)	FJ7499
52	Tie Bar	N165-2
53	1/4"-20NC Flanged Locknut	40641
54	3/4" Spacer	FJ7871

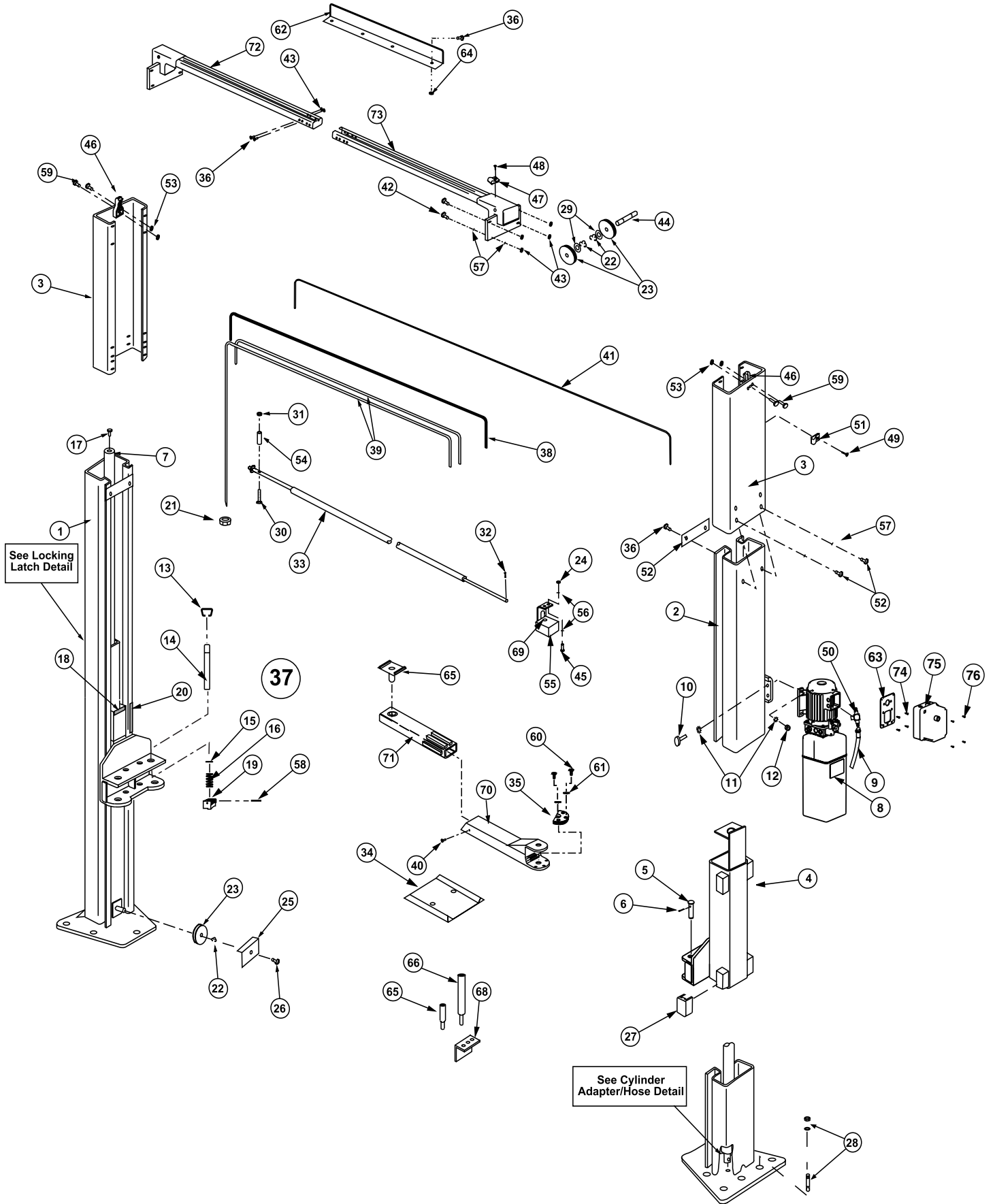
55	Limit Switch Assembly	
	For units using less than or equal to 250V	N413
	For units using above 250 V	N414
56	1/4" External Tooth Lockwasher	40779
57	3/8" External Tooth Lockwasher	40845
58	Spring Pin-1/4" dia. x 1-1/2" Lg. (Stainless)	14427
59	1/4"-20NC x 1" HHCS Grade 5	40108
60	3/8"-16NC x 1-1/2" HHCS Grade 5	40200
61	3/8" Spring Washers	40818
62	Stiffener Angle	N417-3
63	Control Box Adapter Plate	FA7132-2
64	3/8"-16NC Flanged Locknut	4 REQ'D
65	Adapter	FJ6158
66	4" Adapter Extension	FJ6143
67	8" Adapter Extension	FJ6144
68	Adapter Rack	FJ6145
69	Limit Switch	
	For units using less than or equal to 250V	N413-1
	For units using above 250 V	FJ7979-1
70	Outer Arm	N25-1
71	Inner Arm	N25-2
72	L.H. Overhead Weldment (Outer)	FJ7447-1
73	R.H. Overhead Weldment (Inner)	FJ7446-1
74	M5 x .7 x 8mm Flat Head MS	FA7152-1
75	Control Panel	
	3Ø 208V/60Hz.	FA7162
	3Ø 230V/60Hz.	FA7163
	3Ø 460-480V/60Hz. or 380-415V/50Hz.	FA7164
	3Ø 480V/50Hz.	FA7165
76	#8-32NC x 1/2" Self Tapping Pan Head MS	FA7152-2

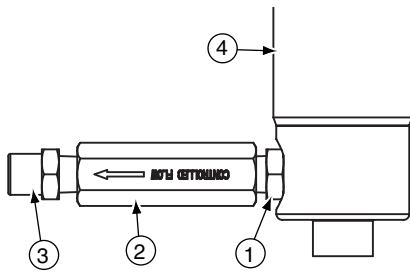
* Includes items 13, 14, 15, 16, 19, 35, 58, 60, 61



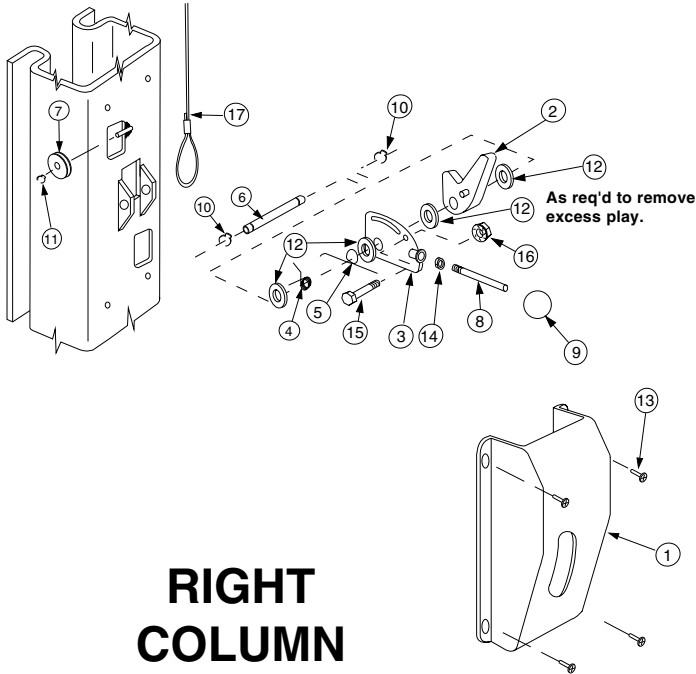
NOTE: Standard hardware items should be purchased from local hardware source when possible.

CAUTION Care should be taken to use hardware equal to that specified in this listing. (If grade is not specified, use Grade 2 minimum.)



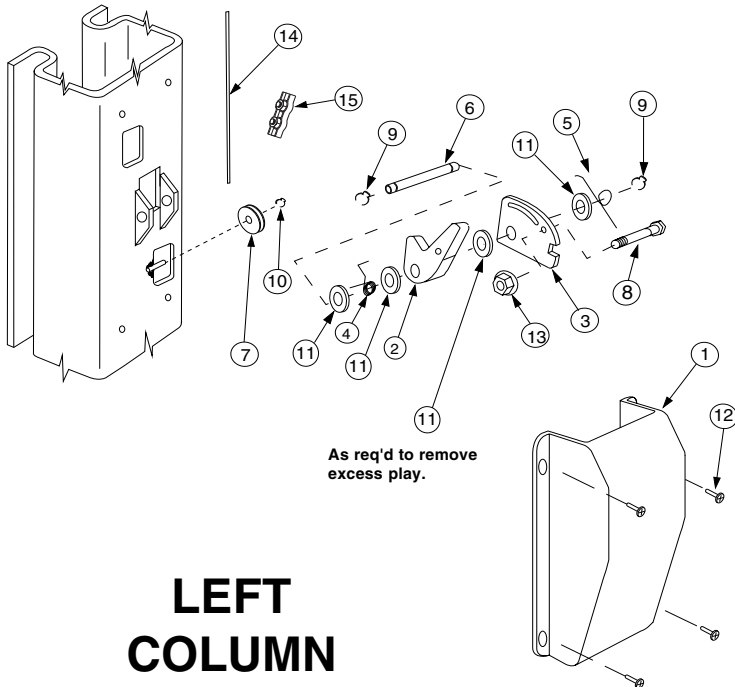


CYLINDER ADAPTER/HOSE DETAIL PARTS LIST		
ITEM NO.	DESCRIPTION	PART NO.
1	Lenz 6-4APN Adapter	16095
2	Flow Control	N344-1
3	Lenz 3105-6-4 Adapter	16094
4	Hydraulic Cylinder	N342



RIGHT COLUMN

LOCKING LATCH DETAIL PARTS LIST		
ITEM NO.	DESCRIPTION	PART NO.
1	Control Side Cover	FJ7452
2	Locking Latch Dog	N165-1
3	Control Plate	FJ7382-5
4	Spring	FJ7566-10
5	Spring	FJ7382-9
6	Latch Shaft	FJ7382-34
7	Locking Latch Sheave	FJ7322
8	Handle	FJ7382-18
9	Ball Handle	FC134-91
10	Truarc Klipring #5304-75 for 3/4" Shaft	41411
11	Truarc Klipring #5304-37 for 3/8" Shaft	41410
12	1 1/2" O.D. x 3/4" I.D. x .045" Mach. Bush.	41388
13	5/16"-18NC x 3/8" Lg. PHMS	40227
14	3/8" - 16NC Hex Jam Nut	40658
15	Shoulder Bolt, 5/16"-20 NC x 1- 1/4"	40220
16	Flanged Locknut, 1/4" - 20NC	41423
17	Latch Cable	FJ7595-1
	EH-1 and EH-2	FJ7600



LEFT COLUMN

LOCKING LATCH DETAIL PARTS LIST		
ITEM NO.	DESCRIPTION	PART NO.
1	Latch Cover	FJ7451
2	Locking Latch Dog	N165-1
3	Control Plate	FJ7382-5
4	Spring	FJ7566-10
5	Spring	FJ7382-9
6	Latch Shaft	FJ7382-34
7	Locking Latch Sheave	FJ7322
8	Shoulder Bolt 5/16"-20NC x 1-1/4"	40220
9	Truarc Klipring #5304-75 for 3/4" Shaft	41411
10	Truarc Klipring #5304-37 for 3/8" Shaft	41410
11	1 1/2" O.D. x 3/4" I.D. x .045" Mach. Bush.	41388
12	5/16"-18NC x 3/8" Lg. PHMS	40227
13	Flanged Locknut, 1/4" - 20NC	41423
14	Latch Cable	FJ7595-1
	EH-1 and EH-2	FJ7600
15	Latch Cable Clamp	N63-1

World Headquarters
Rotary Lift
 A Dover Industries Company
 2700 Lanier Drive
 Madison, IN 47250-1753 USA
 Phone toll-free: 800.445.5438
 Phone: 812.273.1622
 Fax toll-free: 800.822.6502
 Fax: 812.273.6502
 Email: userlink@rotarylif.com
 Web site: www.rotarylif.com

Canada
 (Regional Sales Office)
Dover Corp. (Canada) LTD.
Rotary Lift Division
 130 Bridgeland Avenue Unit 210
 Toronto, Ontario
 Canada M6A 1Z4
 Phone: 416.256.4100
 Fax: 416.256.3924
 Email: canlink@rotarylifca.com

United Kingdom
 (Regional Sales Office)
Rotary Lift (UK) LTD.
 3, Fourth Avenue
 Bluebridge Industrial Estate
 Halstead, Essex CO9 2SY
 United Kingdom
 Phone: +44.178.747.7711
 Fax: +44.178.747.7720
 Email: sales@rotarylif.idps.co.uk

Austral-Asia
 (Regional Sales Office)
Rotary Lift Austral/Asia
 3A03, Block A, Phileo Damansara 1
 9, Jalan 16/11, Off Jalan Damansara
 46350 Petaling Jaya
 Selangor Darul Ehsan, Malaysia
 Phone: +60.3.7660.0285
 Fax: +60.3.7660.0289
 Email: rlim@rotarylif.com

Germany
 (European Manufacturing Headquarters)
Rotary Lift Germany GmbH
 Lilienthalstr. 26
 64625 Bensheim
 Germany
 Phone: +49.6251.582.640
 Fax: +49.6251.582.6422
 Email: sales@rotarylif.de

Italy
 (European Manufacturing Headquarters)
Rotary Lift Europe S.r.l.
 Via Tiburtina, Km 209 & 800
 65025 Manoppello Scalo
 Italy
 Phone: +39.085.856.9058
 Fax: +39.085.856.9059
 Email: rotary.europe@rotaryeurope.com

