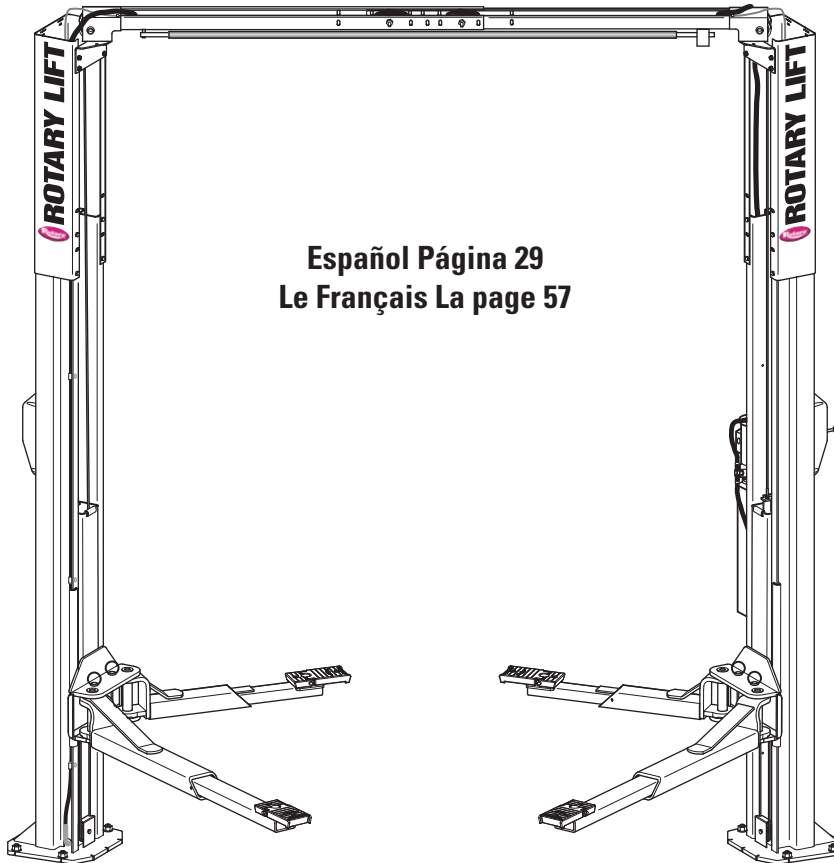




# SPOA10, SP010, SPOA7 Hybrid, & Shockwave™ Models

(500, 700, And 800 Series Lifts)  
Capacity 10,000 lbs. (4,536 kg.)



P  
A  
R  
T  
S  
  
B  
R  
E  
A  
K  
D  
O  
W  
N

**IMPORTANT:** When ordering parts or requesting service always give exact model and power unit serial number. Model number is shown on nameplate attached to power unit column. Power unit serial number is located on side of power unit.

**OWNERS RECORD**  
Complete information at right and keep in a safe place.

Date Installed \_\_\_\_\_

Installed in Bay # \_\_\_\_\_

Power Unit Serial # \_\_\_\_\_

Power Unit Model # \_\_\_\_\_

Lift Serial # \_\_\_\_\_

Lift Model # \_\_\_\_\_

**NOTE: For replacement parts -See your nearest Rotary Parts Distributor.**



1. L.H. Column Standard Weldment .....	N752	39. Equalizer Cables	
L.H. Column Seismic Weldment .....	N766	SPOA10NB .....	N384
2. R.H. Column Standard Weldment.....	N755	SPOA10NB EH-1 MODEL.....	N385
R.H. Column Seismic Weldment.....	N768	SPOA10NB EH-2 MODEL.....	N386
3. Column Extension		<a href="#">SPOA10.....</a>	<a href="#">N372</a>
Standard Height.....	N470	SPOA10 EH-1 MODEL.....	N378
EH-1 MODEL .....	N471	SPOA10 EH-2 MODEL.....	N373
EH-2 MODEL .....	N472	<a href="#">SPO10.....</a>	<a href="#">N374</a>
EH-4 MODEL (SPO10 only).....	N474	SPO10 EH-1 MODEL.....	N379
4. Carriage Yoke Weldment.....	N822	SPO10 EH-2 MODEL.....	N375
5. Arm Pin.....	N2154	SPO10 EH-4 MODEL.....	N376
6. 1/4"-20NC x 3/4" Lg. HHCS.....	40099	40. Capacitor Box.....	FA7147-1
7. Hydraulic Cylinder		Capacitor Box Cover Plate.....	FA7366-1
68" Rise .....	N3156	Drum Switch.....	FA7364
71" Rise .....	N382	Drum Switch Lever.....	FA7364-1
8. Power Unit		M5 x 45 PHMS, Plated.....	41672
1Ø 60Hz.....	**P1302/P3302	41. Locking Latch Cable.....	FJ7600
1Ø 50Hz.....	**P1389/P3389	<a href="#">42. Cable Guide.....</a>	<a href="#">N618</a>
3Ø.....	**P1347/P3347	43. 3/8"-16NC Flanged Locknut.....	40664
3Ø 575V.....	**P1359/P3359	44. Sheave Shaft.....	FJ7444-8
3Ø 380V (S Model).....	**P1510/P3510	45. Actuator Assembly (3Ø).....	N432-5
<a href="#">9. Power Unit Hose.....</a>	<a href="#">FJ837</a>	46. Cable End Bracket.....	N619
10. 5/16"-18NC x 1-1/2" Flanged HHCS (Full Thread).....	40509	47. Hose Clip.....	N383
11. NA.....	NA	48. L.H. Overhead Assembly (Outer).....	N480
12. 5/16"-18NC Hex Flanged Lock Nut.....	40678	49. R.H. Overhead Assembly (Inner).....	N481
13. Actuator Pin Handle.....	FJ7985-1	50. Branch Tee.....	FJ7668
14. Actuator Pin.....	N121-1	51. Column Mounting Bracket.....	N439
15. Retaining Pin.....	N119-3	52. 3/8"-16NC x 3/4" Carriage Bolts .....	N/A
16. Arm Restraint Spring.....	FJ7656-2	53. 1/4"-20NC Flanged Locknut.....	40641
17. Bleeder Screw (Specify Manufacturer).....	N/A	54. 3/4" Spacer .....	FJ7871
18. Carriage Bumper.....	FA941	55. Cutoff Switch Assembly	
19. Arm Restraint Pawl.....	N2121	1Ø / 3Ø w/ Push Button.....	N413
20. Approach bumper.....	FJ7391-1	3Ø.....	N432
21. 5/8"-11NC Nylon Insert Lock Nut.....	40743	Explosion Proof Controls.....	N4118
22. Truarc #5304-75 Klipping for 3/4" Shaft.....	41411	Cutoff Switch	
<a href="#">23. Sheave.....</a>	<a href="#">N377</a>	1Ø / 3Ø w/ Push Button.....	<a href="#">N413-1</a>
24. 1/4"-20NC Zinc Hex Nut.....	40627	3Ø.....	N432-1
25. Sheave Cover .....	N119-1	Explosion Proof Controls.....	N4118-2
26. 1/4"-20NC x 3/8" Lg. PHMS Plated (2 pcs.).....	40063	56. 1/4" External Tooth Lockwasher.....	40779
27. Slider block .....	FJ7360	57. 1/4"-20NC x 1" HHCS Grade 5.....	40108
28. 3/4" Concrete Anchor .....	FJ7380	58. Spring Pin-1/4" dia. x 1-1/2" Lg. (Stainless) .....	14427
29. 1-1/2" O.D. x .760-.770" I.D. x .045" Bushing.....	41388	59. Shim .....	FJ716-6
30. 1/4"-20NC x 2-3/4" HHCS.....	40114	60. Front Shim .....	FJ7659-3
31. 1/4"-20NC Insert Locknut .....	40642		
32. 1/8" x 1" Lg. Cotter Pin (3Ø only) .....	41200		
33. Switch Bar Assembly			
1Ø SPOA10NB .....	N415		
1Ø SPOA10/SP010 / 3Ø w/ Push Button.....	N467		
3Ø.....	N434		
34. <a href="#">Wheel Spotting Dish Kit.....</a>	<a href="#">FF729</a>		
35. 1/4" Flat Washer .....	40795		
36. 3/8"-16 NC x 3/4" Long Flanged HHCS .....	40124		
<a href="#">*37. Arm Restraint Kit (1 arm).....</a>	<a href="#">*N2148</a>		
38. Overhead Hose			
Standard.....	N3103		
EH-1 MODEL .....	FJ842		
EH-2 MODEL .....	FJ843		
EH-4 MODEL (SPO10 only).....	FJ845		

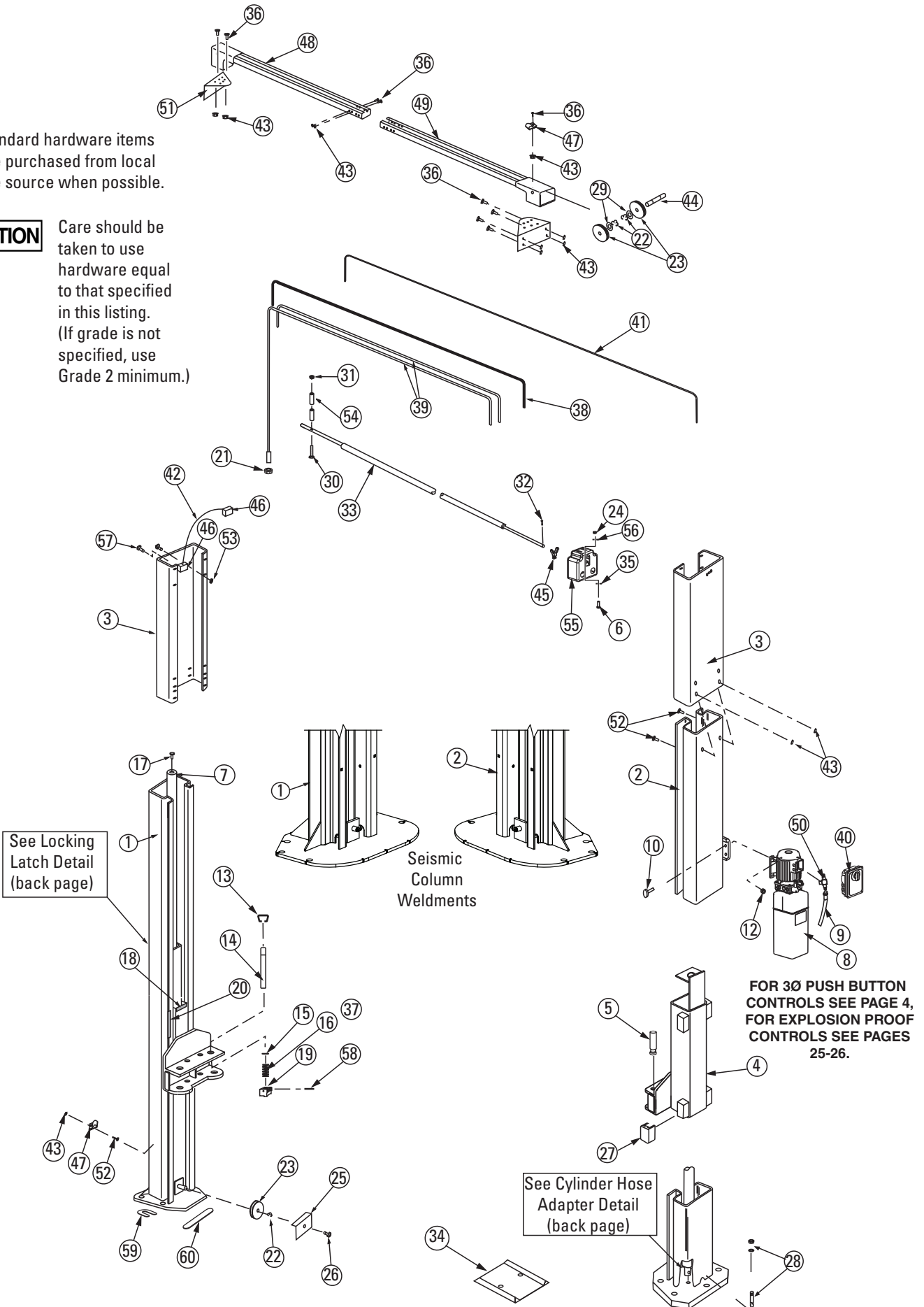
\*Arm Restraint Kit (1 Arm) Includes items 13, 14, 15, 16, 19 & 58. Also includes Restraint Gears and attaching hardware (items 21, 22 & 23) from Arm Detail section.

\*\*Two different power units were used. Please verify your model number before ordering parts.

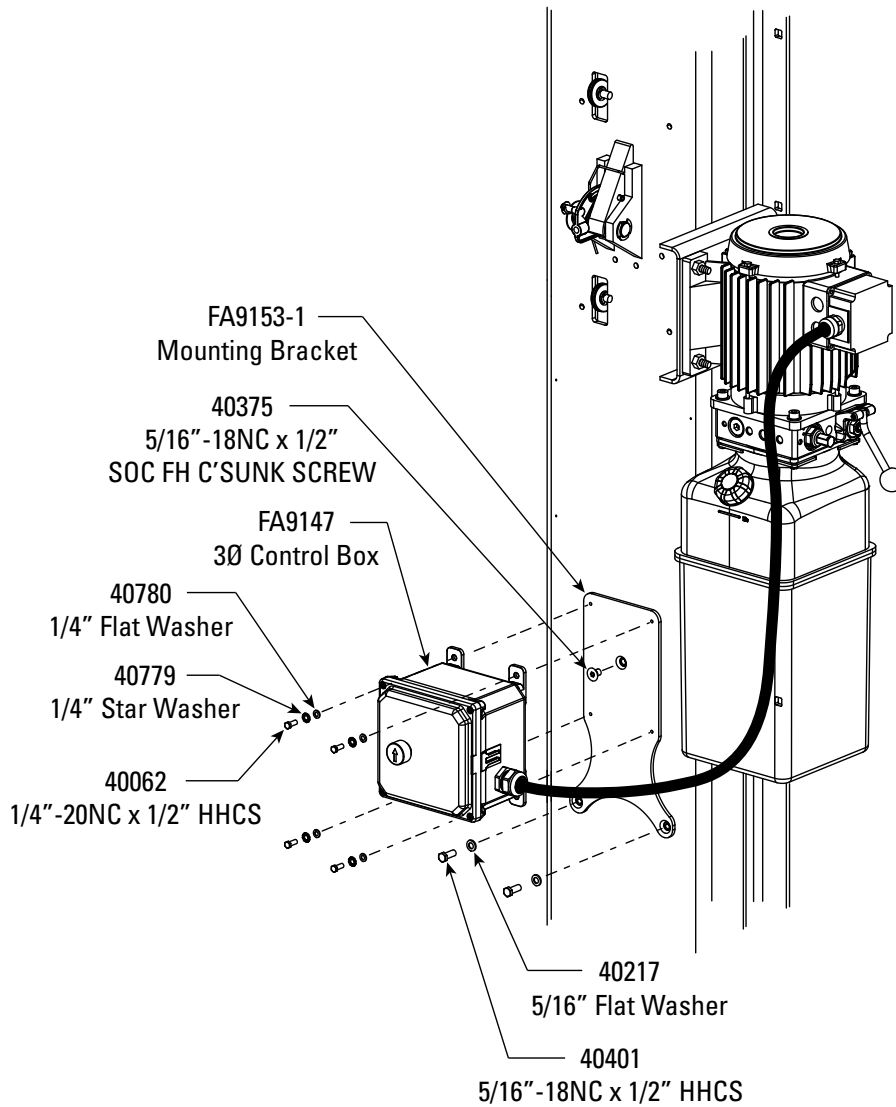
Note: Standard hardware items should be purchased from local hardware source when possible.



Care should be taken to use hardware equal to that specified in this listing. (If grade is not specified, use Grade 2 minimum.)

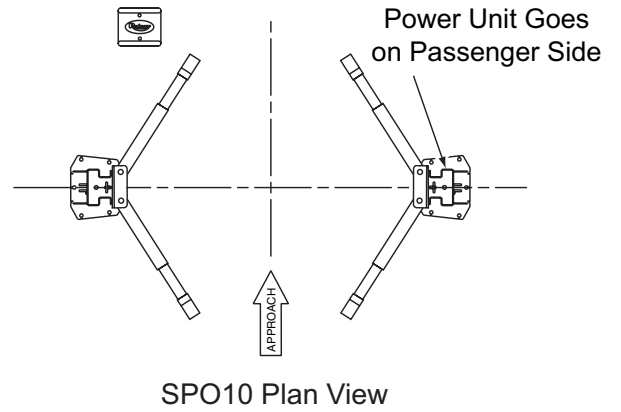
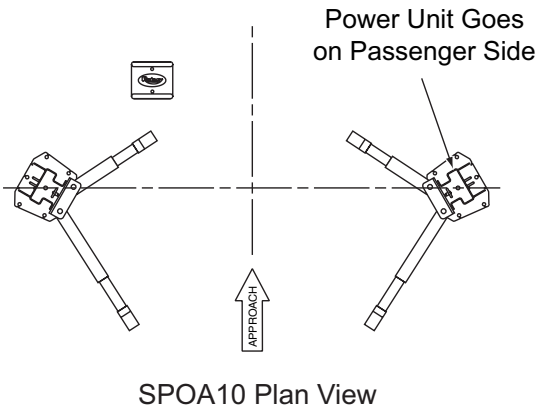


### 3Ø POWER UNIT



FA9147 Includes Items:	
FA9147-1	3Ø Control Box Enclosure with Gasket
FA9147-2	25 AMP Contactor, 3 Pole with 480 Volt Coil GE CR553AB3CAA
FA9147-6	Contactor Coil DB1AB 208-240 Volt for Contactor GE CR553A
FA9147-8	Switch Momentary Push Button with Contact Block
FA9147-9	Cord 600 Volt 4-Wire 42" Long with Ring Terminals

FA9147-12	550-600 Volt Coil GE Pin PB1AD for 575 Volt Lifts Only
-----------	--

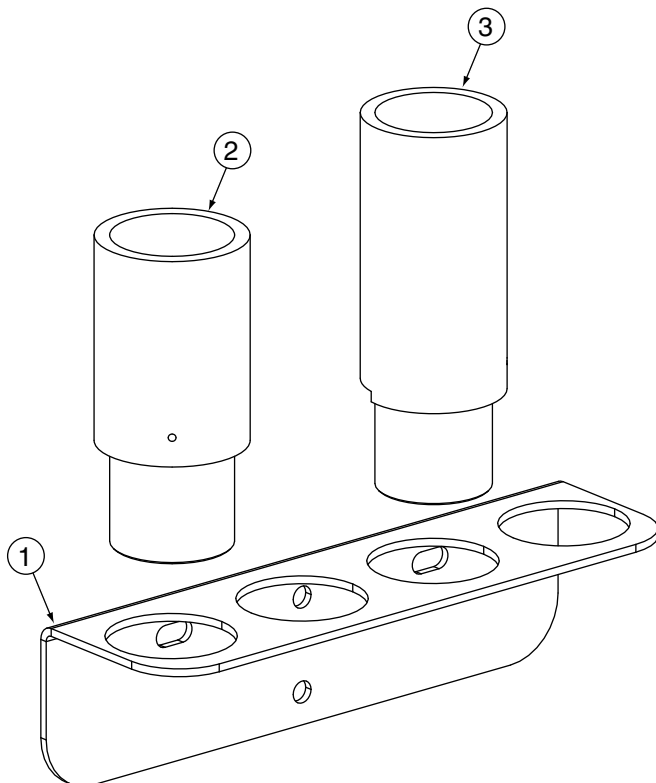


**\*Notes: 5TX, 5GX or 5BX Series?**

To find out if you have a 5TX, 5GX or 5BX series arms look at the **last (3) numbers on the end** of your lift model number.

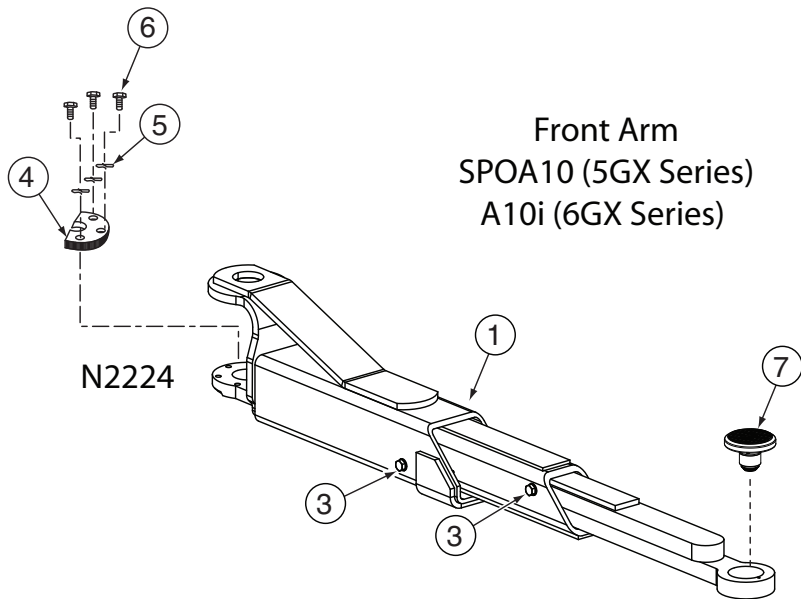
EXAMPLE: SPOA10N**5G5** would be a **5GX Series** model.

Model number can be found on a tag on the side of the lift.  
The "X" is a variable number used to fill the place of the actual last number on your lift model number tag.

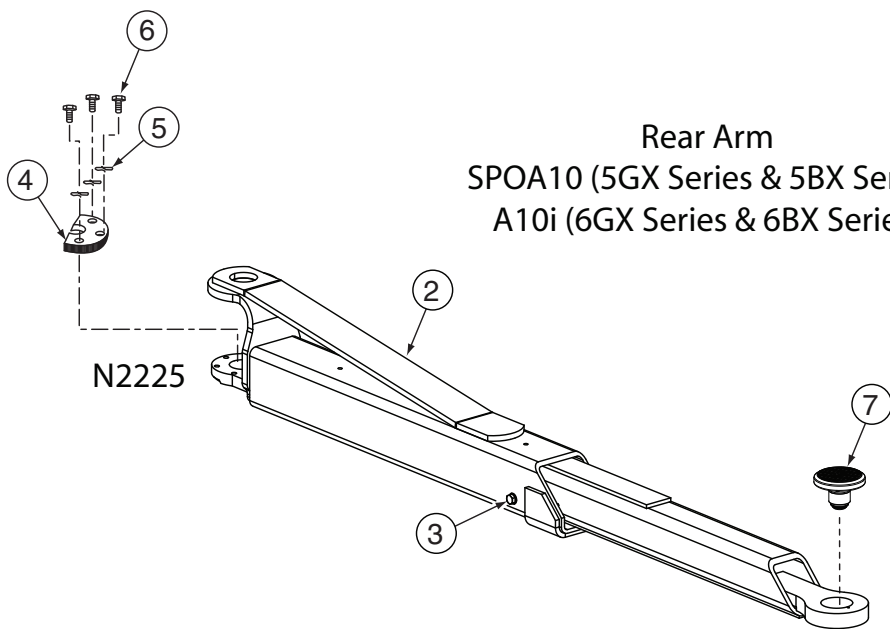


1.	Adapter Rack	FJ6127
2.	3-1/2" (90mm) Adapter Extension	FJ6171-1
3.	5-1/4" (130mm) Adapter Extension	FJ6171-2

# Arm Detail



Front Arm  
SPOA10 (5GX Series)  
A10i (6GX Series)

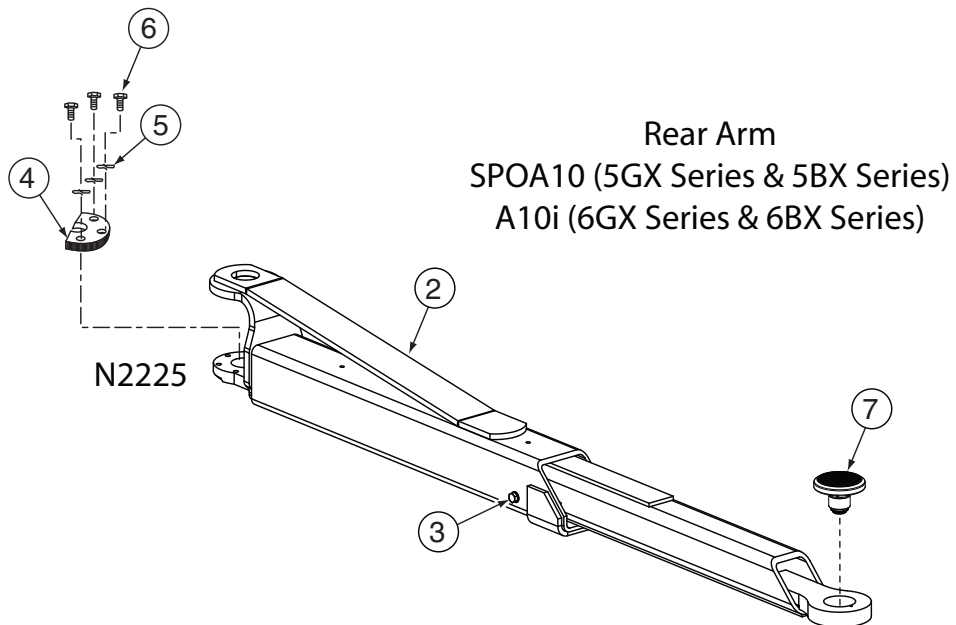
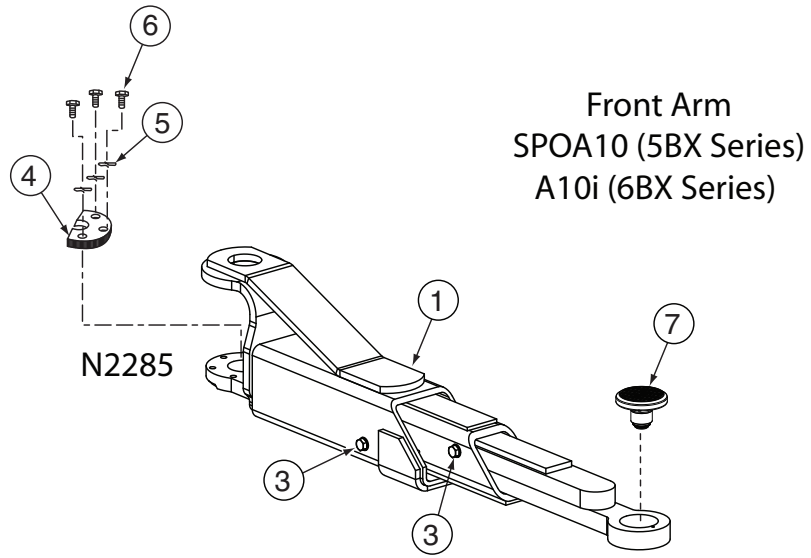


Rear Arm  
SPOA10 (5GX Series & 5BX Series)  
A10i (6GX Series & 6BX Series)

1.	Front Arm SPOA10 (5GX Series)	*N2224
2.	Rear Arm SPOA10 (5GX Series) & (5BX Series)	*N2225
3.	Stop Bolt Assembly	N219
4.	Arm Restraint Gear	N2122
5.	3/8" Spring Washers (For Lifts With Tapped Bearing Bar)	40818

6.	3/8"-16NC x 1-1/2" HHCS Grade 5	40201
7.	Low Profile Adapter Assembly Rubber Pad	FJ6202 FJ6202-3

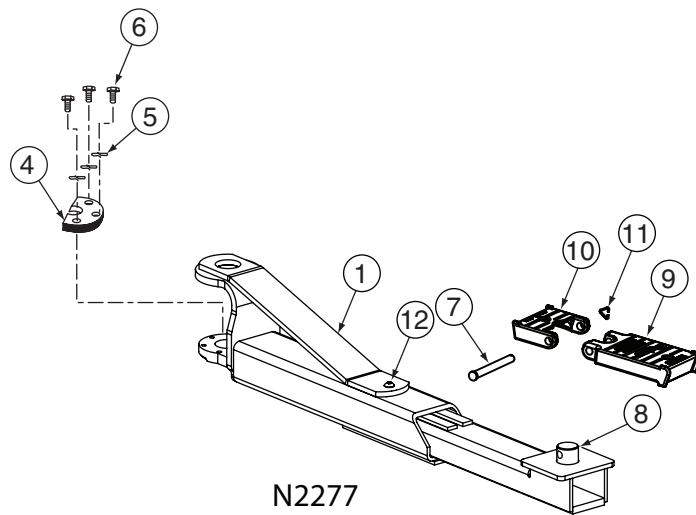
# Arm Detail



1.	Front Arm SPOA10 (5BX Series)	*N2285
2.	Rear Arm SPOA10 (5GX Series) & (5BX Series)	*N2225
3.	Stop Bolt Assembly	N219
4.	Arm Restraint Gear	N2122
5.	3/8" Spring Washers (For Lifts With Tapped Bearing Bar)	40818

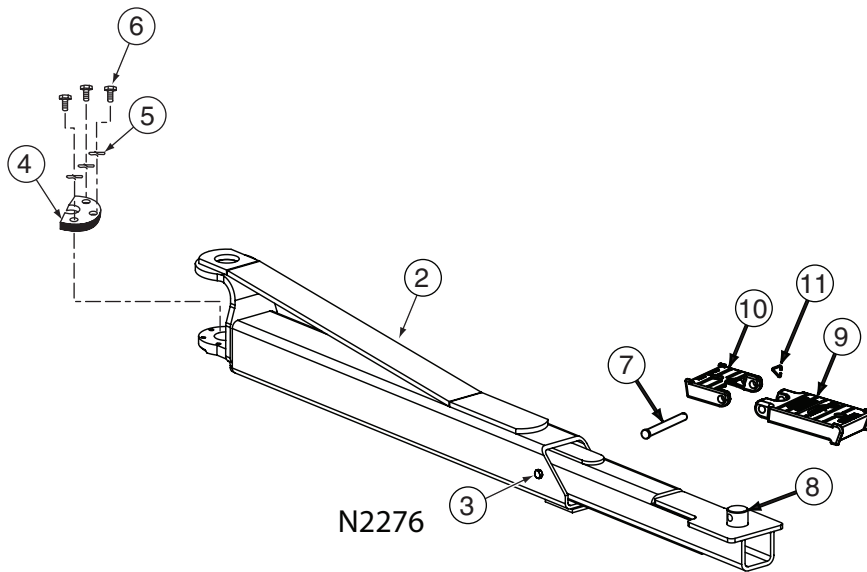
6.	3/8"-16NC x 1-1/2" HHCS Grade 5	40201
7.	Low Profile Adapter Assembly	FJ6202
	Rubber Pad	FJ6202-3

# Arm Detail



N2277

Front Arm  
SPOA10 (70X Series)  
A10i (70X Series)



N2276

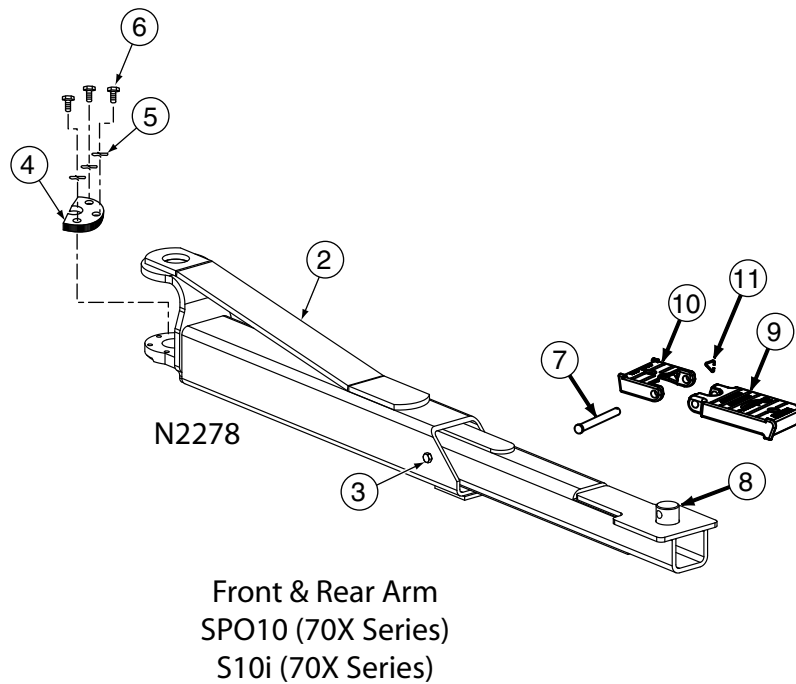
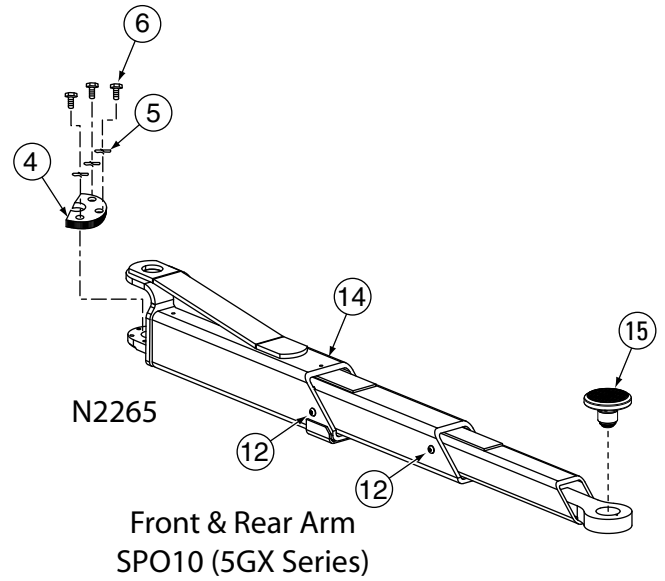
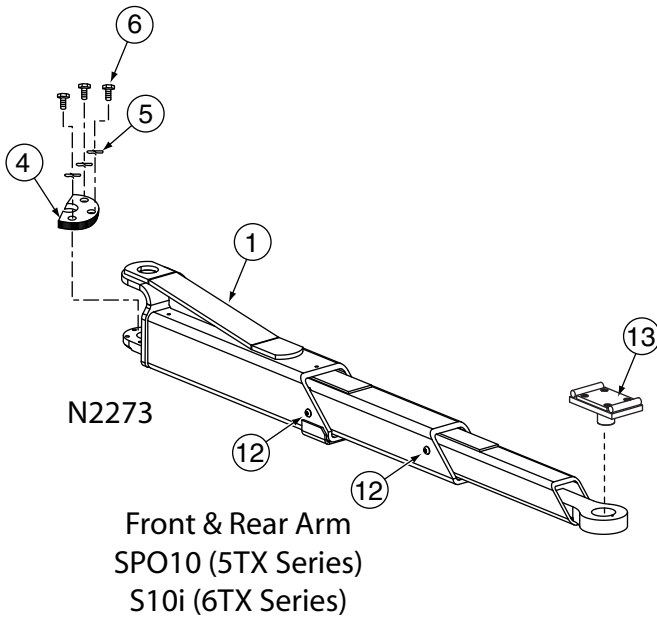
Rear Arm  
SPOA10 (70X Series)  
A10i (70X Series)

1.	Front Arm SPOA10 (70X Series)	*N2277
2.	Rear Arm SPOA10 (70X Series)	*N2276
3.	Stop Bolt 3/8"-16NC x 1/2" Lg. HHCS	40126
4.	Arm Restraint Gear	N2122
5.	3/8" Spring Washers (For Lifts With Tapped Bearing Bar)	40818
6.	3/8"-16NC x 1-1/2" HHCS Grade 5	40201
7.	Adapter Pin	FJ6179
8.	Adapter Swivel Pin	FJ79-6
9.	High Step Adapter	FJ6177

10.	Low Step Adapter	FJ6178
11.	3/32" Hog Ring for 1/2" Shaft (8 required)	FJ671-6
12.	Front Stop Bolt (M10 x 1.5 x 20mm BHCS)	41650



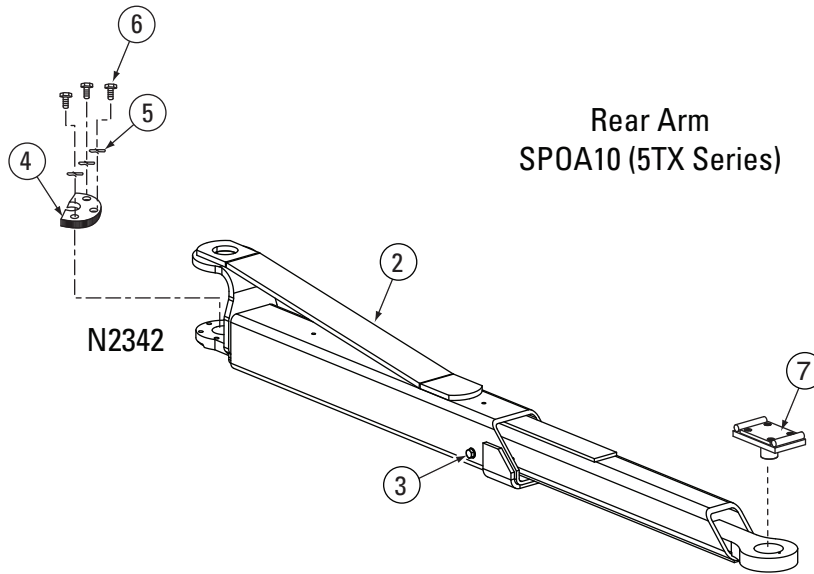
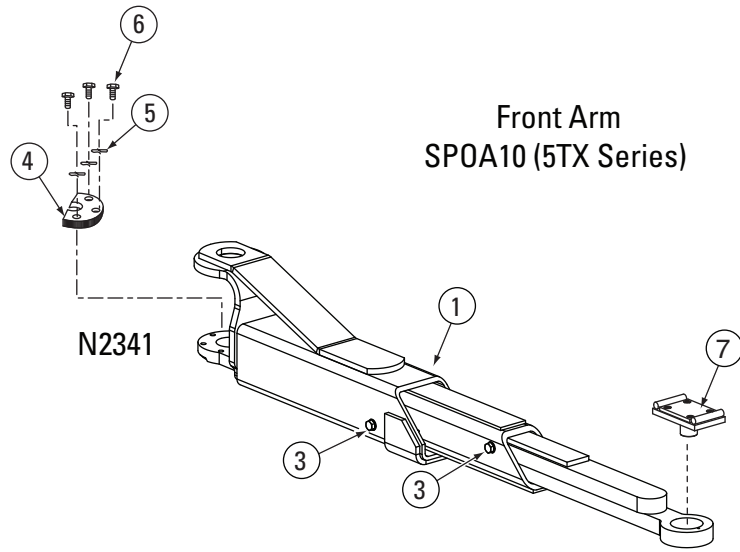
# Arm Detail



1.	Front And Rear Arm SPO10 (5TX Series)	*N2273
2.	Rear Arm SPO10 (70X Series)	*N2278
3.	Stop Bolt 3/8"-16NC x 1-1/2" Lg. HHCS	40126
4.	Arm Restraint Gear	N2122
5.	3/8" Spring Washers (For Lifts With Tapped Bearing Bar)	40818
6.	3/8"-16NC x 1-1/2" HHCS Grade 5	40201
7.	Adapter Pin	FJ6179
8.	Adapter Swivel Pin	FJ79-6
9.	High Step Adapter	FJ6177
10.	Low Step Adapter	FJ6178
11.	3/32" Hog Ring for 1/2" Shaft (8 required)	FJ671-6

12.	Front Stop Bolt (M10 x 1.5 x 20mm BHCS)	N2264-15
13.	Adapter Assembly (SPO10) 3-Stage Arm Rubber Pad	FJ6214 FJ6158-4
14.	Front and Rear Arm SPO10 (5GX Series)	*N2265
15.	Low Profile Adapter Assembly Rubber Pad	FJ6202 FJ6202-3

# Arm Detail



1.	Front Arm SPOA10 (5TX Series)	*N2341
2.	Rear Arm SPOA10 (5TX Series)	*N2342
3.	Stop Bolt Assembly	N219
4.	Arm Restraint Gear	N2122
5.	3/8" Spring Washers (For Lifts With Tapped Bearing Bar)	40818

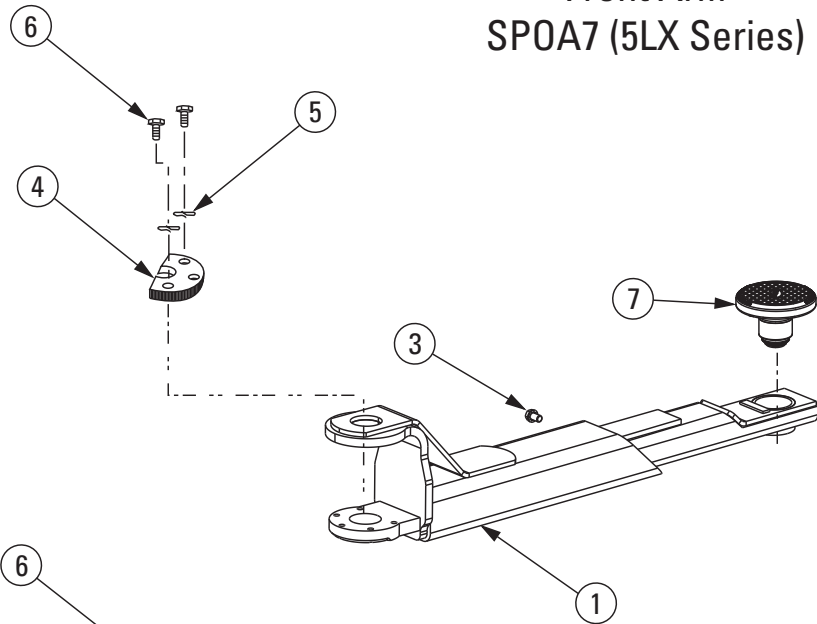
6.	3/8"-16NC x 1-1/2" HHCS Grade 5	40201
7.	Adapter Assembly 3-Stage Arm Rubber Pad	FJ6214 FJ6158-4

# Arm Detail SPOA7 Low Profile Arm

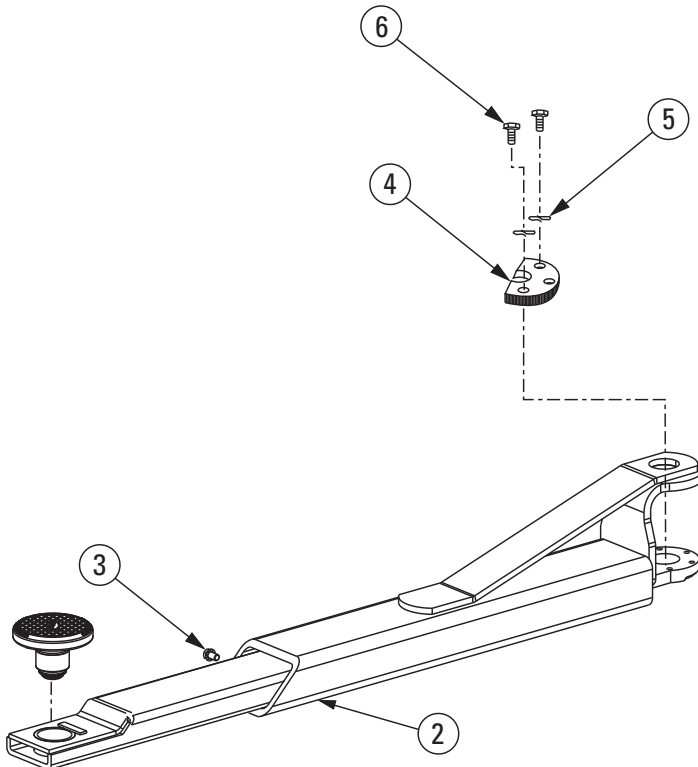
1.	Front Arm SPOA10 (5TX Series)	*N2295
2.	Rear Arm SPOA10 (5TX Series)	*N2294
3.	Stop Bolt Assembly	N219
4.	Arm Restraint Gear	N2122
5.	3/8" Spring Washers (For Lifts With Tapped Bearing Bar)	40818

6.	3/8"-16NC x 1-1/2" HHCS Grade 5	40201
7.	Adapter Assembly 3-Stage Arm Rubber Pad	FJ6202 FJ6202-3

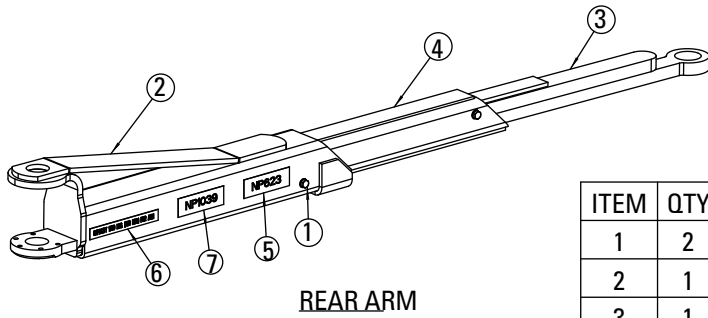
Front Arm  
SPOA7 (5LX Series)



Rear Arm  
SPOA7 (5LX Series)

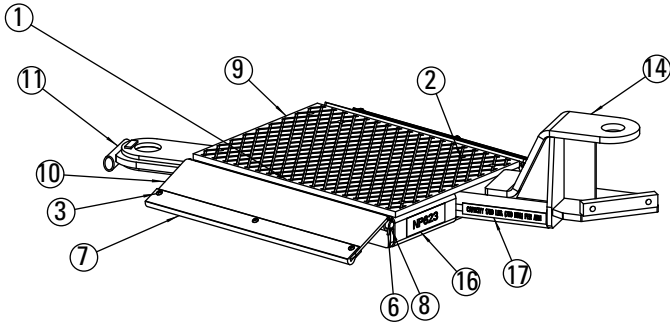


# Arm Detail SPOA7 Hybrid

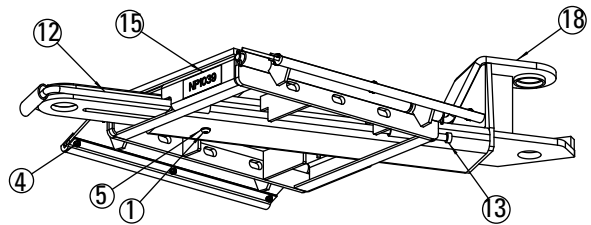


REAR ARM

ITEM	QTY	PART NO.	DESCRIPTION
1	2	N219	STOP BOLT ASSEMBLY
2	1	N2336-1	7K 3-STAGE OUTER ARM WELDMENT
3	1	N2336-2	7K 3-STAGE INNER ARM WELDMENT
4	1	N2336-3	7K 3-STAGE MIDDLE ARM WELDMENT
5	2	NP623	ALWAYS USE ADAPTERS NAMEPLATE
6	2	NP874	CAPACITY NAMEPLATE
7	2	NP1039	USE TRUCK ADAPTERS NAMEPLATE



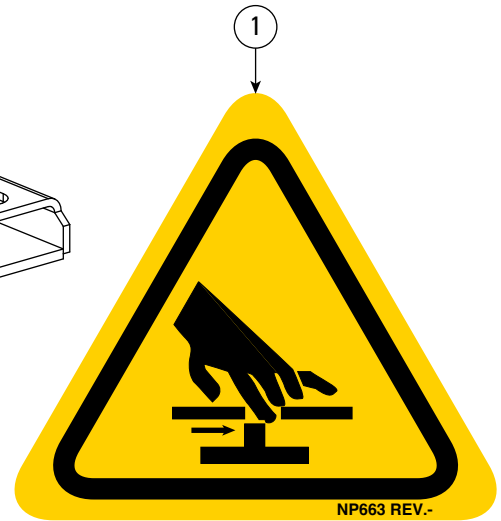
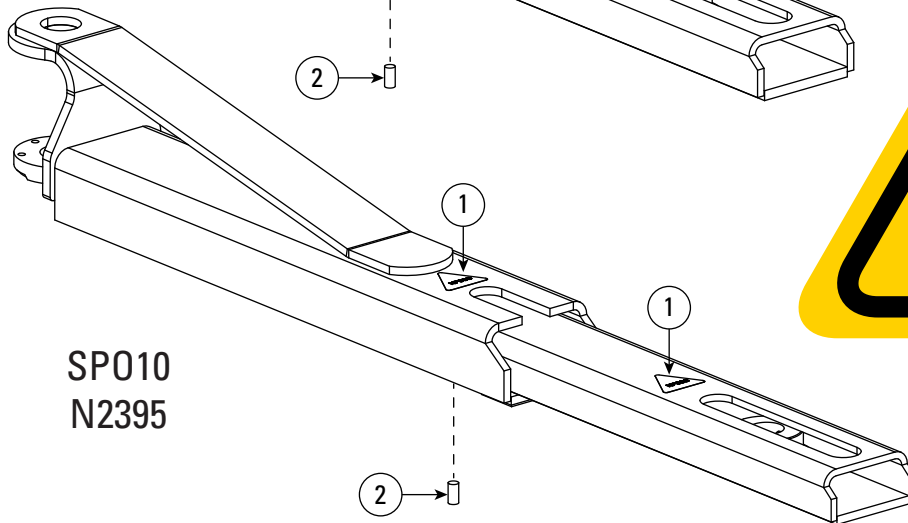
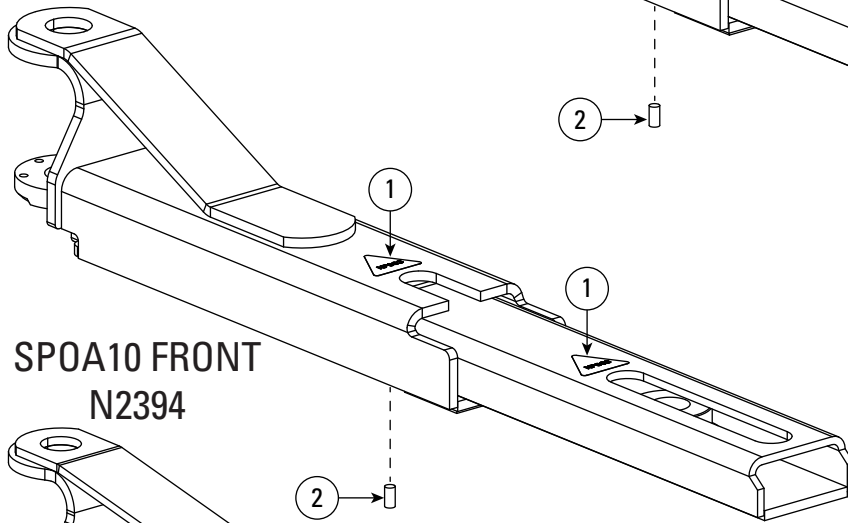
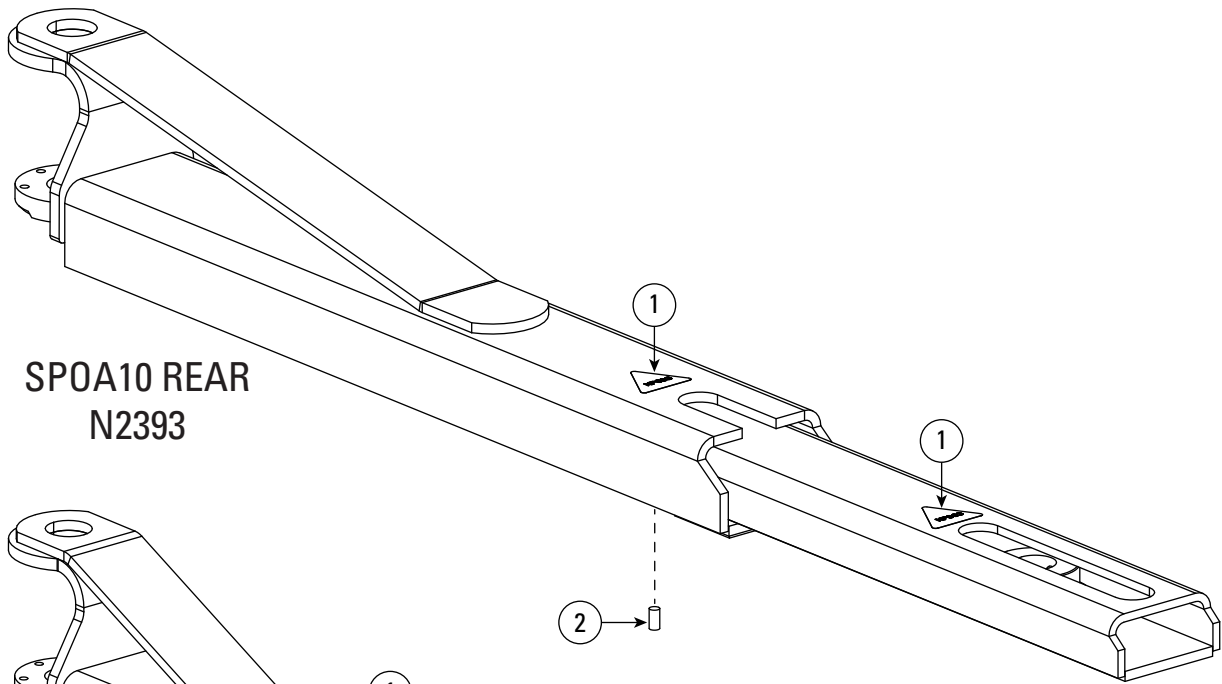
LEFT HAND PAD



RIGHT HAND PAD

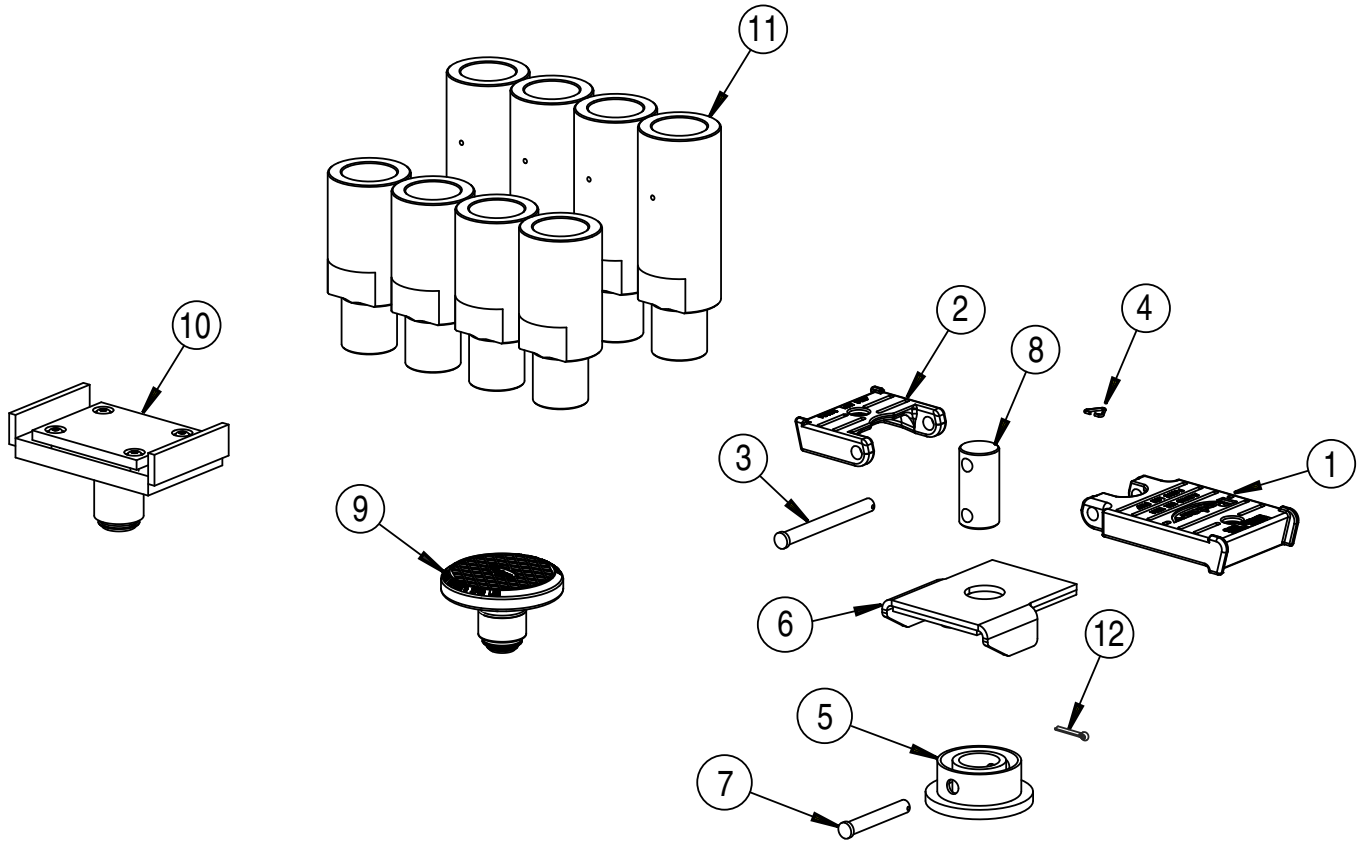
ITEM	QTY	PART NO.	DESCRIPTION
1	1	40157	3/8"-16NC x 3/4" Lg HEX SOC BHCS, GRD2
2	4	40174	1/4 x .475 BLIND RIVET McMASTER-CARR #97517A651 or EQ.
3	6	40192	#10-24NC x 3/4 Lg. PHILLIPS TRUSS HEAD SCREW, PLATED
4	6	40633	#10-24NC HEX FLGD WZLOCK NUT, PLTD
5	1	40843	3/8" INT TOOTH LW, PLTD
6	4	41202	5/32" x 1" Lg COTTER PIN
7	2	FC134-33	RAMP CHOCK SLIDE
8	2	FC5179-5	PIN
9	1	FJ2494	FRONT PAD RUBBER PAD
10	2	N2249	2-POST PAD LIFT RAMP WELDMENT
11	1	N2338-6	FRONT PAD INNER ARM WELDMENT
12	1	N2338-13	FRONT PAD INNER ARM ACTUATOR BAR
13	1	N2338-16	INNER ARM ACTUATOR ROD THUMB SCREW
14	1	N2339-1	LEFT HAND FRONT PAD WELDMENT
15	1	NP1039	USE TRUCK ADAPTER NAMEPLATE
16	1	NP623	RUBBER PAD ADAPTER NAMEPLATE
17	1	NP874	CAPACITY 1750 LBS NAMEPLATE
18	1	N2338	RIGHT HAND FRONT PAD WELDMENT

# 800 Series Arms Detail



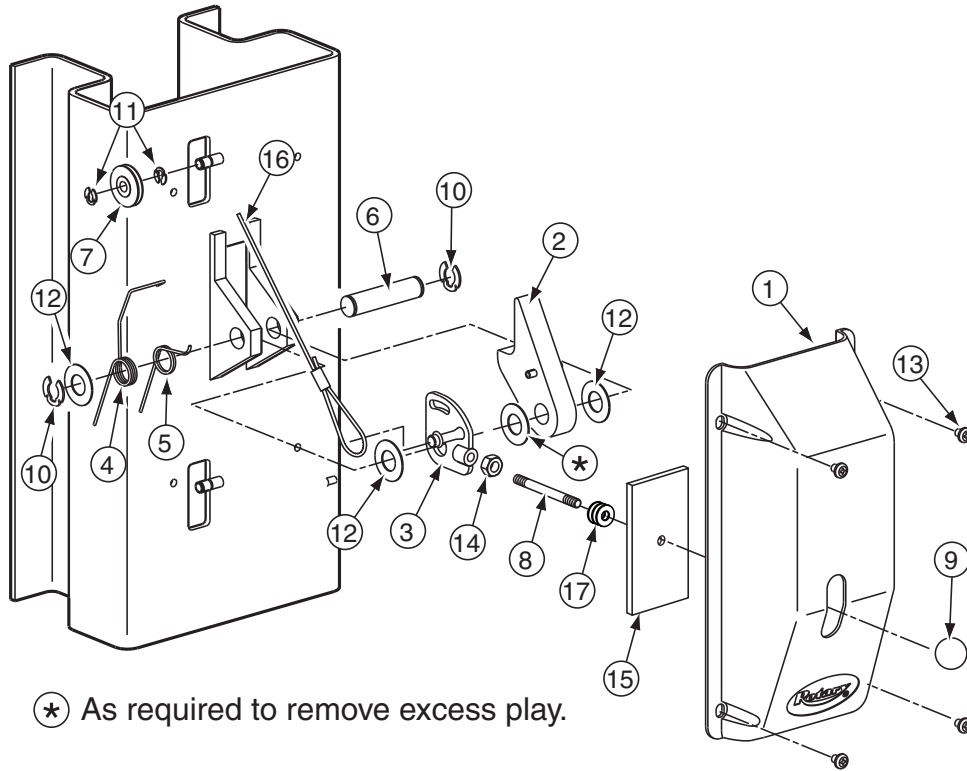
1.	Pinch Point Decal	NP663
2.	3/8-16 x 3/4" Set Screw**	40319
	1/2-13 x 3/4" Set Screw**	41746
**Set Screw Part Number Dependent Upon Specific Version		

# 800 Series Options Detail



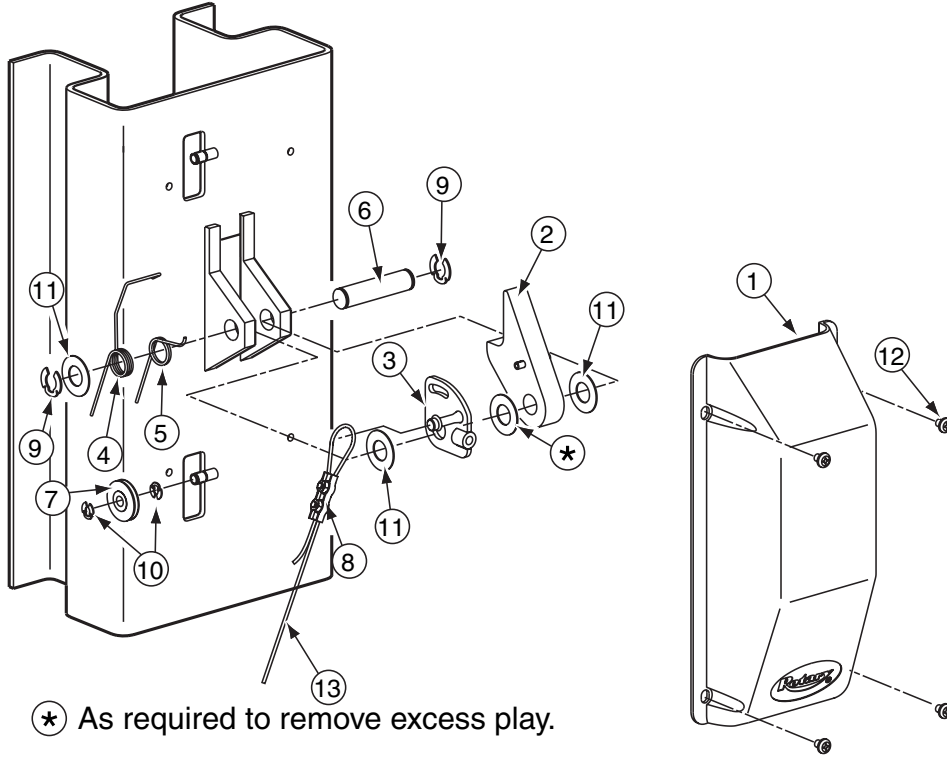
ITEM	DESCRIPTION	PART
1	High Step Adapter	FJ6177
2	Low Step Adapter	FJ6178
3	Adapter Pin	FJ6179
4	3/32" Hog Ring For 1/2" Shaft	FJ671-6
5	Adapter Insert	T120309
6	Load Plate Weldment	FJ6233
7	Adapter Insert Pin	T130669
8	Swivel Pin	T130668
9	Low Profile Round RA Adapter	FJ6219
10	Truck Adapter	T110564
11	Extension Adapter Kit (Sold Separately)	T100271
12	7/64" x 3/4" Cotter Pin	41205

# Locking Latch Detail (Right Column)



ITEM	DESCRIPTION	PART#
1.	Control Side Cover.....	FJ7452
2.	Locking Latch Dog.....	N616
3.	Control Plate.....	FJ7594-2
4.	Spring.....	FJ7566-10
5.	Spring.....	FJ7382-9
6.	Latch Shaft.....	FJ7382-34
7.	Locking Latch Sheave.....	FJ7322
8.	Handle.....	FJ7382-18
9.	Ball Handle.....	FC134-91
10.	Truarc Klipring #5304-75 for 3/4" Shaft.....	41411
11.	Truarc Klipring #5304-37 for 3/8" Shaft.....	41410
12.	1-1/2" O.D. x 3/4" I.D. x .045" Mach. Bush.....	41388
13.	5/16"-18NC x 3/8" Lg. PHMS.....	40227
14.	3/8" - 16NC Hex Jam Nut.....	40658
15.	Slot Cover.....	N617
16.	Locking Latch Cable.....	FJ7600
17.	3/8" Flat Washer.....	40820

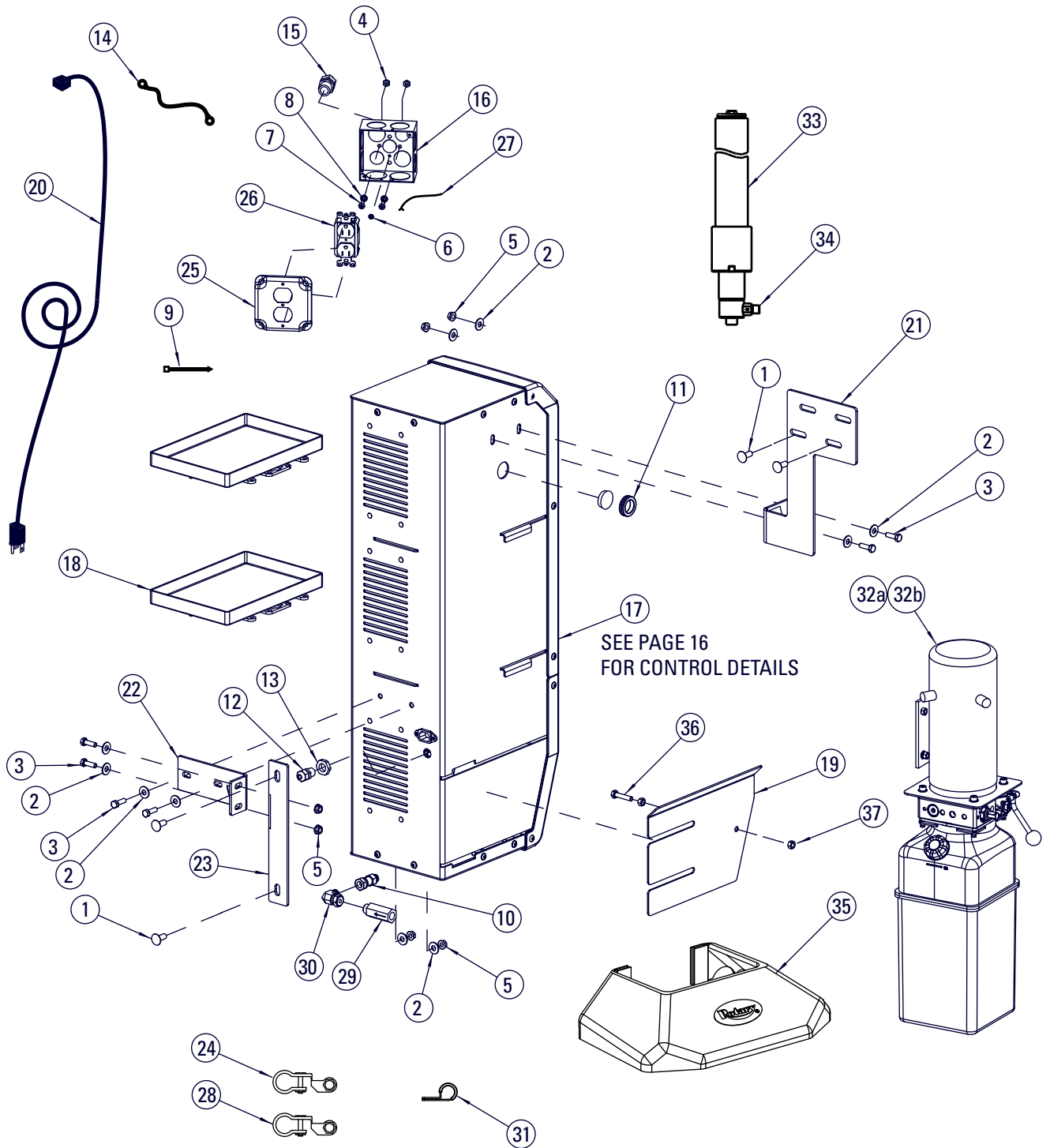
# Locking Latch Detail (Left Column)



ITEM	DESCRIPTION	PART#
1.	Latch Cover .....	FJ7451
2.	Locking Latch Dog .....	N616
3.	Control Plate .....	FJ7594-2
4.	Spring.....	FJ7566-10
5.	Spring.....	FJ7382-9
6.	Latch Shaft.....	FJ7382-34
7.	Locking Latch Sheave.....	FJ7322
8.	Latch Cable Clamp.....	N63-1
9.	Truarc Klipring #5304-75 for 3/4" Shaft.....	41411
10.	Truarc Klipring #5304-37 for 3/8" Shaft.....	41410
11.	1-1/2" O.D. x 3/4" I.D. x .045" Mach. Bush.....	41388
12.	5/16"-18NC x 3/8" Lg. PHMS.....	40227
13.	Locking Latch Cable .....	FJ7600



# Shockwave Detail

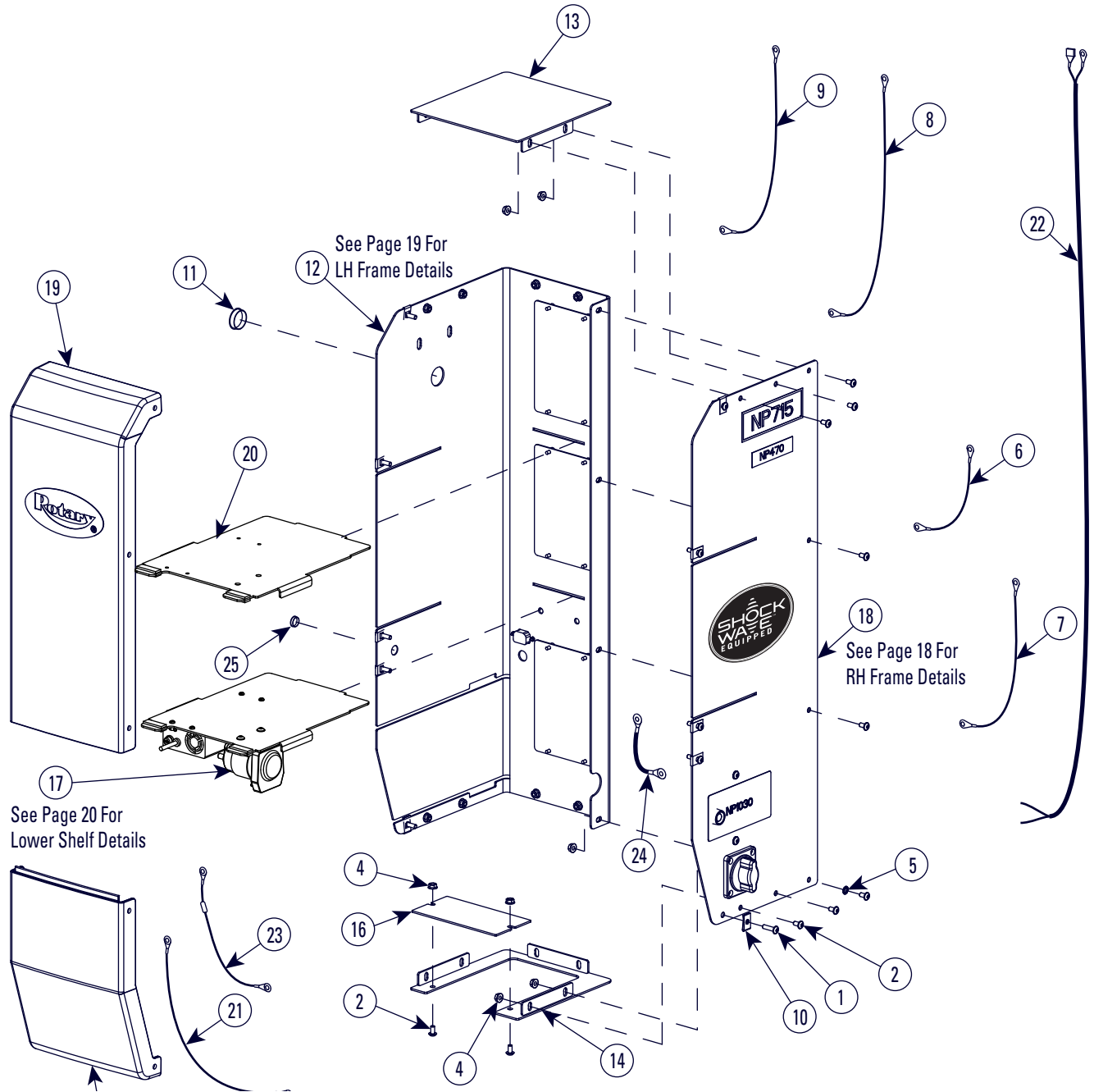


## DC CONTROL MOUNTING

# Shockwave Detail

ITEM	PART NO.	DESCRIPTION
1	40167	3/8"-16NC x 1" Lg. CAR. BOLT, Gr. 5, PLTD.
2	40217	5/16" USS FLAT WASHER, PLTD
3	40221	5/16"-18NC x 1" Lg HHCS, GRD5 PLTD
4	40650	#12-24NC HEX NUT, PLTD
5	40678	5/16"-18NC HEX FLGD WZLOCK NUT, PLTD
6	FA997-1	#10-32 x 1/4" Lg. HEX WHSFTS, PLTD, COLORED GREEN
7	41526	#12-24NC x 3/4" Lg. PHIL. PHMS, PLTD
8	41527	#12 EXT TOOTH LW, PLTD
9	629888	TY-RAP CABLE TIE, NYLON, BLACK, 11 1
10	EFX60010319	ADAPTER, STRAIGHT THREAD/ SWIVEL (ORB/ORFS 6X6)
11	FA7180-31	WIRE GROMMET
12	FA7189-14	3/8" NPT STRAIN RELIEF
13	FA7189-15	3/8" NPT LOCKNUT
14	FA7616	BATTERY-BATTERY CABLE
15	FA7958-28	CORD GRIP
16	FA997	JUNCTION BOX
17	FA966	DC CONTROL ASSEMBLY
18	FA966-16	BATTERY TRAY
19	FA966-47	BATTERY CABINET 2-POST SPLASH SHIELD
20	FA966-51	10FT UNIVERSAL POWER CORD (NEMA 5-15P TO IEC320C13)
21	FA966-55	BATTERY CABINET UPPER MOUNTING BRKT WELD
22	FA966-56	BATTERY CABINET MOUNTING BRKT WELD
23	FA966-57	BATTERY CABINET MOUNTING COLUMN BRKT WELD
24	FA979	POSITIVE BATTERY TERMINAL END
25	FA980-1	DUPLEX RECEPTACLE COVER 4" SQUARE BOX
26	FA980-2	DUPLEX FEMALE RECEPTACLE
27	FA980-3	GROUND WIRE
28	FA981	NEGATIVE BATTERY TERMINAL END
29	FJ71003	FLOW REGULATOR
30	FJ71007	MALE ORFS x FEMALE ORFS SWIVEL ELBOW
31	FJ7669	COLUMN HOSE CLAMP
32a	P3577	DC POWER UNIT - PAD LIFT
32b	P3579	DC POWER UNIT - ARM LIFT
32c	P3586	DC POWER UNIT - SPO12
33	N3151Y	HYDRAULIC CYLINDER
34	FJ7352-3	ADAPTER
35	N539	BASE PLATE COVER (FOR SPOA10 & SPO10 MODELS ONLY)
36	40271	5/16"-18NC x 1-1/2" HHCS FULL THREAD
37	40670	5/16"-18NC HEX NUT

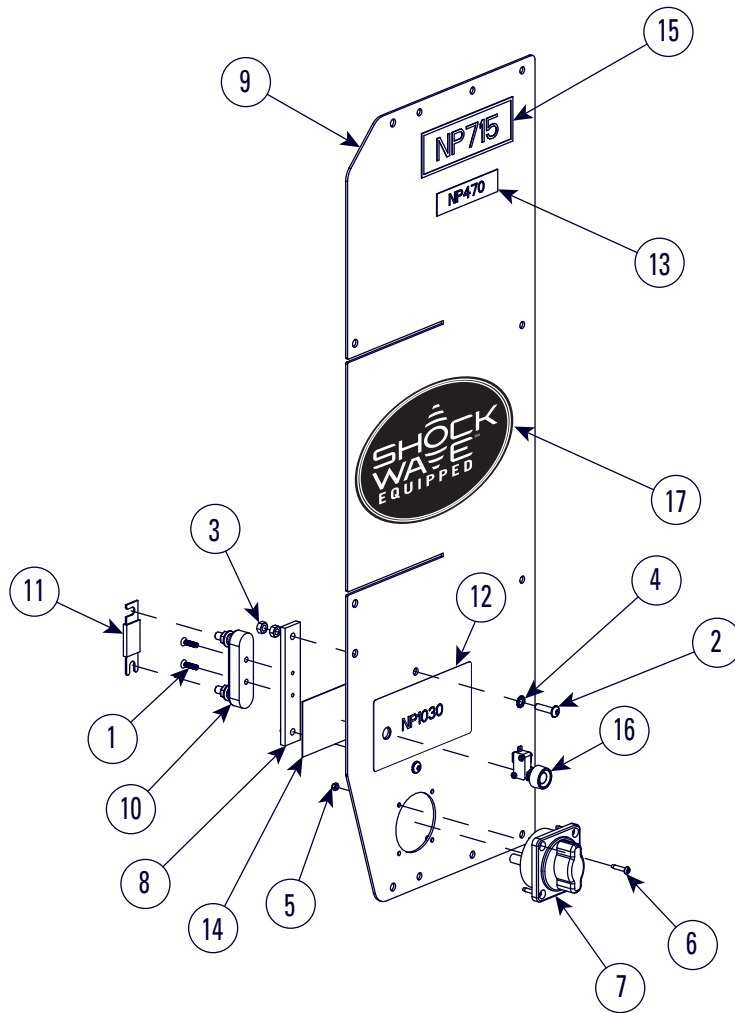
# Shockwave Detail



# Shockwave Detail

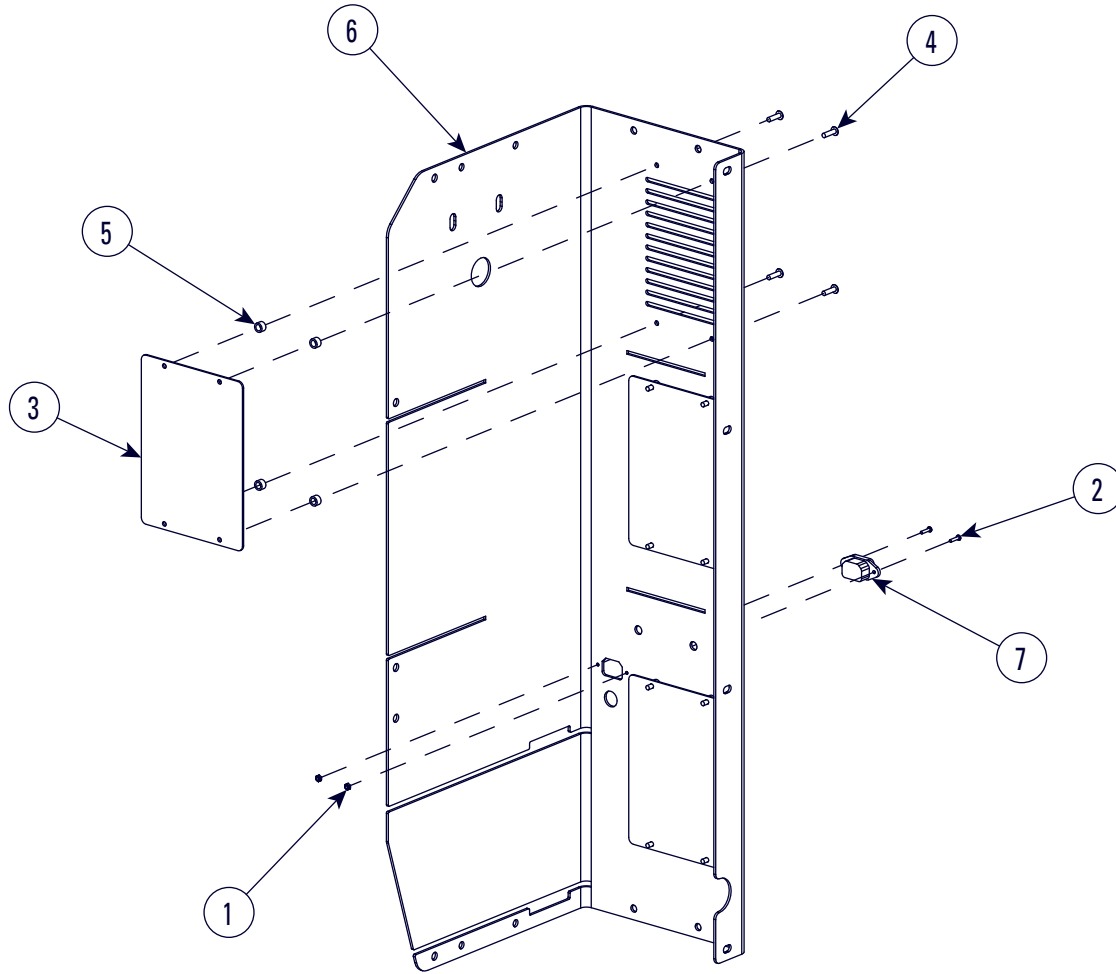
DC CONTROL		
ITEM	PART NO.	DESCRIPTION
1	40077	1/4"-20NC x 1" Lg FLGD HEX SOC BHCS, GRD2
2	40094	1/4"-20NC x 1/2" Lg FLGD HEX SOC BHCS
3	NA	NA
4	40641	1/4"-20NC HEX FLGD WZLOCK NUT, PLTD
5	40779	1/4" EXT TOOTH LW
6	FA7618	DISCONNECT-FUSE CABLE
7	FA7619	FUSE-CONTACTOR CABLE
8	FA7667	BATTERY-DISCONNECT CABLE
9	FA7668	BATTERY-MOTOR CABLE
10	FA966-22	CLIP-ON NUT
11	FA966-34	1-1/4" HOLE PLUG
12	FA966-37	BATTERY CABINET LH FRAME ASSY
13	FA966-39	BATTERY CABINET TOP COVER WELDMENT
14	FA966-42	BATTERY CABINET BOTTOM COVER WELDMENT
15	FA966-45	BATTERY CABINET FRONT BOTTOM COVER
16	FA966-46	BATTERY CABINET SMALL BOTTOM COVER
17	FA966-48	BATTERY CABINET LOWER SHELF ASSEMBLY
18	FA986-1	BATTERY CABINET RH FRAME ASSEMBLY
19	FA966-50	BATTERY CABINET FRONT TOP COVER ASSY
20	FA966-58	BATTERY CABINET SHELF WELD
21	FA970	CONTACTOR HARNESS
22	FA971	OVERHEAD HARNESS
23	FA978	DISCONNECT HARNESS
24	FA982	GROUND WIRE
25	FA966-60	TRANSPARENT HOLE PLUG

# Shockwave Detail



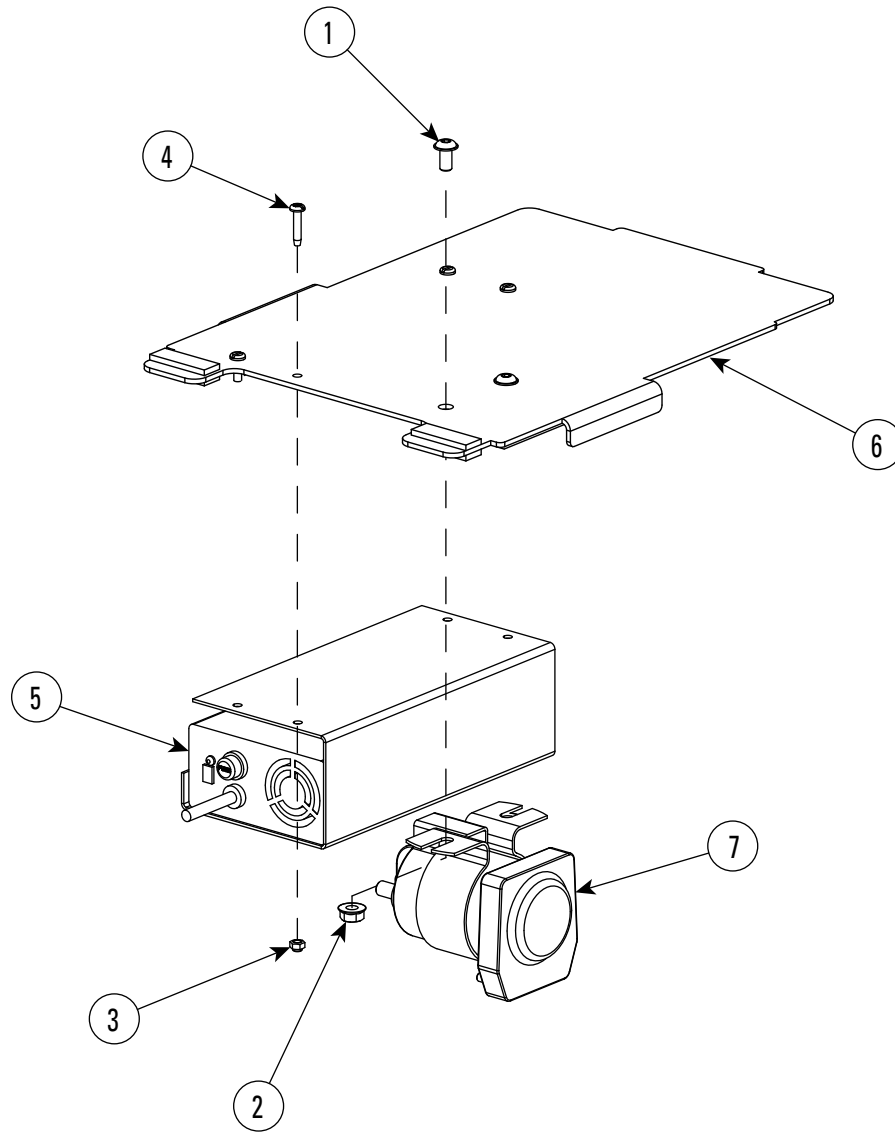
RIGHT HAND FRAME ASSEMBLY		
ITEM	PART NO.	DESCRIPTION
1	40004	#10-24 x 5/8 PFHMS, McMASTER-CARR # 90471A315 or EQUAL
2	40077	1/4"-20NC x 1" Lg FLGD HEX SOC BHCS, GRD2
3	40627	1/4"-20NC HEX NUT, PLTD
4	40779	1/4" EXT TOOTH LW
5	450957	#8-32NC NYLON LOCKNUTS
6	40022	#8-32NC X 1/2" Lg PHMS
7	FA7958-4	DC DISCONNECT SWITCH
8	FA966-8	FUSE HOLDER MOUNTING BRACKET
9	FA986-10	BATTERY CABINET RH FRAME
10	FA975	FUSE HOLDER
11	FA975-1	350 AMP FUSE
12	NP1030	PUSHBUTTON NAMEPLATE
13	NP470	MOTOR LOCATION WARNING LABEL
14	NP692	NAMEPLATE
	NP1066	NAMEPLATE
15	NP715	NAMEPLATE
16	P1483	LIMIT SWITCH ASSEMBLY
17	NP1067	SHOCKWAVE DECAL

# Shockwave Detail



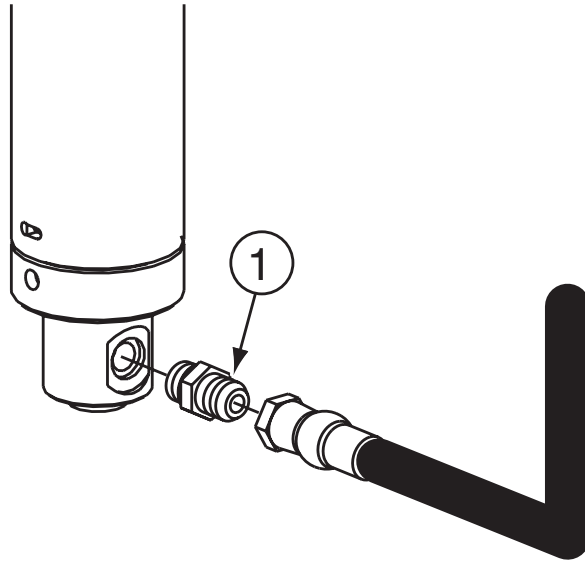
LEFT HAND FRAME ASSEMBLY		
ITEM	PART NO.	DESCRIPTION
1	41628	#4-40 NYLON INSERT LOCKNUT MMC #90633A005
2	796443	#4-40 x 1/2 Lg. PHMS, PLTD
3	FA966-17	SPLASH SHIELD
4	FA966-18	DOME HEAD RIVET
5	FA966-21	SPACER
6	FA966-52	BATTERY CABINET LH FRAME FORMING
7	FA983	CHARGER INTERNAL POWER CORD

# Shockwave Detail



LOWER SHELF ASSEMBLY		
ITEM	PART NO.	DESCRIPTION
1	40094	1/4"-20NC x 1/2" Lg FLGD HEX SOC BHCS
2	40641	1/4"-20NC HEX FLGD WZLOCK NUT, PLTD
3	450957	#8-32NC NYLON LOCK NUT
4	40022	#8-32NC x 1/2" LG. PHMS
5	FA966-62	24V 8A CHARGER ASSEMBLY
6	FA966-58	BATTERY CABINET SHELF WELD
7	FA976	DC CONTACTOR

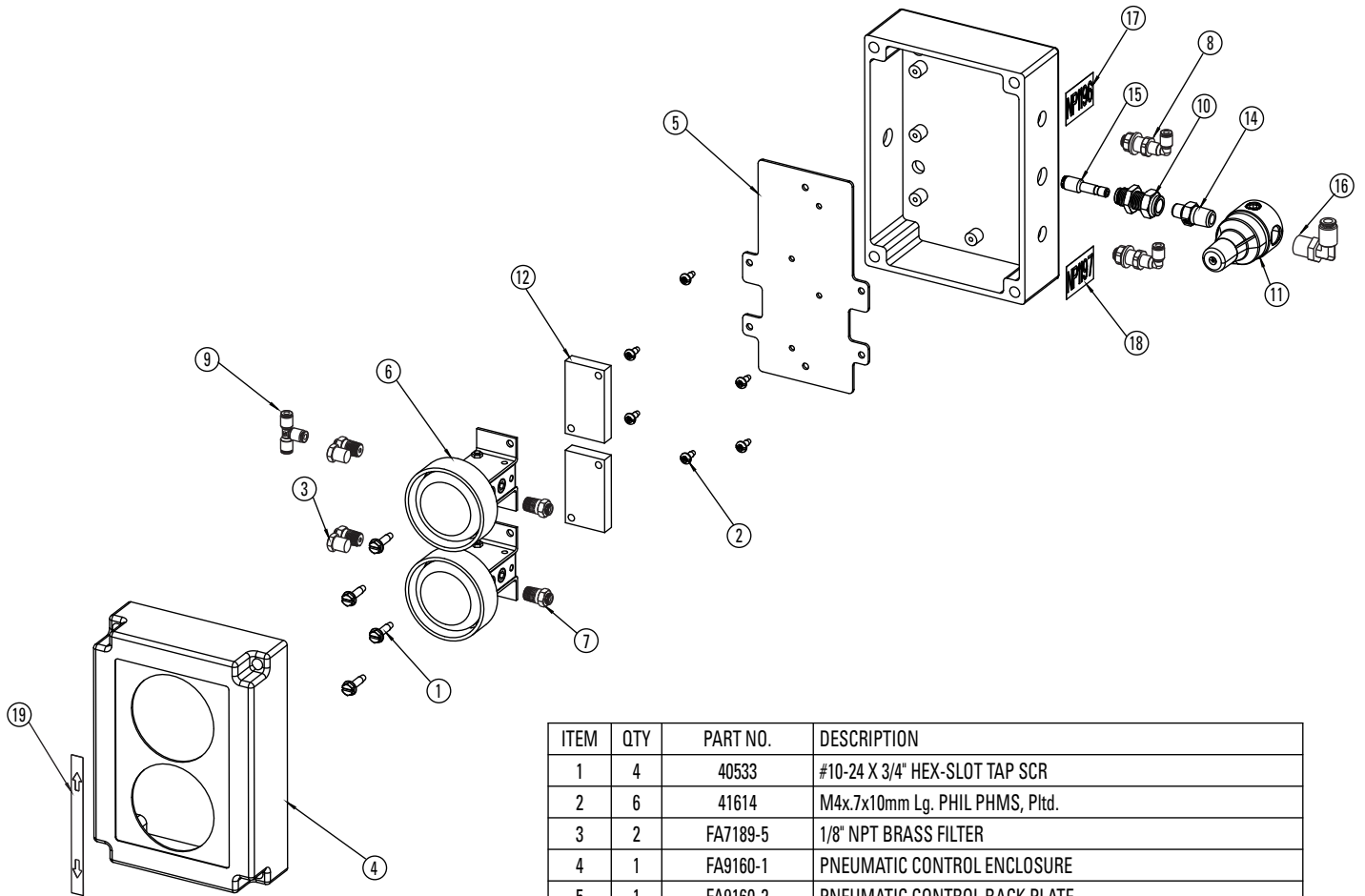
# Cylinder Hose Adapter Detail



ITEM	DESCRIPTION	PART#
1.	Straight Adapter.....	FJ7352-3



# Pneumatic Control Panel



ITEM	QTY	PART NO.	DESCRIPTION
1	4	40533	#10-24 X 3/4" HEX-SLOT TAP SCR
2	6	41614	M4x.7x10mm Lg. PHIL PHMS, Pltd.
3	2	FA7189-5	1/8" NPT BRASS FILTER
4	1	FA9160-1	PNEUMATIC CONTROL ENCLOSURE
5	1	FA9160-2	PNEUMATIC CONTROL BACK PLATE
6	2	FA9160-3	LIGHT TOUCH PNEUMATIC ACTUATOR
7	4	FC67-97	STRAIGHT FITTING 5/32" TUBE TO 1/8" NPTF (MALE)
8	2	FA9160-14	SWIVEL ELBOW BULKHEAD FITTING FOR 5/32" TUBE
9	1	450932	UNION TEE FOR 5/32" PRESS-TO-LOCK
10	1	FA7189-4	THROUGH-WALL BULKHEAD ADAPTER 1/8" NPTF(F) TO 1/4" TUBE
11	1	FA9160-9	NON-ADJUSTABLE PRESSURE REGULATOR (40 PSI)
12	2	FA9160-10	SPACER
13	1	FA9160-15	5/32" O.D. AIR TUBE
14	1	FA9160-12	HEX NIPPLE 1/8" NPTF(M) TO 1/4" NPTF(M)
15	1	FA793-6	1/4" TO 5/32" TUBE END REDUCER
16	1	FC5341-90	MALE ELBOW CONNECTOR
17	1	NP1196	AIR OULET (RAISING) NAMEPLATE
18	1	NP1197	AIR OULET (LOWERING) NAMEPLATE
19	1	NP1200	DIRECTIONAL ARROWS NAMEPLATE

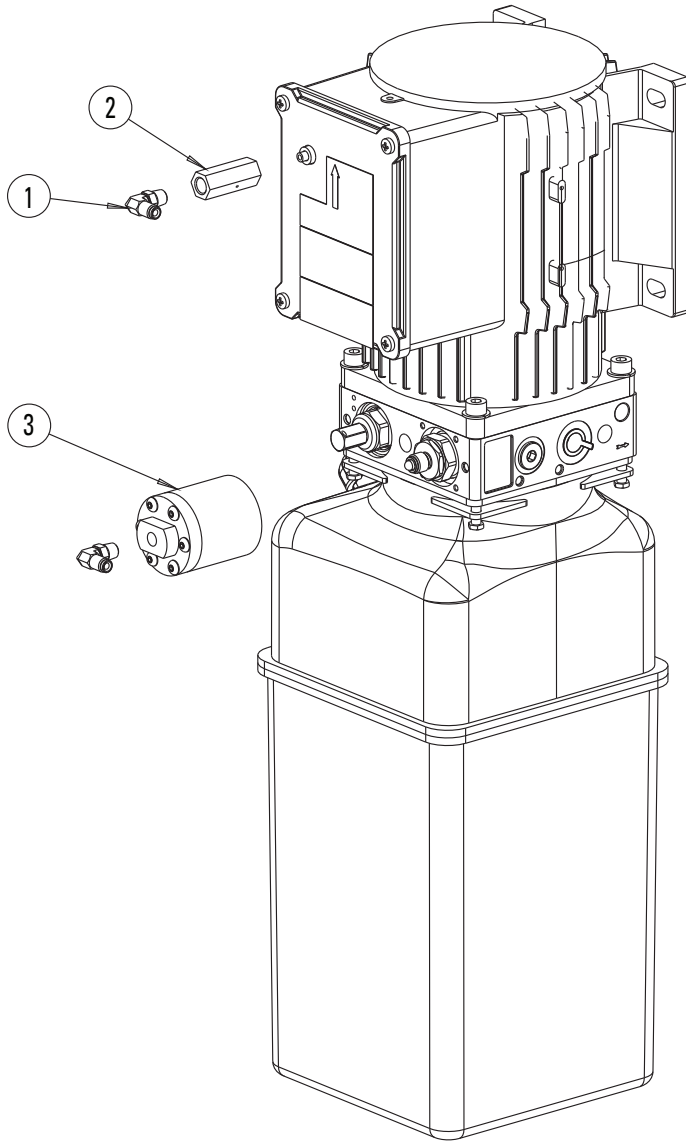
Note: FA9160-15 not shown

# Power Unit for use with Pneumatic Control Panel

60 Hz Model - P3666

50 Hz Model - P3667

**Note:** P3666 and P3667 are identical to the standard single phase power unit except for the addition of the T140245 and FA9161.



ITEM	QTY	PART NO.	DESCRIPTION
1	2	FA793-3	SWIVEL ELBOW 1/8" NPTF (MALE) TO 5/32" TUBE
2	1	FA9161	AIR TO ELECTRIC SWITCH
3	1	T140245	PNEUMATIC ACTUATOR



**Rotary World Headquarters**

2700 Lanier Drive  
Madison, IN 47250, USA  
[www.rotarylif.com](http://www.rotarylif.com)

**North America Contact Information**

Tech. Support:

p 800.445.5438  
f 800.578.5438  
e [userlink@rotarylif.com](mailto:userlink@rotarylif.com)

Sales:

p 800.640.5438  
f 800.578.5438  
e [userlink@rotarylif.com](mailto:userlink@rotarylif.com)

**World Wide Contact Information**

World Headquarters/USA: 1.812.273.1622  
Canada: 1.905.812.9920  
European Headquarters/Germany: +49.771.9233.0  
United Kingdom: +44.178.747.7711  
Australasia: +60.3.7660.0285  
Latin America / Caribbean: +54.3488.431.608  
Middle East / Northern Africa: +49.771.9233.0

**© Vehicle Service Group<sup>SM</sup>**

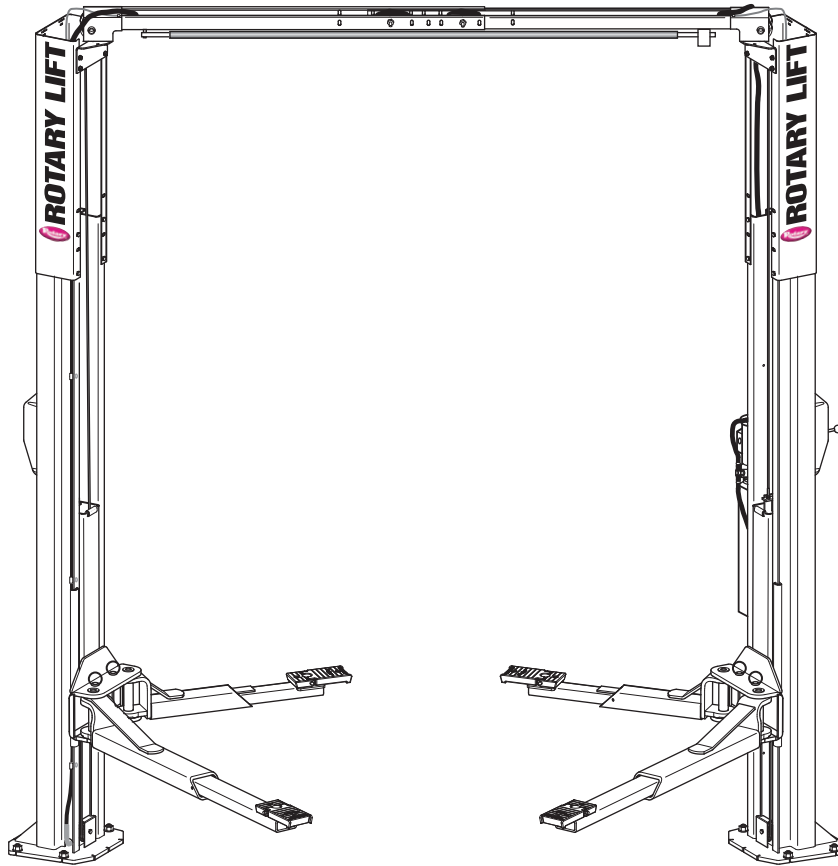
Printed in U.S.A., All Rights Reserved. Unless otherwise indicated, ROTARY, and all other trademarks are property of Dover Corporation and its affiliates.





# SPOA10, SP010, SPOA7 Modelos Híbridos y Shockwave™

(Elevadores de la serie 500, 700 y 800)  
Capacidad de 10.000 lbs (4.536 kg.)



D  
E  
S  
G  
L  
O  
S  
E  
  
D  
E  
P  
I  
E  
Z  
A  
S

**IMPORTANTE:** Al ordenar partes o solicitar servicio siempre dé el modelo exacto y el número de serie de la unidad de energía. El número de modelo se muestra en la placa adjunta en la columna de la unidad de energía. El número de serie de la unidad de alimentación se encuentra a un lado de ésta.

**REGISTRO DEL PROPIETARIO**  
Complete la información a la derecha y guárdela en un lugar seguro.

Fecha de Instalación \_\_\_\_\_

Instalado en la Bahía No. \_\_\_\_\_

No. de Serie de la Unidad de Energía \_\_\_\_\_

No. de Modelo de la Unidad de Energía \_\_\_\_\_

Nº de Serie del Elevador \_\_\_\_\_

Nº de Modelo del Elevador \_\_\_\_\_

**NOTA:** Para piezas de repuesto: Vea a su Distribuidor de Piezas Rotary más cercano.



1.	Izquierda Soldadura de columna estándar .....	N752
	Izquierda Soldadura de columna sísmica .....	N766
2.	Derecha Soldadura de columna estándar .....	N755
	Derecha Soldadura de columna sísmica.....	N768
3.	Extensión de la Columna	
	Altura estándar .....	N470
	MODELO EH-1.....	N471
	MODELO EH-2.....	N472
	MODELO EH-4 (solo SPO10).....	N474
4.	Soldadura del Yugo del Carruaje.....	N822
5.	Pasador del Brazo .....	N2154
6.	1/4"-20NC x 3/4" largo HHCS.....	40099
7.	Cilindro Hidráulico	
	Elevación de 68" .....	N3156
	Elevación de 71" .....	N382
8.	Unidad de energía	
	1Ø 60Hz .....	**P1302/P3302
	1Ø 50Hz .....	**P1389/P3389
	3Ø.....	**P1347/P3347
	3Ø 575V .....	**P1359/P3359
	3Ø 380V (Modelo S).....	**P1510/P3510
9.	Manguera de la unidad de alimentación.....	FJ837
10.	HHCS de fijación de 5/16"-18NC x 1-1/2" (rosca completa).....	40509
11.	NA.....	NA
12.	Contratuerca de fijación hexagonal de 5/16"-18NC .....	40678
13.	Manija del Perno del Impulsor .....	FJ7985-1
14.	Pasador del Impulsor .....	N121-1
15.	Pasador de retención.....	N119-3
16.	Resorte del Brazo de Retención.....	FJ7656-2
17.	Tornillo del Purgador (Especificar Fabricante)....	N/A
18.	Tope del Carro .....	FA941
19.	Trinquete de Restricción del Brazo .....	N2121
20.	Tope de acercamiento .....	FJ7391-1
21.	Contratuerca de Inserción de Nylon 11 NC de 5/8" .....	40743
22.	Truarc Klipring #5304-75 para Eje 3/4" .....	41411
23.	Polea .....	N377
24.	1/4"-20NC Tuerca Hexagonal de Zinc .....	40627
25.	Cubierta de la polea .....	N119-1
26.	1/4"-20NC x 3/8" largo Enchapado PHMS (2 piezas).....	40063
27.	Tope de las Correderas.....	FJ7360
28.	Anclaje de concreto de 3/4" .....	FJ7380
29.	Buje de 1-1/2" O.D. x .760-.770" I.D. x .045" .....	41388
30.	1/4"-20NC x 2-3/4" HHCS.....	40114
31.	Contratuerca de inserción 1/4"-20NC .....	40642
32.	1/8" x 1" Largo Clavija pasante (3Ø solamente) ...	41200
33.	Ensamble de la Barra del Interruptor	
	1Ø SPOA10NB .....	N415
	1Ø SPOA10/SP010 / 3Ø con botón .....	N467
	3Ø.....	N434
34.	Equipo de Localización de la Base de la Rueda ..	FF729
35.	Arandela plana de 1/4" .....	40795
36.	3/8"-16 NC x 3/4" HHCS Largo de Fijación .....	40124
*37.	Equipo de Brazo de Restricción (1 brazo).....	*N2148
38.	Manguera Superior	
	Estándar .....	N3103
	MODELO EH-1.....	FJ842
	MODELO EH-2.....	FJ843
	MODELO EH-4 (solo SPO10).....	FJ845

39.	Cables de Ecuilización	
	SPOA10NB .....	N384
	MODELO SPOA10NB EH-1 .....	N385
	MODELO SPOA10NB EH-2 .....	N386
	SPOA10.....	N372
	MODELO SPOA10 EH-1 .....	N378
	MODELO SPOA10 EH-2 .....	N373
	SPO10.....	N374
	MODELO SPO10 EH-1 .....	N379
	MODELO SPO10 EH-2.....	N375
	MODELO SPO10 EH-4.....	N376
40.	Caja del Capacitor .....	FA7147-1
	Placa de Cubierta de la Caja del CAPACITOR.....	FA7366-1
	Interruptor de tambor.....	FA7364
	Palanca del interruptor de tambor.....	FA7364-1
	M5 x 45 PHMS, cromado .....	41672
41.	Cable de Cierre Macho.....	FJ7600
42.	Guía de Cable .....	N618
43.	Contratuerca de fijación 3/8"-16NC.....	40664
44.	Eje de la polea .....	FJ7444-8
45.	Ensamble del Impulsor (3Ø) .....	N432-5
46.	Soporte del Extremo del Cable .....	N619
47.	Sujetador de Manguera.....	N383
48.	Izquierda Ensamble superior (externo).....	N480
49.	Derecha Ensamble superior (interno).....	N481
50.	Bifurcación T .....	FJ7668
51.	Soporte de Montaje de la Columna .....	N439
52.	3/8"-16NC x 4" Pernos del Carro .....	N/A
53.	Contratuerca de fijación 1/4"-20NC.....	40641
54.	Separador de 3/4" .....	FJ7871
55.	Ensamble del interruptor de corte	
	1Ø / 3Ø con botón.....	N413
	3Ø.....	N432
	Controles a pruebas de explosiones.....	N4118
	Interruptor de corte	
	1Ø / 3Ø con botón.....	N413-1
	3Ø.....	N432-1
	Controles a pruebas de explosiones.....	N4118-2
56.	Arandela dentada externa de 1/4" .....	40779
57.	1/4"-20NC x 1" HHCS Grado 5.....	40108
58.	Perno de Resorte-1/4" diá. x 1-1/2" Lg. (Acero inoxidable) .....	14427
59.	Separador .....	FJ716-6
60.	Separador delantero .....	FJ7659-3

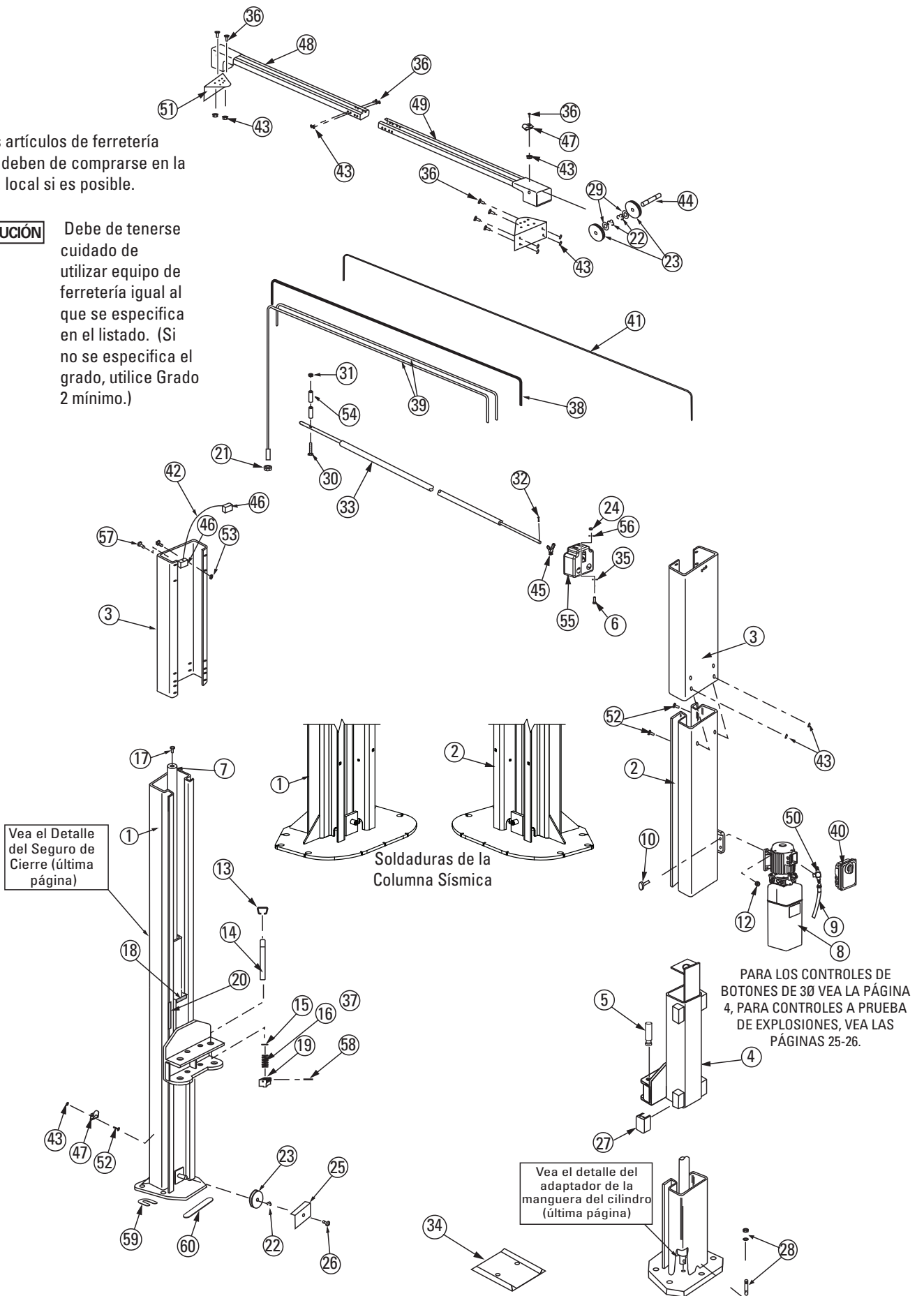
\*Kit de restricción del brazo Kit (1 brazo) Incluye artículos 13, 14, 15, 16, 19 y 58. Incluye también engranajes de restricción y tornillos de sujeción (artículos 21, 22 y 23) de la sección de detalle del brazo.

\*\*Dos diferentes unidades de energía se utilizaron. Por favor verifique su número de modelo antes de pedir las piezas.

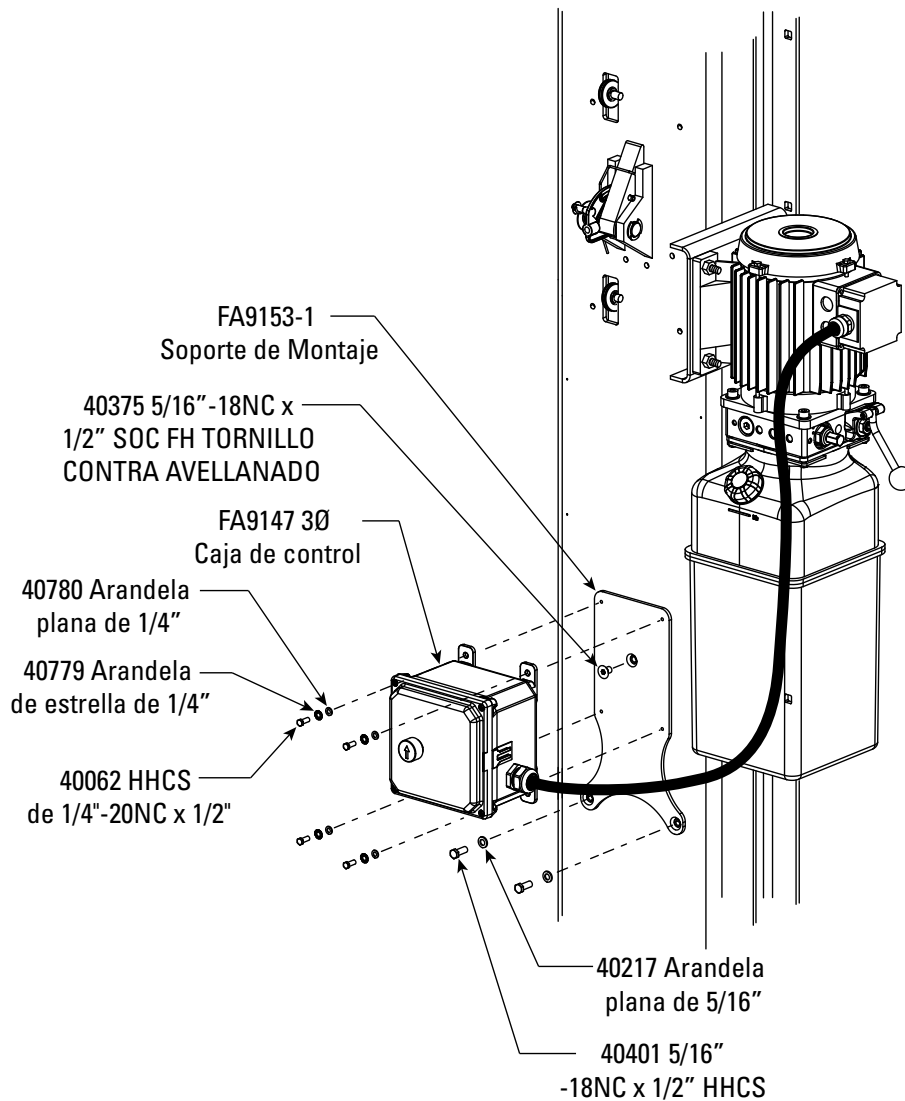
Nota: Los artículos de ferretería estándar deben de comprarse en la ferretería local si es posible.

**PRECAUCIÓN**

Debe de tenerse cuidado de utilizar equipo de ferretería igual al que se especifica en el listado. (Si no se especifica el grado, utilice Grado 2 mínimo.)



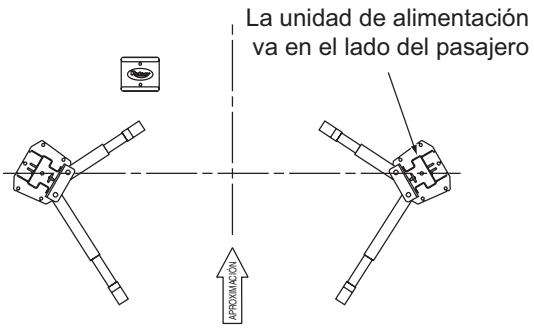
## UNIDAD DE ENERGÍA DE 3Ø



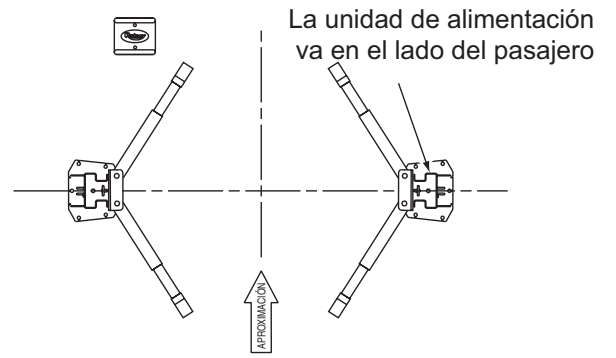
<b>FA9147 Incluye artículos:</b>	
<b>FA9147-1</b>	<b>3Ø Gabinete de la caja de control con junta</b>
<b>FA9147-2</b>	<b>Contactador de 25 AMP, 3 polos con bobina de 480 voltios GE CR553AB3CAA</b>
<b>FA9147-6</b>	<b>Bobina del contactor Coil DB1AB 208-240 voltios para el contactor GE CR553A</b>
<b>FA9147-8</b>	<b>Botón de interruptor temporal con bloque de contacto</b>
<b>FA9147-9</b>	<b>Cable de 600 voltios 4 alambres de 42" de largo con terminales de anillo</b>

<b>FA9147-12</b>	<b>Bobina de 550-600 voltios Clavija GE PB1AD para elevadores de 575 voltios solamente</b>
------------------	--





SPOA10 Vista de plano



SPOA10 Vista de plano

**\*Notas: ¿Serie 5TX, 5GX o 5BX?**

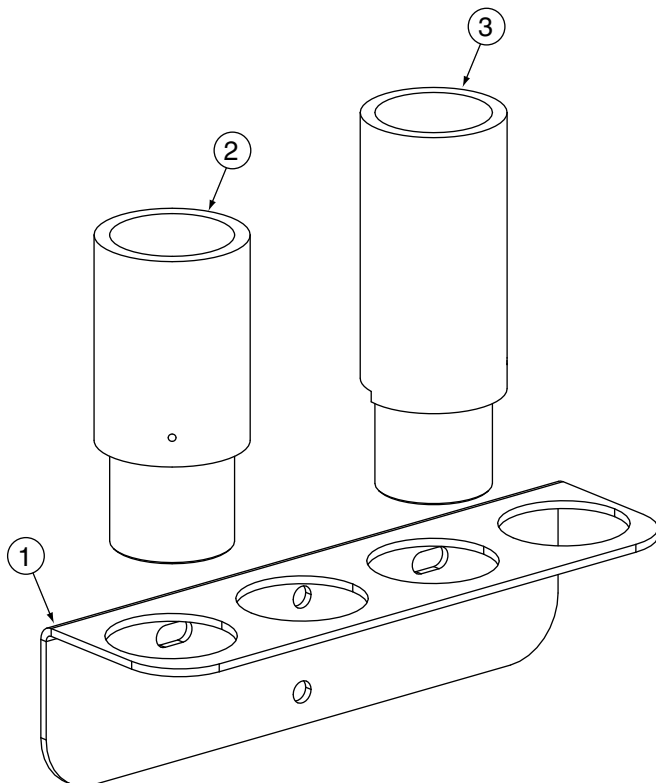
Para determinar si tiene brazos de la serie 5TX, 5GX o 5BX examine los **últimos (3) números en el final** de su número de modelo de elevador.

EJEMPLO: SPOA10N**5G5** es el modelo de la **Serie 5GX**.



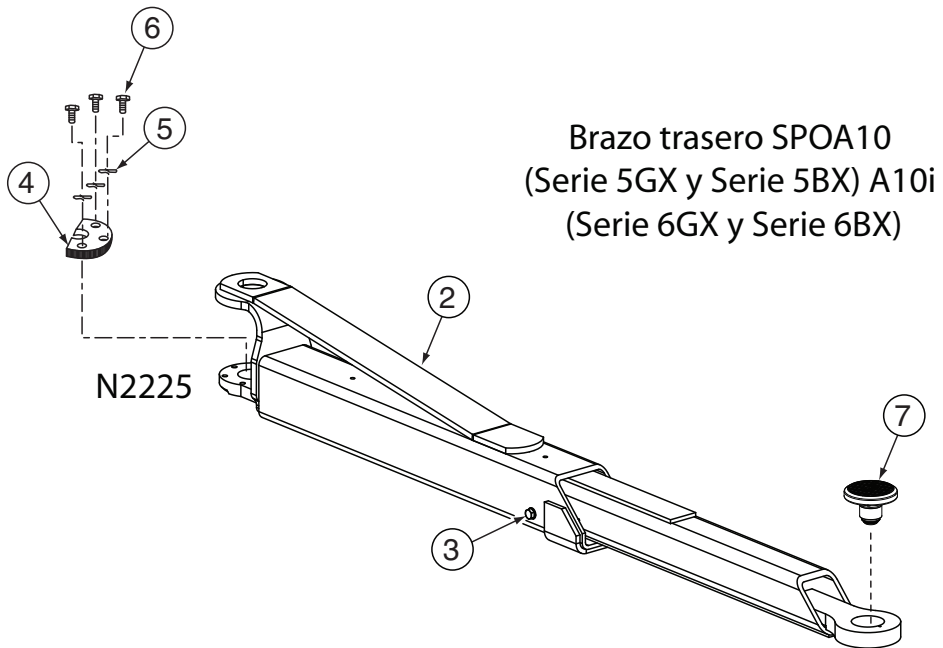
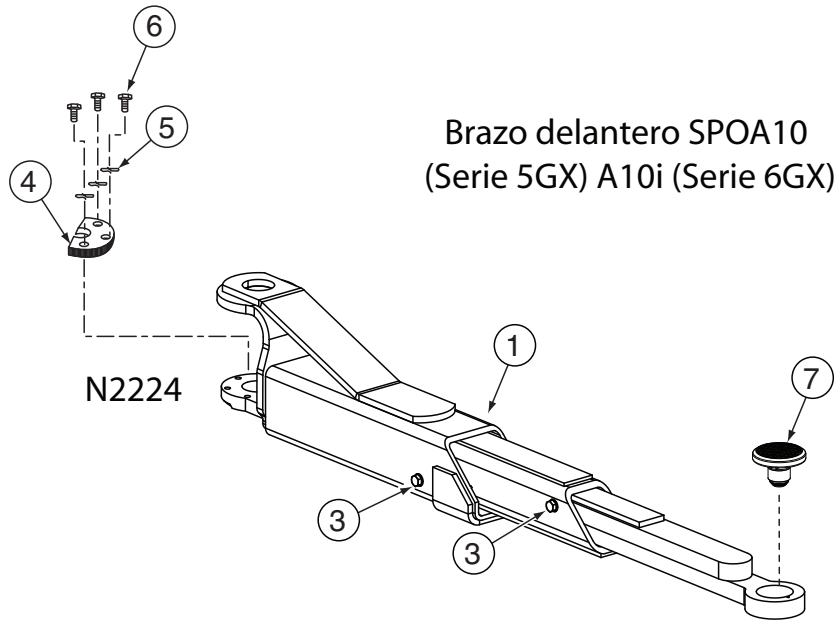
El número de modelo se encuentra en la etiqueta en el lado del elevador.

La "X" es un número variable utilizado para ocupar el lugar del último número real en la etiqueta del número de modelo de su elevador.



1.	Estante del Adaptador	FJ6127
2.	Extensión del Adaptador de 3-1/2" (90mm)	FJ6171-1
3.	Extensión del Adaptador de 5-1/4" (130mm)	FJ6171-2

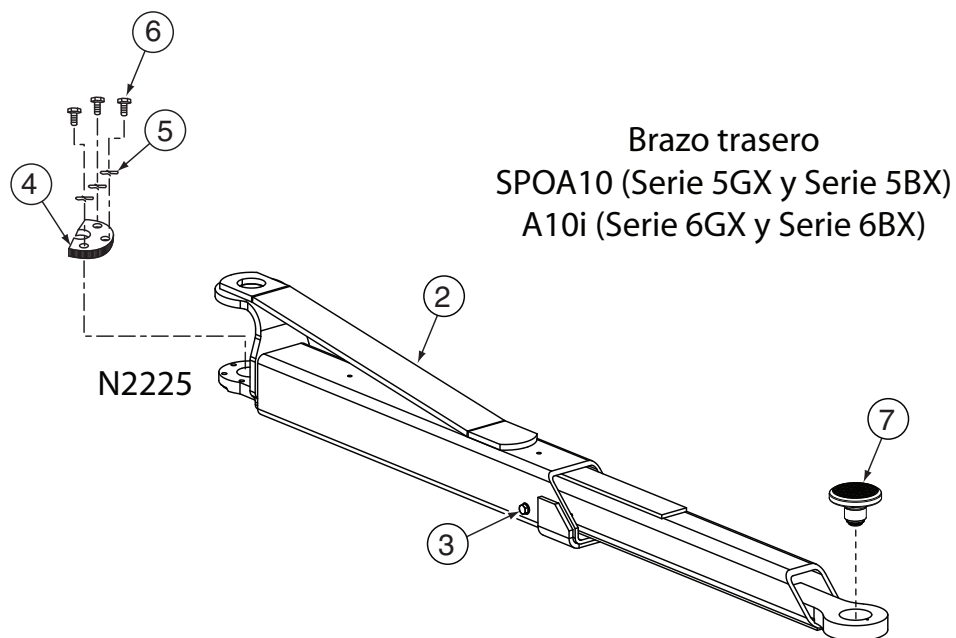
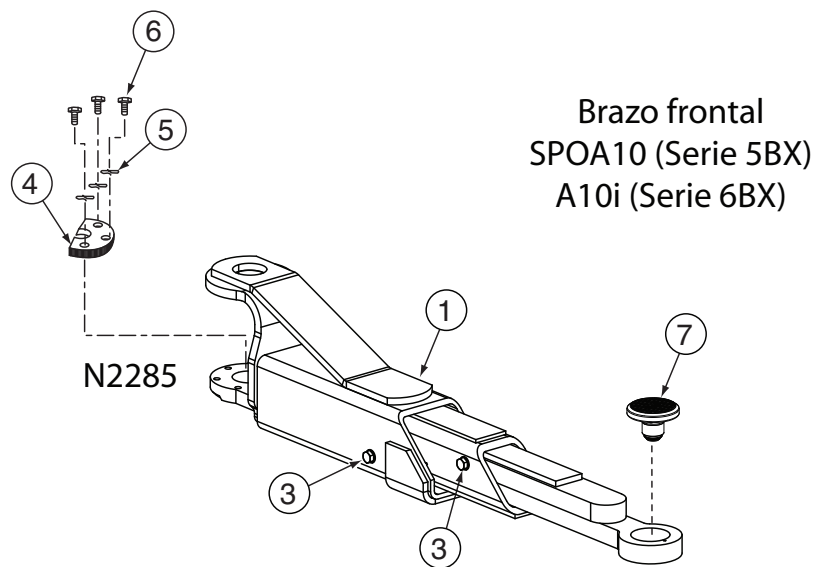
# Detalle del brazo



1.	Brazo frontal	
	SPOA10 (Serie 5GX)	*N2224
2.	Brazo trasero	
	SPOA10 (Serie 5GX) y (Serie 5BX)	*N2225
3.	Ensamble del tope	N219
4.	Engranaje de los brazos de retención	N2122

5.	Arandelas de resorte de 3/8" (para elevadores con barra de rodamientos cónicos)	40818
6.	3/8"-16NC x 1-1/2" HHCS Grado 5	40201
7.	Ensamble del adaptador de bajo perfil	FJ6202
	Plataforma de Goma	FJ6202-3

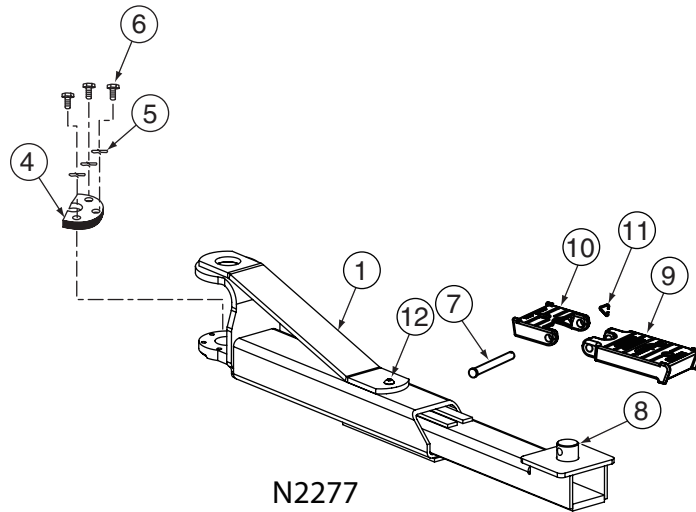
# Detalle del brazo



1.	Brazo frontal	
	SPOA10 (Serie 5BX)	*N2285
2.	Brazo trasero	
	SPOA10 (Serie 5GX) y (Serie 5BX)	*N2225
3.	Ensamble del tope	N219
4.	Engranaje de los brazos de retención	N2122

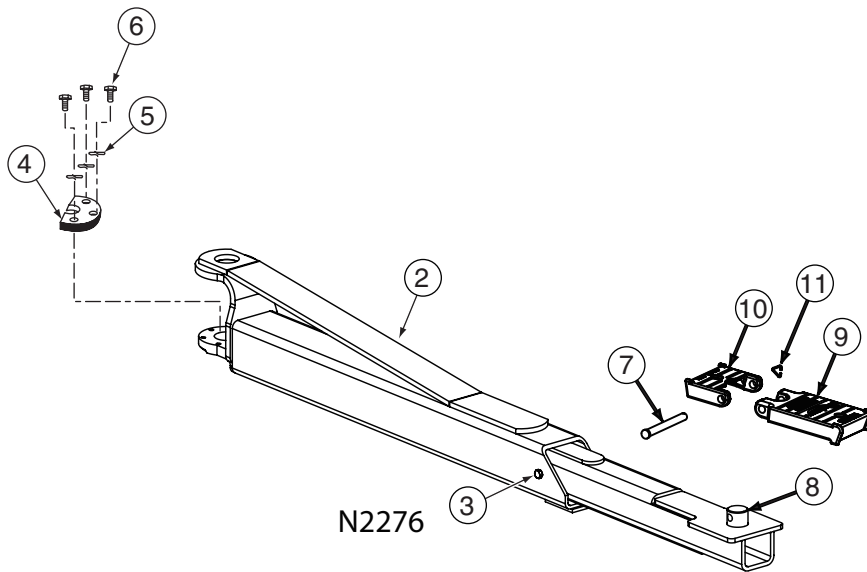
5.	Arandelas de resorte de 3/8" (para elevadores con barra de rodamientos cónicos)	40818
6.	3/8"-16NC x 1-1/2" HHCS Grado 5	40201
7.	Ensamble del adaptador de bajo perfil	FJ6202
	Plataforma de Goma	FJ6202-3

# Detalle del brazo



N2277

Brazo frontal  
SPOA10 (Serie 70X)  
A10i (Serie 70X)



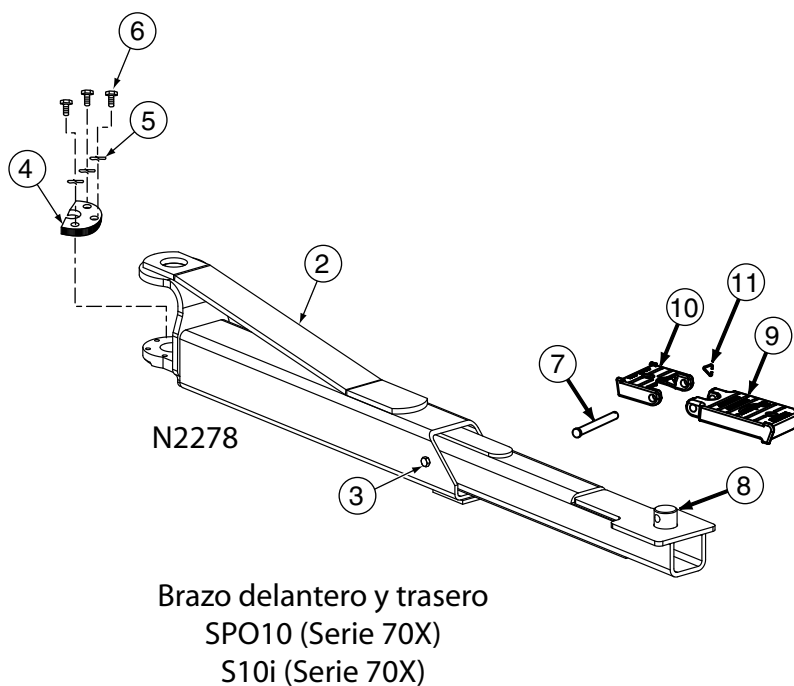
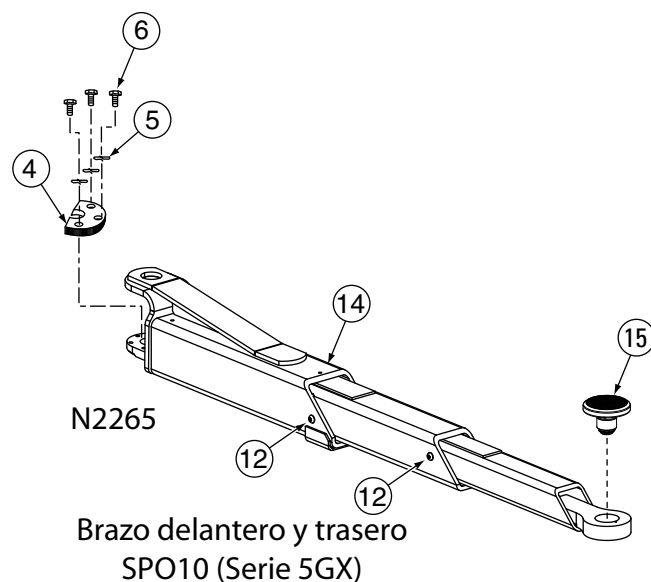
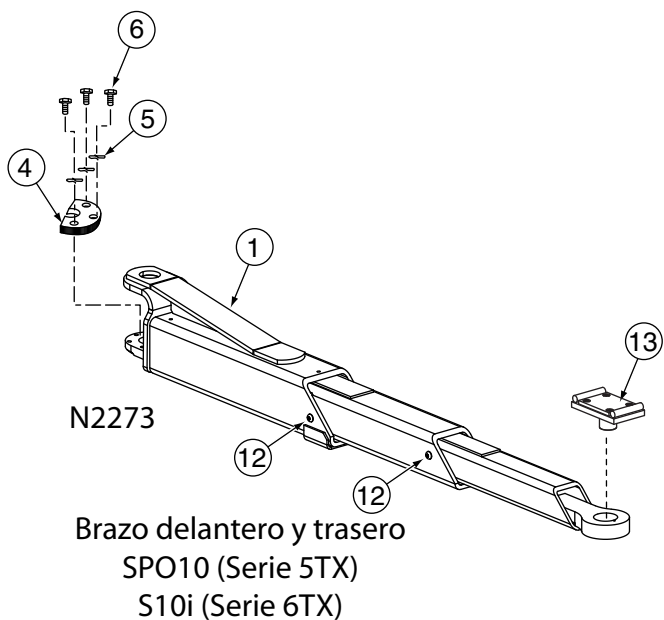
N2276

Brazo frontal  
SPOA10 (Serie 70X)  
A10i (Serie 70X)

1.	Brazo frontal SPOA10 (Serie 70X)	*N2277
2.	Brazo trasero SPOA10 (Serie 70X)	*N2276
3.	Tope 3/8"-16NC x 1/2" Lg. HHCS	40126
4.	Engranaje de los brazos de retención	N2122
5.	Arandelas de resorte de 3/8" (para elevadores con barra de rodamientos cónicos)	40818

6.	3/8"-16NC x 1-1/2" HHCS Grado 5	40201
7.	Perno del Adaptador	FJ6179
8.	Perno para Adaptador Giratorio	FJ79-6
9.	Adaptador de Paso Alto	FJ6177
10.	Adaptador de Paso Bajo	FJ6178
11.	Anillo de Retención de 3/32" Para Eje de 1/2" (se necesitan 8)	FJ671-6
12.	Tope delantero (M10 x 1,5 x 20mm BHCS)	41650

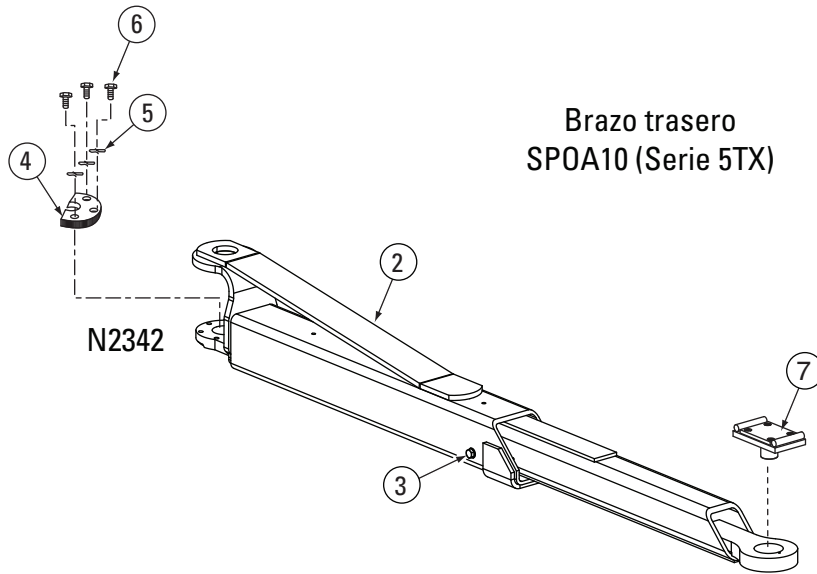
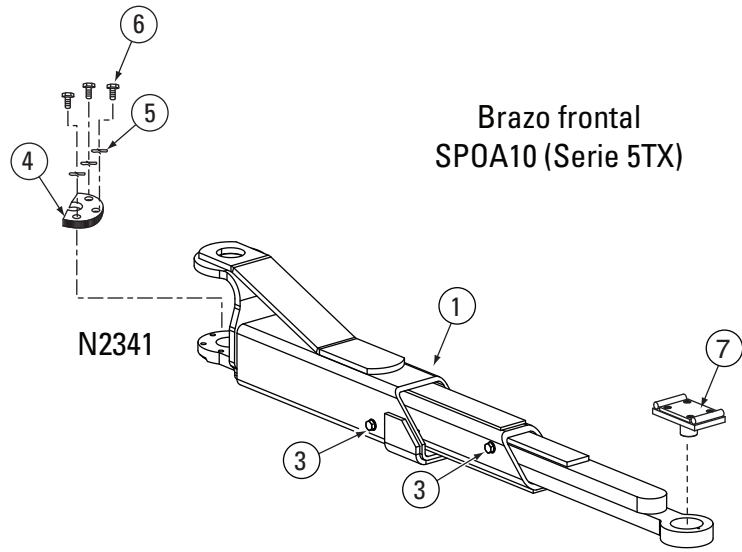
# Detalle del brazo



1.	Brazo delantero y trasero SPO10 (Serie 5TX)	*N2273
2.	Brazo trasero SPO10 (Serie 70X)	*N2278
3.	Tope 3/8"-16NC x 1/2" Lg. HHCS	40126
4.	Engranaje de los brazos de retención	N2122
5.	Arandelas de resorte de 3/8" (para elevadores con barra de rodamientos cónicos)	40818
6.	3/8"-16NC x 1-1/2" HHCS Grado 5	40201
7.	Perno del Adaptador	FJ6179
8.	Perno para Adaptador Giratorio	FJ79-6
9.	Adaptador de Paso Alto	FJ6177
10.	Adaptador de Paso Bajo	FJ6178

11.	Anillo de Retención de 3/32" Para Eje de 1/2" (se necesitan 8)	FJ671-6
12.	Tope delantero (M10 x 1,5 x 20mm BHCS)	N2264-15
13.	Ensamble del adaptador (SPO10) para brazos de 3 etapas Plataforma de Goma	FJ6214 FJ6158-4
14.	Brazo delantero y trasero SPO10 (Serie 5GX)	*N2265
15.	Ensamble del adaptador de bajo perfil Plataforma de Goma	FJ6202 FJ6202-3

# Detalle del brazo



1.	Brazo frontal SPOA10 (Serie 5TX)	*N2341
2.	Brazo trasero SPOA10 (Serie 5TX)	*N2342
3.	Ensamble del tope	N219
4.	Engranaje de los brazos de retención	N2122

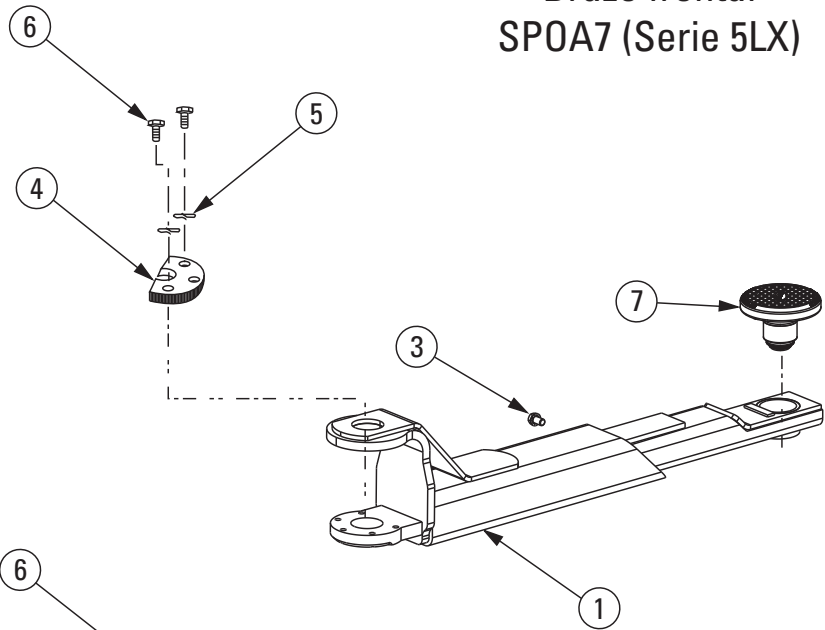
5.	Arandelas de resorte de 3/8" (para elevadores con barra de rodamientos cónicos)	40818
6.	3/8"-16NC x 1-1/2" HHCS Grado 5	40201
7.	Ensamble del adaptador para brazos de 3 etapas	FJ6214
	Plataforma de Goma	FJ6158-4

# Detalle del brazo SPOA7 para brazo de bajo perfil

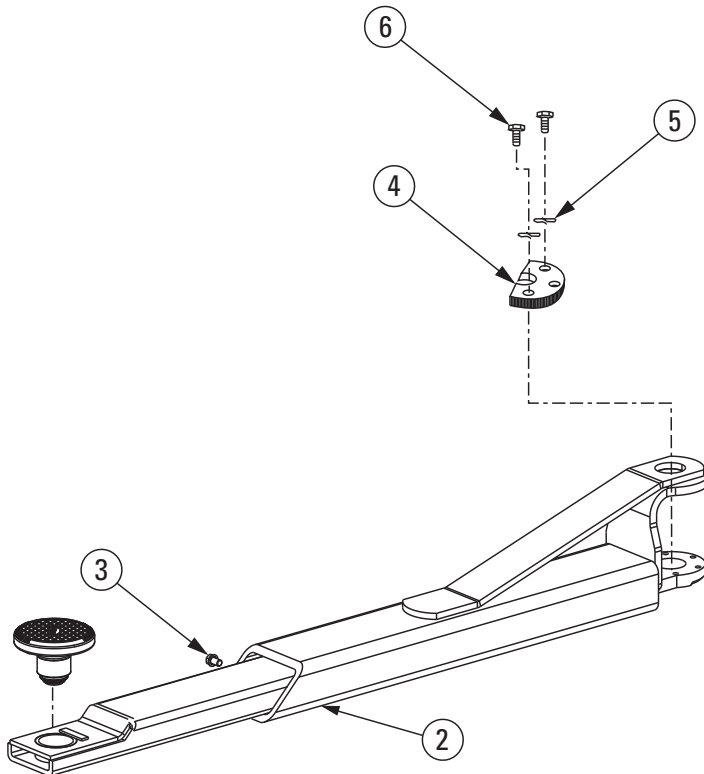
1.	Brazo frontal SPOA10 (Serie 5TX)	*N2295
2.	Brazo trasero SPOA10 (Serie 5TX)	*N2294
3.	Ensamble del tope	N219
4.	Engranaje de los brazos de retención	N2122

5.	Arandelas de resorte de 3/8" (para elevadores con barra de rodamientos cónicos)	40818
6.	3/8"-16NC x 1-1/2" HHCS Grado 5	40201
7.	Ensamble del adaptador para brazos de 3 etapas	FJ6202
	Plataforma de Goma	FJ6202-3

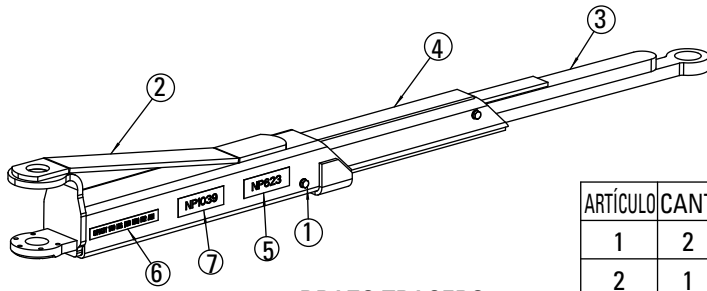
Brazo frontal  
SPOA7 (Serie 5LX)



Brazo trasero  
SPOA7 (Serie 5LX)

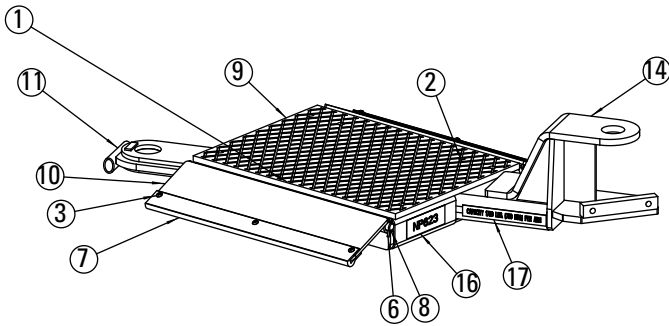


# Detalle del brazo SPOA7 híbrido

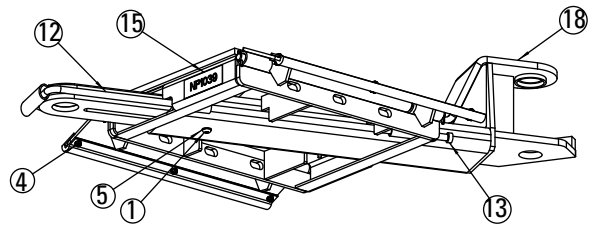


**BRAZO TRASERO**

ARTÍCULO	CANT.	PIEZA NO.	DESCRIPCIÓN
1	2	N219	ENSAMBLE DEL TOPE
2	1	N2336-1	SOLDADURA DEL BRAZO EXTERNO DE 3 ETAPAS 7K
3	1	N2336-2	SOLDADURA DEL BRAZO INTERNO DE 3 ETAPAS 7K
4	1	N2336-3	SOLDADURA DEL BRAZO MEDIO DE 3 ETAPAS 7K
5	2	NP623	SIEMPRE USE LA PLACA DE IDENTIFICACIÓN DEL ADAPTADOR
6	2	NP874	PLACA DE IDENTIFICACIÓN DE CAPACIDAD
7	2	NP1039	USE LA PLACA DE IDENTIFICACIÓN DEL ADAPTADOR PARA CAMIÓN



**PLATAFORMA IZQUIERDA**



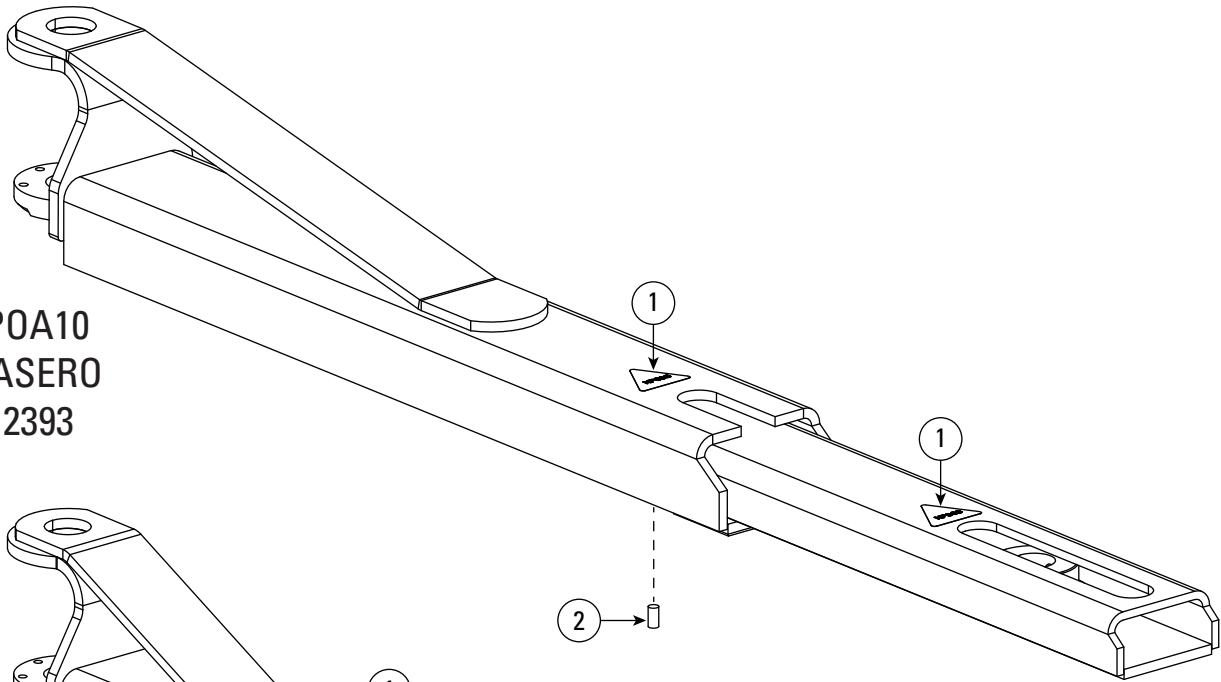
**PLATAFORMA DERECHA**

ARTÍCULO	CANT.	PIEZA NO.	DESCRIPCIÓN
1	1	40157	BHCS DE CABEZA HUECA DE 3/8"-16NC x 3/4" de largo GRD2
2	4	40174	REMACHE CIEGO 1/4 x 0,475 McMASTER-CARR #97517A651 o EQUIVALENTE
3	6	40192	#10-24NC x 3/4" Largo TORNILLO PHILLIPS DE CABEZA CÓNICA, CROMADO
4	6	40633	TUERCAS DE SEGURIDAD HEXAGONALES BRIDADAS DE #10-24NC
5	1	40843	LW DIENTES INT 3/8", CROMADO
6	4	41202	CLAVIJA CON CHAVETA LARGA 5/32" x 1"
7	2	FC134-33	DESLIZAMIENTO DE CUÑA DE RAMPA
8	2	FC5179-5	CLAVIJA
9	1	FJ2494	PLATAFORMA DELANTERA PLATAFORMA DE GOMA
10	2	N2249	SOLDADURA DE PLATAFORMA DE LA RAMPA DEL ELEVADOR 2 POSTES
11	1	N2338-6	SOLDADURA DEL BRAZO INTERNO DE PLATAFORMA DELANTERA
12	1	N2338-13	BARRA ACCIONADORA DEL BRAZO INTERNO DE PLATAFORMA DELANTERA
13	1	N2338-16	TORNILLO MINIATURA DE LA VARILLA DEL ACTUADOR DEL BRAZO INTERNO
14	1	N2339-1	SOLDADURA DE LA PLATAFORMA DELANTERA IZQUIERDA
15	1	NP1039	PLACA DE IDENTIFICACIÓN DEL ADAPTADOR PARA CAMIÓN
16	1	NP623	PLANCA DE IDENTIFICACIÓN DEL ADAPTADOR DE LA PLATAFORMA DE GOMA
17	1	NP874	PLACA DE IDENTIFICACIÓN DE CAPACIDAD DE 1750 LBS.
18	1	N2338	SOLDADURA DE LA PLATAFORMA DELANTERA DERECHA

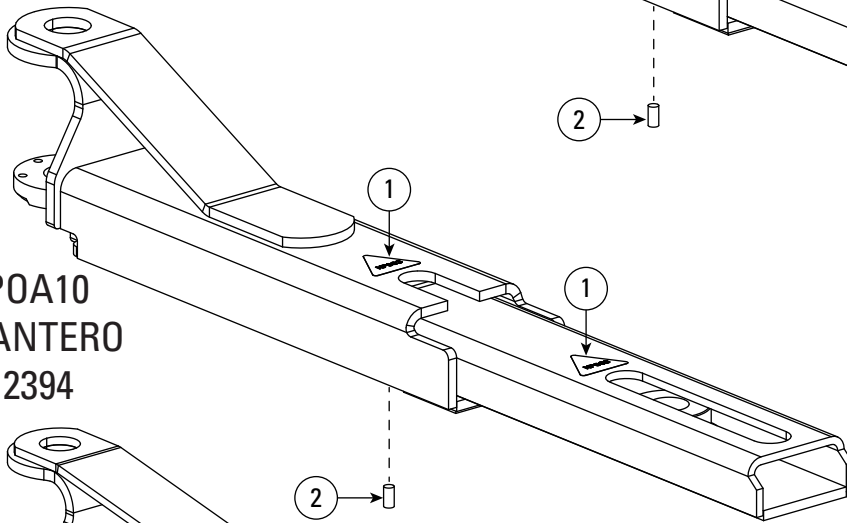


# Detalle de brazos de la Serie 800

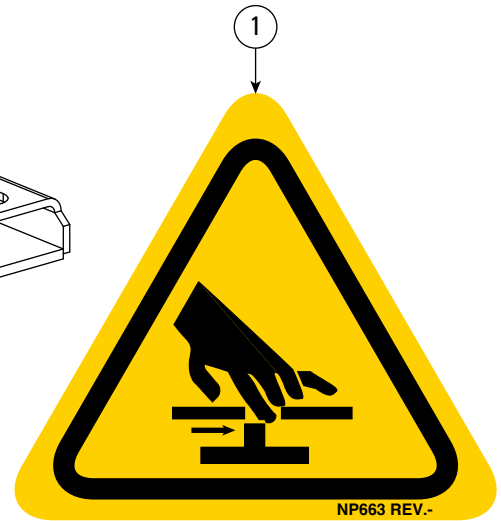
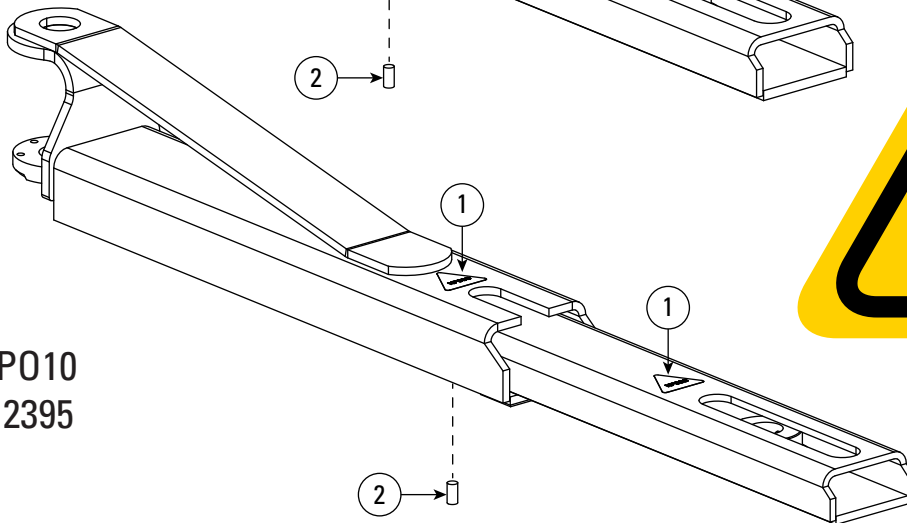
SPOA10  
TRASERO  
N2393



SPOA10  
DELANTERO  
N2394

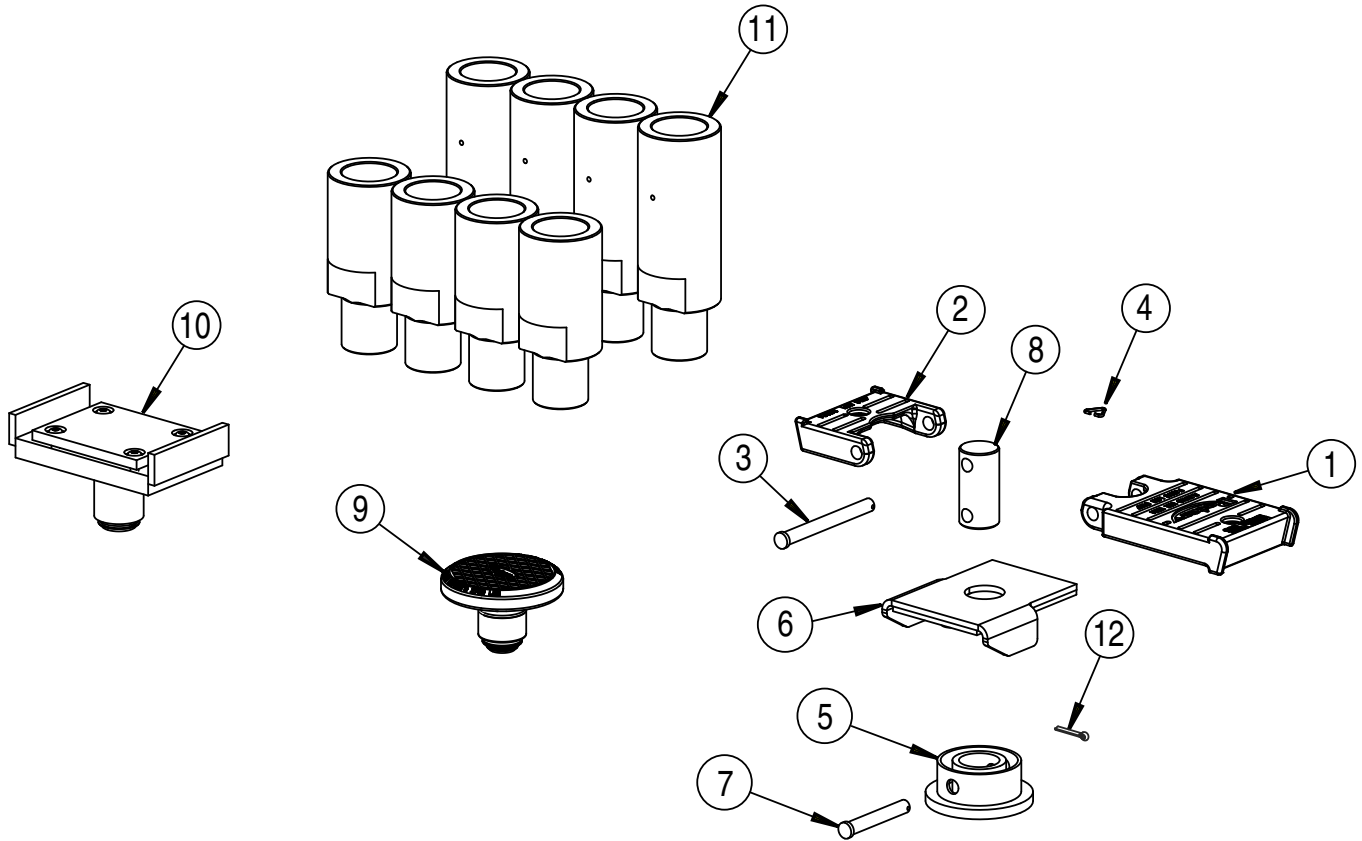


SP010  
N2395



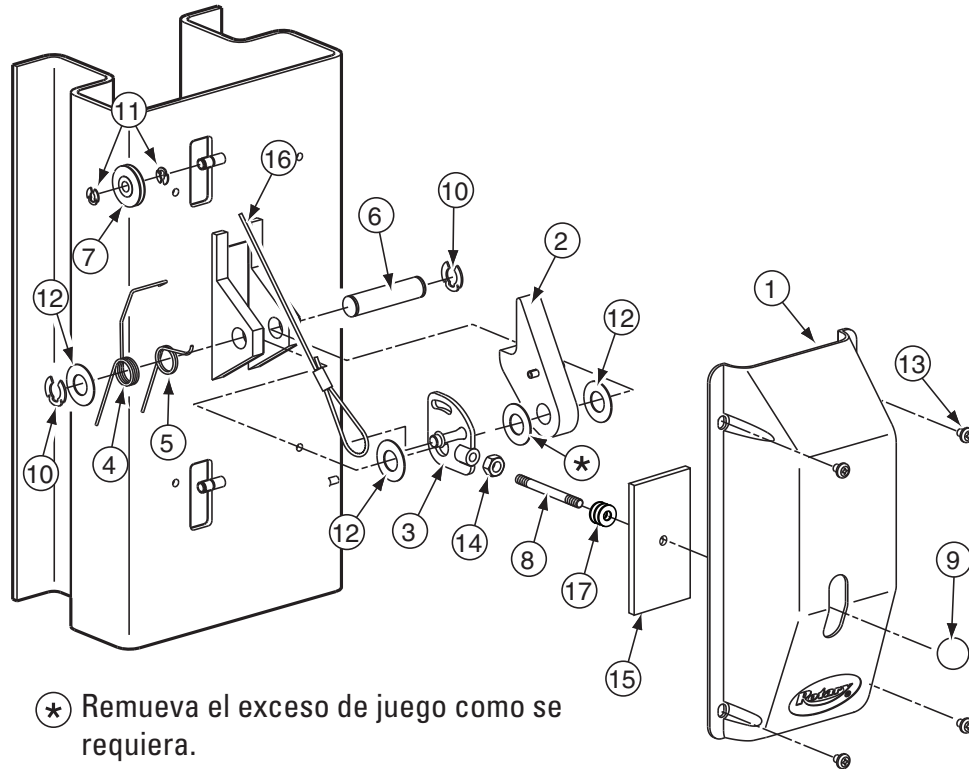
1.	Etiqueta De Punto De Pellizco	NP663
2.	3/8-16 x 3/4" Tornillo De Ajuste**	40319
	1/2-13 x 3/4" Tornillo De Ajuste**	41746
**El número de pieza del tornillo de fijación depende de la versión específica		

# Detalle opcional de la Serie 800



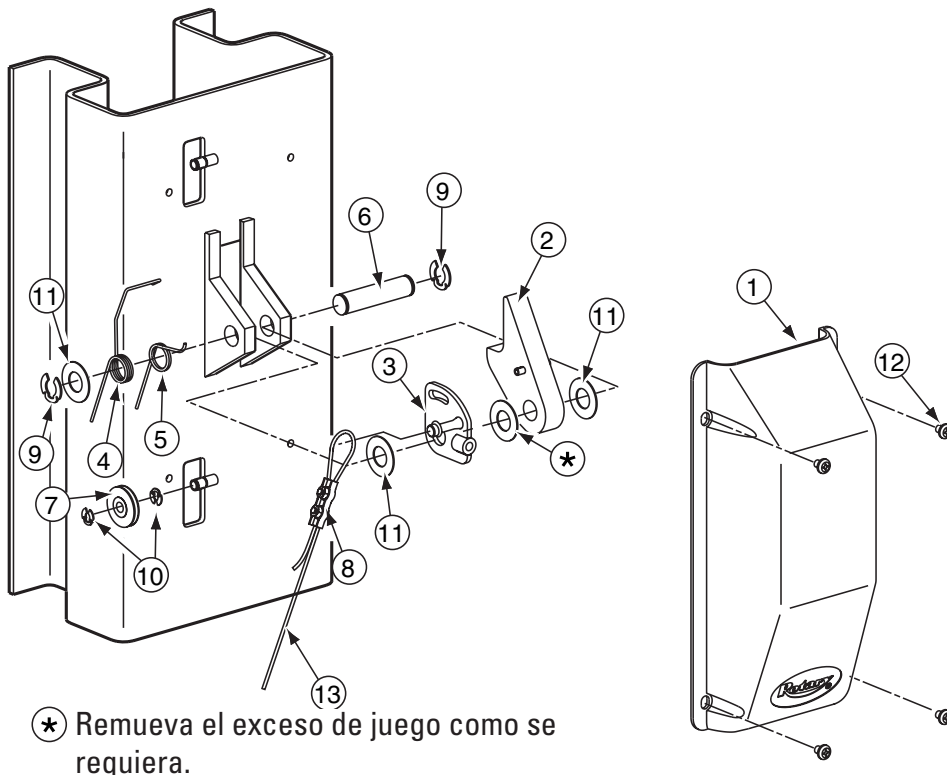
ARTÍCULO	DESCRIPCIÓN	PARTE
1	Adaptador de Paso Alto	FJ6177
2	Adaptador de Paso Bajo	FJ6178
3	Perno del Adaptador	FJ6179
4	Anillo de retención de 3/32" para eje de 1/2"	FJ671-6
5	Inserto del adaptador	T120309
6	Soldadura de la placa de carga	FJ6233
7	Perno de inserto del adaptador	T130669
8	Perno giratorio	T130668
9	Adaptador RA redondo de bajo perfil	FJ6219
10	Adaptador de camiones	T110564
11	Equipo de Adaptador de Extensión (Vendido por Separado)	T100271
12	Pasador de bifurcación 7/64" x 3/4"	41205

## Detalle del Seguro de Cierre (Columna Derecha)



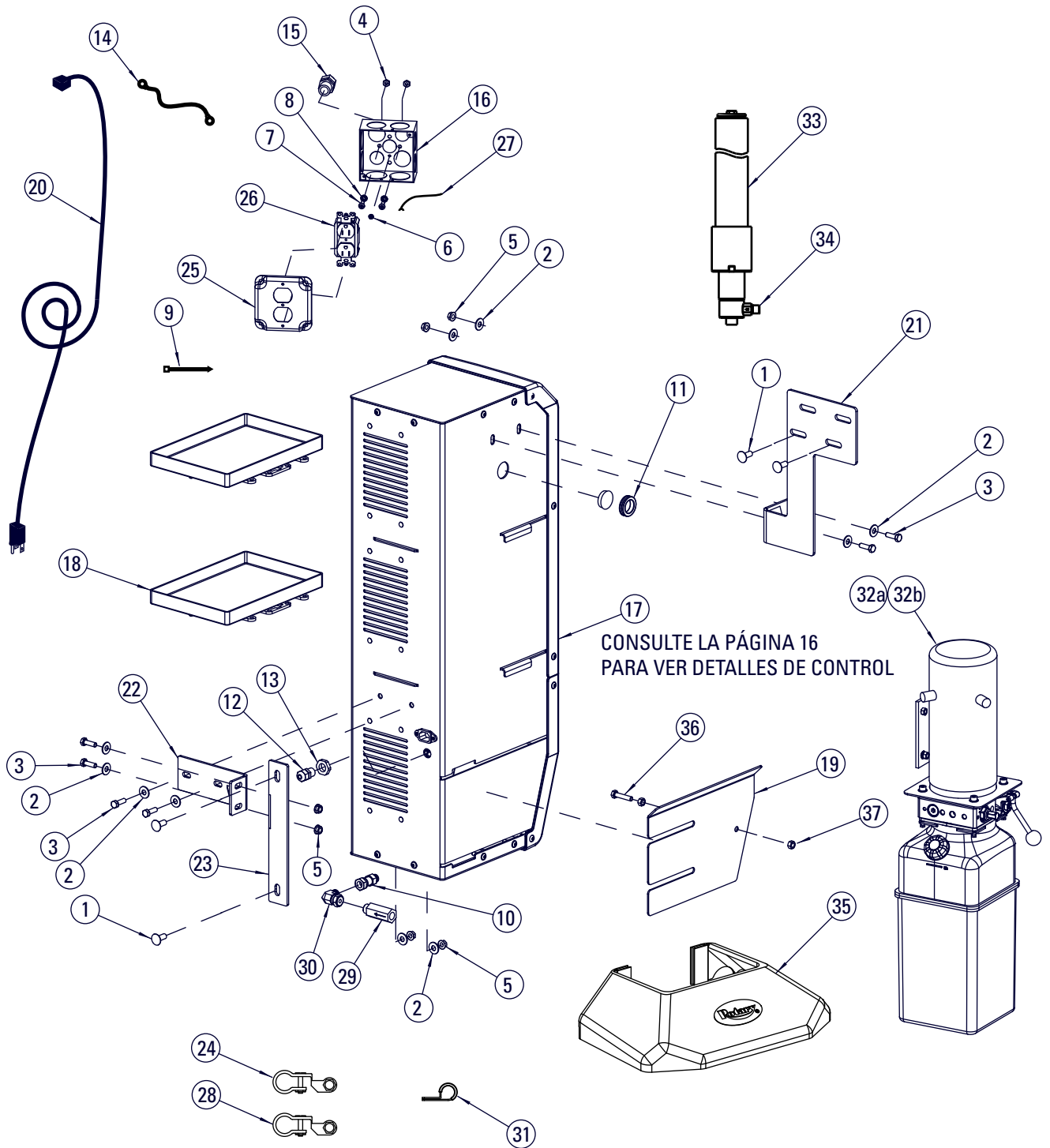
ELEMENTO	DESCRIPCIÓN	N.º DE PIEZA
1.	Cubierta del Control Lateral .....	FJ7452
2.	Seguro de Cierre Macho .....	N616
3.	Placa de Control .....	FJ7594-2
4.	Resorte .....	FJ7566-10
5.	Resorte .....	FJ7382-9
6.	Eje del seguro .....	FJ7382-34
7.	Polea de Cierre Macho .....	FJ7322
8.	Mango .....	FJ7382-18
9.	Mango de bola .....	FC134-91
10.	Truarc Klipring #5304-75 para Eje 3/4" .....	41411
11.	Truarc Klipring #5304-37 para Eje 3/8" .....	41410
12.	1-1/2" O.D. x 3/4" I.D. x .045" Cojinete de Maquinaria .....	41388
13.	5/16-18NC x 3/8" largo PHMS .....	40227
14.	3/8" - 16NC Tuerca Hexagonal de Seguridad .....	40658
15.	Cubierta de la Ranura .....	N617
16.	Cable de Cierre Macho .....	FJ7600
17.	Arandela plana de 3/8" .....	40820

# Detalle del Seguro de Cierre (Columna Izquierda)



ELEMENTO	DESCRIPCIÓN	N.º DE PIEZA
1.	Cubierta del seguro .....	FJ7451
2.	Seguro de Cierre Macho .....	N616
3.	Placa de Control .....	FJ7594-2
4.	Resorte .....	FJ7566-10
5.	Resorte .....	FJ7382-9
6.	Eje del seguro .....	FJ7382-34
7.	Polea de Cierre Macho .....	FJ7322
8.	Abrazadera del Cable de Seguridad.....	N63-1
9.	Truarc Klipring #5304-75 para Eje 3/4" .....	41411
10.	Truarc Klipring #5304-37 para Eje 3/8" .....	41410
11.	1-1/2" O.D. x 3/4" I.D. x .045" Cojinete de Maquinaria..	41388
12.	5/16-18NC x 3/8" largo PHMS.....	40227
13.	Cable de Cierre Macho.....	FJ7600

# Detalle de Shockwave

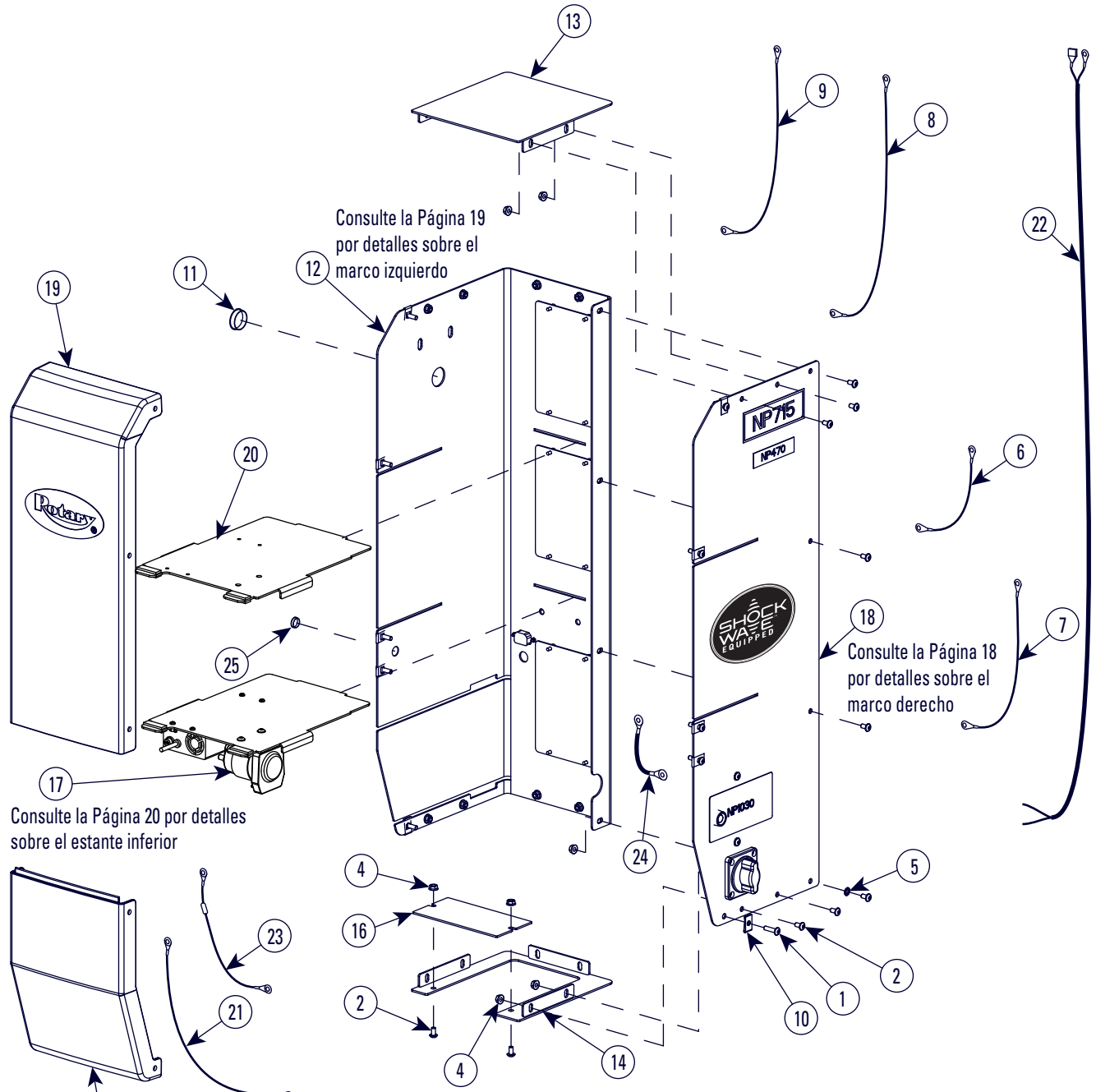


## MONTAJE DE CONTROL CC

## Detalle de Shockwave

ARTÍCULO	PIEZA NO.	DESCRIPCIÓN
1	40167	3/8"-16NC x 1" Largo PERNO DE FIJACIÓN, Gr. 5, ENCHAPADO
2	40217	ARANDELA PLANA 5/16" USS, PLTD
3	40221	TORNILLO DE CABEZA HEXAGONAL DE 5/16"-16NC x 1" DE LARGO, GRD5 CROMADO
4	40650	TUERCA N.º12-24NC CABEZA HEXAGONAL, CROMADA
5	40678	TUERCAS DE SEGURIDAD HEXAGONALES BRIDADAS DE 5/16"-18NC
6	FA997-1	TORNILLOS WHSFT HEXAGONALES N.º 10-32 x 1/4" DE LARGO, COLOR VERDE
7	41526	#12-24NC x 3/4" Largo PHMS PHIL., CROMADO
8	41527	DIENTE DE EXTENSIÓN N.º12, LW, CROMADOS
9	629888	CONECTOR DE CABLE TY-RAP, NYLON, NEGRO, 11 1
10	EFX60010319	ADAPTADOR, ROSCADO RECTO/GIRATORIO (ORB/ORFS 6X6)
11	FA7180-31	AISLANTE PARA CABLE
12	FA7189-14	ALIVIADOR DE TENSIÓN 3/8" NPT
13	FA7189-15	TUERCA DE SEGURIDAD NPT DE 3/8"
14	FA7616	CABLE DE BATERÍA - BATERÍA
15	FA7958-28	ASEGURADOR DE CABLE
16	FA997	CAJA DE CONEXIÓN
17	FA966	CONJUNTO DE CONTROL CC
18	FA966-16	BANDEJA DE LA BATERÍA
19	FA966-47	GABINETE DE BATERÍA CON PROTECTOR DE 2 POSTES
20	FA966-51	CABLE DE POTENCIA UNIVERSAL DE 10 PIES (NEMA 5-15P A IEC320C13)
21	FA966-55	SOLDADURA DE SOPORTE DE MONTAJE SUPERIOR DE GABINETE DE BATERÍA
22	FA966-56	SOLDADURA DE SOPORTE DE MONTAJE DE GABINETE DE BATERÍA
23	FA966-57	SOLDADURA DE SOPORTE DE COLUMNA DE MONTAJE DE GABINETE DE BATERÍA
24	FA979	EXTREMO DE TERMINAL DE BATERÍA POSITIVO
25	FA980-1	CAJA CUADRADA DE 4" DE CUBIERTA DE RECEPTÁCULO DÚPLEX
26	FA980-2	RECEPTÁCULO HEMBRA DÚPLEX
27	FA980-3	CABLE A TIERRA
28	FA981	EXTREMO DE TERMINAL DE BATERÍA NEGATIVO
29	FJ71003	REGULADOR DE FLUJO
30	FJ71007	CODO GIRATORIO ORFS MACHO X ORFS HEMBRA
31	FJ7669	ABRAZADERA DE MANGUERA DE COLUMNA
32a.	P3577	UNIDAD DE POTENCIA CC - ELEVADOR DE ALMOHADILLA
32b	P3579	UNIDAD DE POTENCIA CC - BRAZO DEL ELEVADOR
32c	P3586	UNIDAD DE POTENCIA CC - SPO12
33	N3151Y	CILINDRO HIDRÁULICO
34	FJ7352-3	ADAPTADOR
35	N539	CUBIERTA DE LA PLACA BASE (PARA LOS MODELOS SPOA10 Y SPO10 SOLAMENTE)
36	40271	PERNO ROSCADO COMPLETO DE 5/16"-18NC x 1-1/2"
37	40670	TUERCAS HEXAGONALES DE 5/16"-18NC

# Detalle de Shockwave

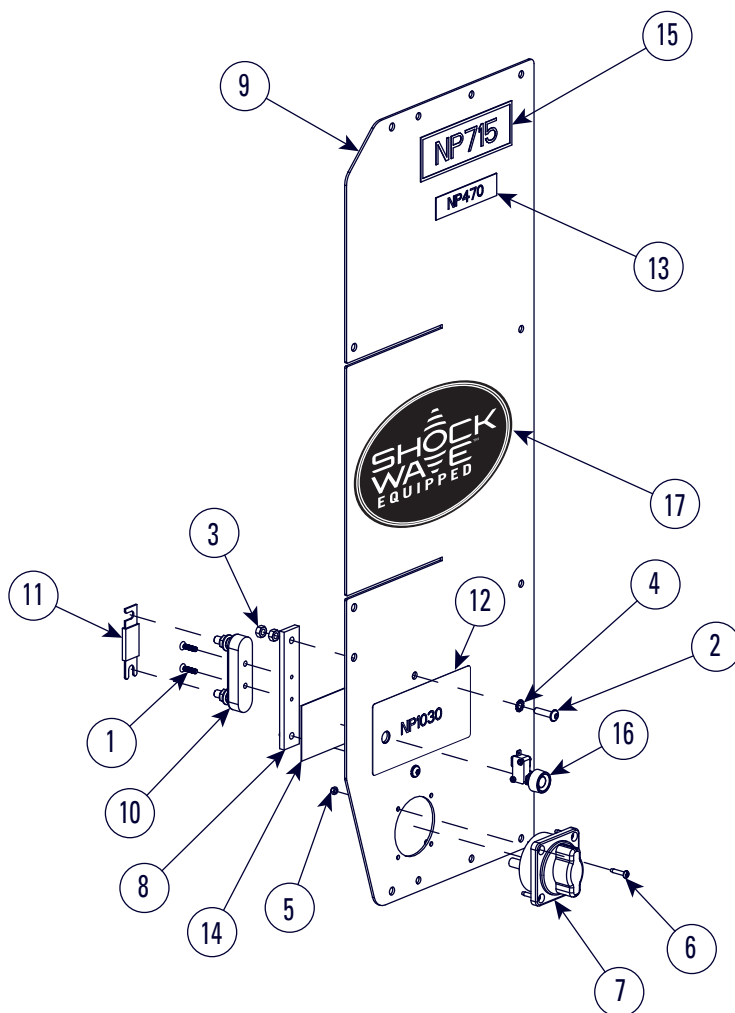


# Detalle de Shockwave

CONTROL CC		
ARTÍCULO	PIEZA NO.	DESCRIPCIÓN
1	40077	Tornillo allen de cabeza hueca hexag. bridados de 1/4"-20NC x 1" de largo, GRADO 2
2	40094	Tornillo allen de cabeza hueca hexag. bridados de 1/4"-20NC x 1" de largo
3	NA	NA
4	40641	TUERCAS DE SEGURIDAD HEXAGONALES BRIDADAS DE 1/4"-20NC, CROMADAS
5	40779	DIENTE EXT. DE 1/4" LW
6	FA7618	DESCONECTAR: CABLE DE FUSIBLE
7	FA7619	FUSIBLE: CABLE DEL CONTACTOR
8	FA7667	BATERÍA- DESCONECTAR CABLE
9	FA7668	BATERÍA- DESCONECTAR CABLE
10	FA966-22	TUERCA A PRESIÓN
11	FA966-34	TAPÓN DE ORIFICIO DE 1-1/4"
12	FA966-37	CONJUNTO DE MARCO IZQUIERDO DE GABINETE DE BATERÍA
13	FA966-39	SOLDADO DE CUBIERTA SUPERIOR DEL GABINETE DE BATERÍA
14	FA966-42	SOLDADO DE CUBIERTA SUPERIOR DEL GABINETE DE BATERÍA
15	FA966-45	CUBIERTA INFERIOR DELANTERA DEL GABINETE DE BATERÍA
16	FA966-46	CUBIERTA INFERIOR DELANTERA DEL GABINETE DE BATERÍA
17	FA966-48	CONJUNTO DE ESTANTE INFERIOR DE GABINETE DE BATERÍA
18	FA986-1	MARCO DERECHO DE GABINETE DE BATERÍA
19	FA966-50	CONJUNTO DE CUBIERTA SUPERIOR DELANTERO DEL GABINETE DE BATERÍA
20	FA966-58	SOLDADURA DE ESTANTE DE GABINETE DE BATERÍA
21	FA970	ARNÉS DEL CONTACTOR
22	FA971	ARNÉS SUPERIOR
23	FA978	DESCONECTAR ARNÉS
24	FA982	CABLE A TIERRA
25	FA966-60	TAPÓN DEL ORIFICIO TRANSPARENTE

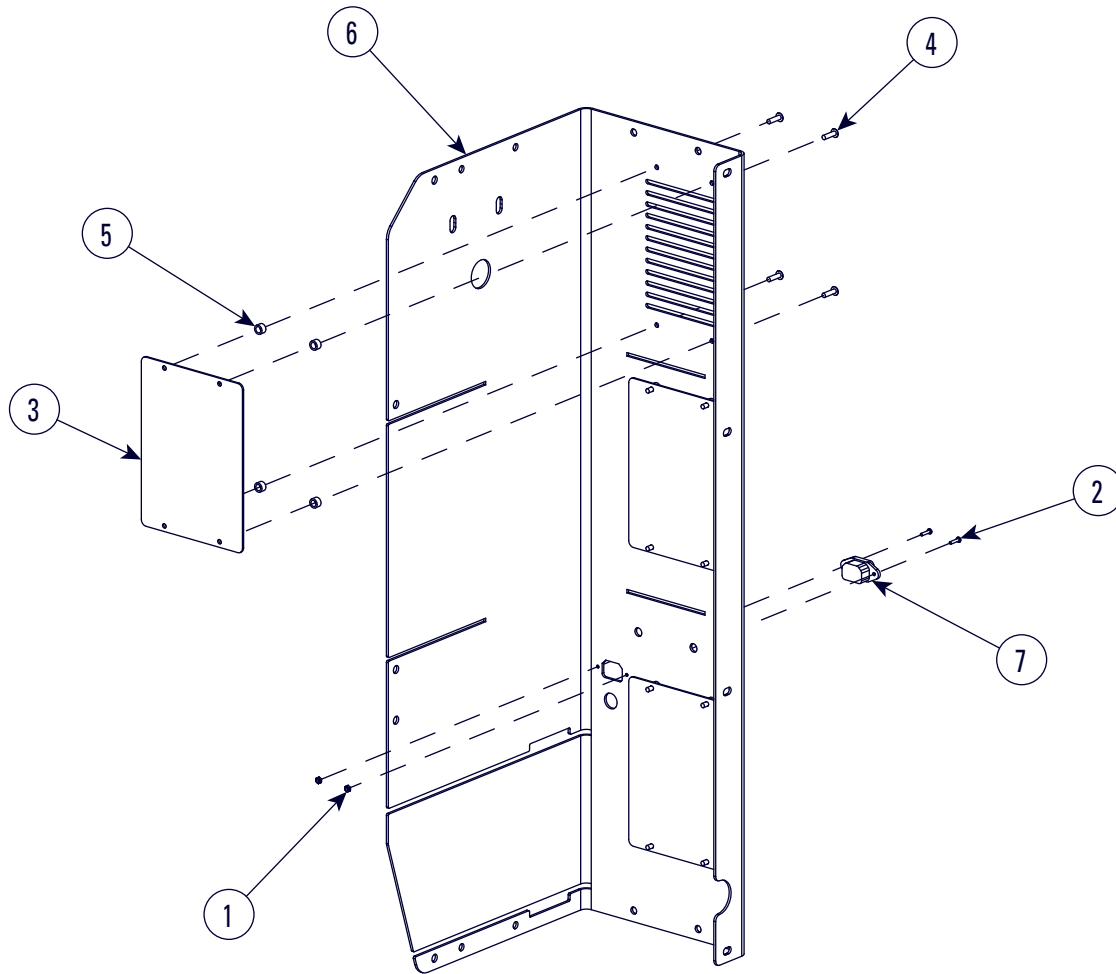


# Detalle de Shockwave



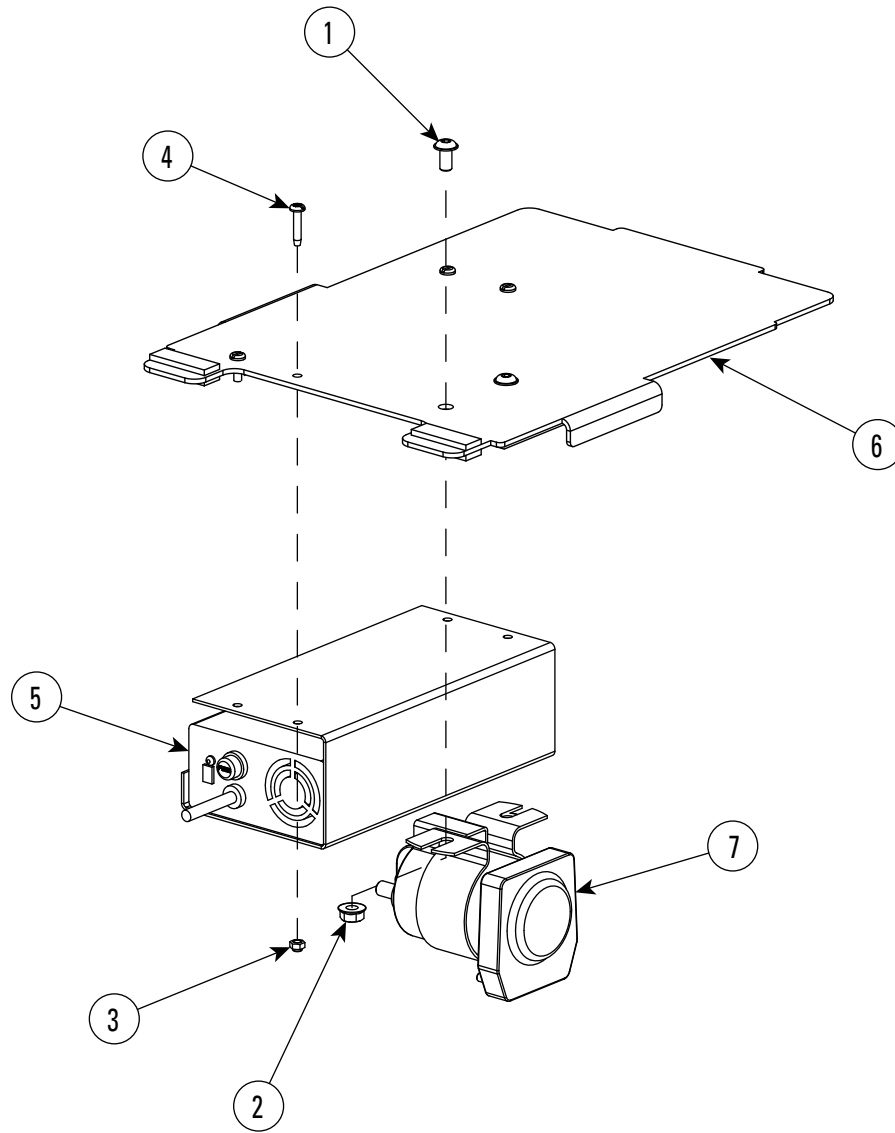
CONJUNTO DE MARCO DERECHO		
ARTÍCULO	PIEZA NO.	DESCRIPCIÓN
1	40004	#10-24 x 5/8 PFHMS, McMASTER-CARR # 90471A315 o similares
2	40077	Tornillo allen de cabeza hueca hexag. bridados de 1/4"-20NC x 1" de largo, GRADO 2
3	40627	TUERCA HEXAGONAL 1/4"-20NC, PLTD
4	40779	DIENTE EXT. DE 1/4" LW
5	450957	TUERCA DE SEGURIDAD DE NYLON N.º 8-32NC
6	40022	Tornillo Phillips N.º 8-32NC x 2/2" de largo
7	FA7958-4	INTERRUPTOR DE DESCONEXIÓN CC
8	FA966-8	SOPORTE DE MONTAJE SOSTÉN DE FUSIBLE
9	FA986-10	MARCO DERECHO DE GABINETE DE BATERÍA
10	FA975	PORTAFUSIBLES
11	FA975-1	FUSIBLE DE 350 AMPERIOS
12	NP1030	PLACA ROTULADORA DE BOTÓN PULSADOR
13	NP470	ETIQUETA DE ADVERTENCIA DE UBICACIÓN DEL MOTOR
14	NP692	PLACA ROTULADORA
	NP1066	PLACA ROTULADORA
15	NP715	PLACA ROTULADORA
16	<a href="#">P1483</a>	<a href="#">CONJUNTO DE INTERRUPTOR DE LIMITACIÓN</a>
17	NP1067	DECAL SHOCKWAVE

# Detalle de Shockwave



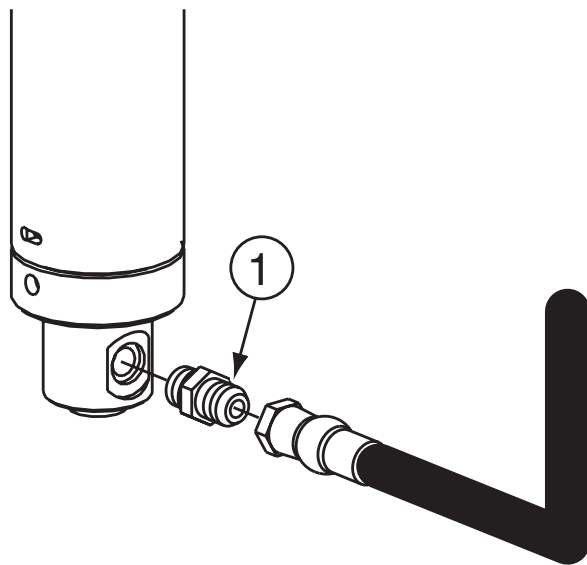
CONJUNTO DE MARCO IZQUIERDO		
ARTÍCULO	PIEZA NO.	DESCRIPCIÓN
1	41628	TUERCA DE INSERTO DE NYLON N.º 4-40 MMC N.º90633A005
2	796443	#4-40 x 1/2 Lg. PHMS, PHIL., CROMADO
3	FA966-17	PANTALLA PROTECTORA
4	FA966-18	REMACHE DE CABEZA CIRCULAR
5	FA966-21	ESPACIADOR
6	FA966-52	CONJUNTO DE MARCO IZQUIERDO DE GABINETE DE BATERÍA
7	FA983	CABLE DE CORRIENTE INTERNO DEL CARGADOR

# Detalle de Shockwave



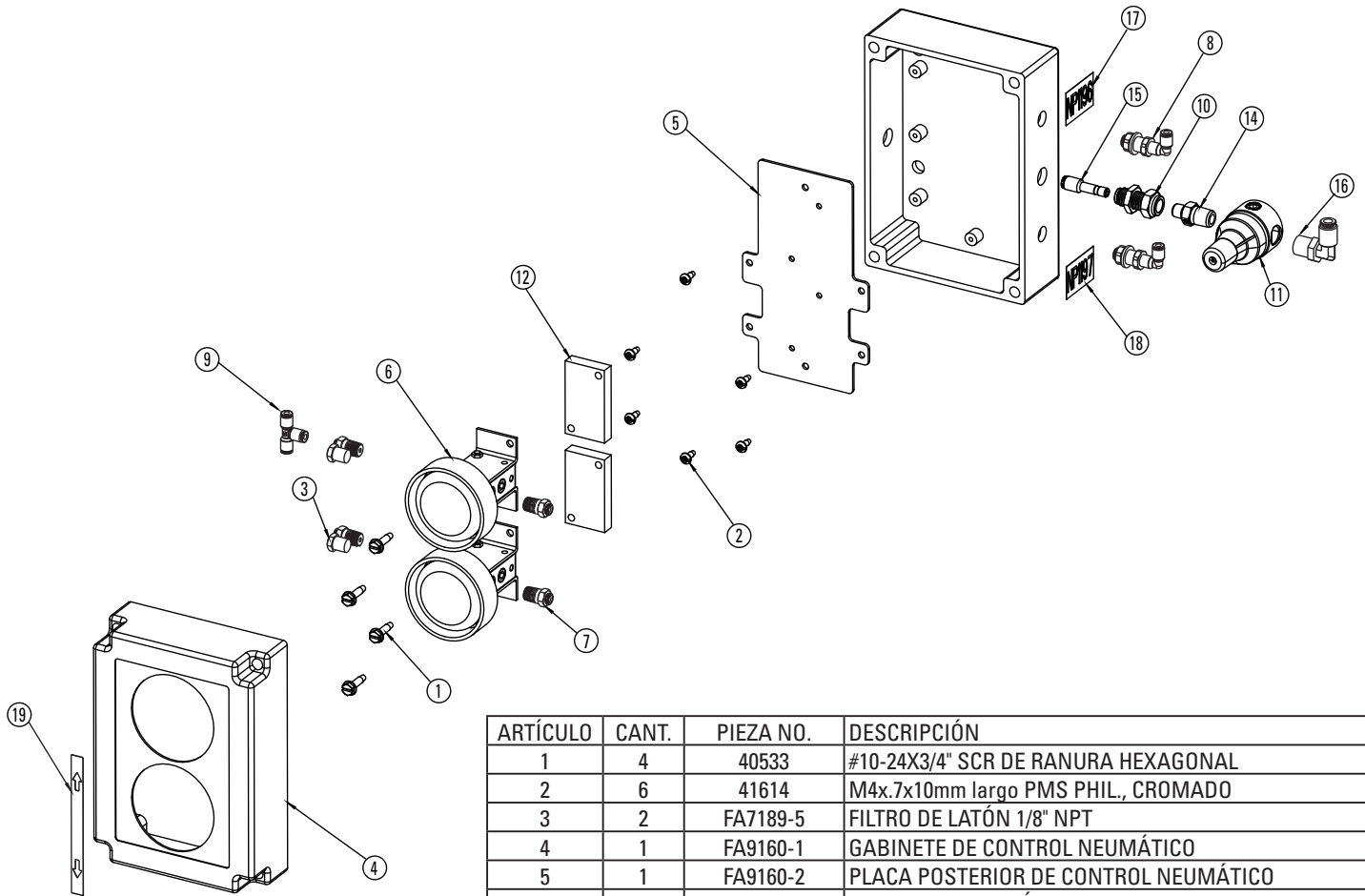
CONJUNTO DE ESTANTE INFERIOR		
ARTÍCULO	PIEZA NO.	DESCRIPCIÓN
1	40094	Tornillo allen de cabeza hueca hexag. bridados de 1/4"-20NC x 1/2" de largo
2	40641	TUERCAS DE SEGURIDAD HEXAGONALES BRIDADAS DE 1/4"-20NC, CROMADAS
3	450957	Tuerca de Bloqueo de Nylon #8-32NC
4	40022	Tornillo Phillips N.º 8-32NC x 1/2" DE LARGO
5	FA966-62	ENSAMBLE DEL CARGADOR DE 24V 8A
6	FA966-58	SOLDADURA DE ESTANTE DE GABINETE DE BATERÍA
7	<a href="#">FA976</a>	<a href="#">CONTACTOR CC</a>

## Detalle del Adaptador de la Manguera del Cilindro



ELEMENTO	DESCRIPCIÓN	N.º DE PIEZA
1.	Adaptador recto.....	FJ7352-3

# Panel de Control Neumático



ARTÍCULO	CANT.	PIEZA NO.	DESCRIPCIÓN
1	4	40533	#10-24X3/4" SCR DE RANURA HEXAGONAL
2	6	41614	M4x.7x10mm largo PMS PHIL., CROMADO
3	2	FA7189-5	FILTRO DE LATÓN 1/8" NPT
4	1	FA9160-1	GABINETE DE CONTROL NEUMÁTICO
5	1	FA9160-2	PLACA POSTERIOR DE CONTROL NEUMÁTICO
6	2	FA9160-3	ACTUADOR NEUMÁTICO DE TOQUE LIGERO
7	4	FC67-97	ACCESORIO RECTO TUBO DE 5/32" T01/8" NPTF (MACHO)
8	2	FA9160-14	ACCESORIO DE MAMPARA CON CODO OSCILANTE PARA TUBO DE 5/32"
9	1	450932	TE DE UNIÓN PARA GANCHO A PRESIÓN 5/32"
10	1	FA7189-4	ADAPTADOR DE MAMPARA PASANTE 1/8" NPTF(H) A TUBO DE 1/4"
11	1	FA9160-9	REGULADOR DE PRESIÓN NO AJUSTABLE (40 PSI)
12	2	FA9160-10	ESPACIADOR
13	1	FA9160-15	TUBO NEUMÁTICO DE 5/32" DE O.D.
14	1	FA9160-12	BOQUILLA HEXAGONAL 1/8" NPTF(M) A 1/4" NPTF(M)
15	1	FA793-6	REDUCTOR DE EXTREMO DE TUBO DE 1/4" A 5/32"
16	1	FC5341-90	CONECTOR DE CODO MACHO
17	1	NP1196	PLACA DE IDENTIFICACIÓN DE SALIDA DE AIRE (ELEVACIÓN)
18	1	NP1197	PLACA DE IDENTIFICACIÓN DE SALIDA DE AIRE (DESCENSO)
19	1	NP1200	PLACA DE IDENTIFICACIÓN DE FLECHAS DIRECCIONALES

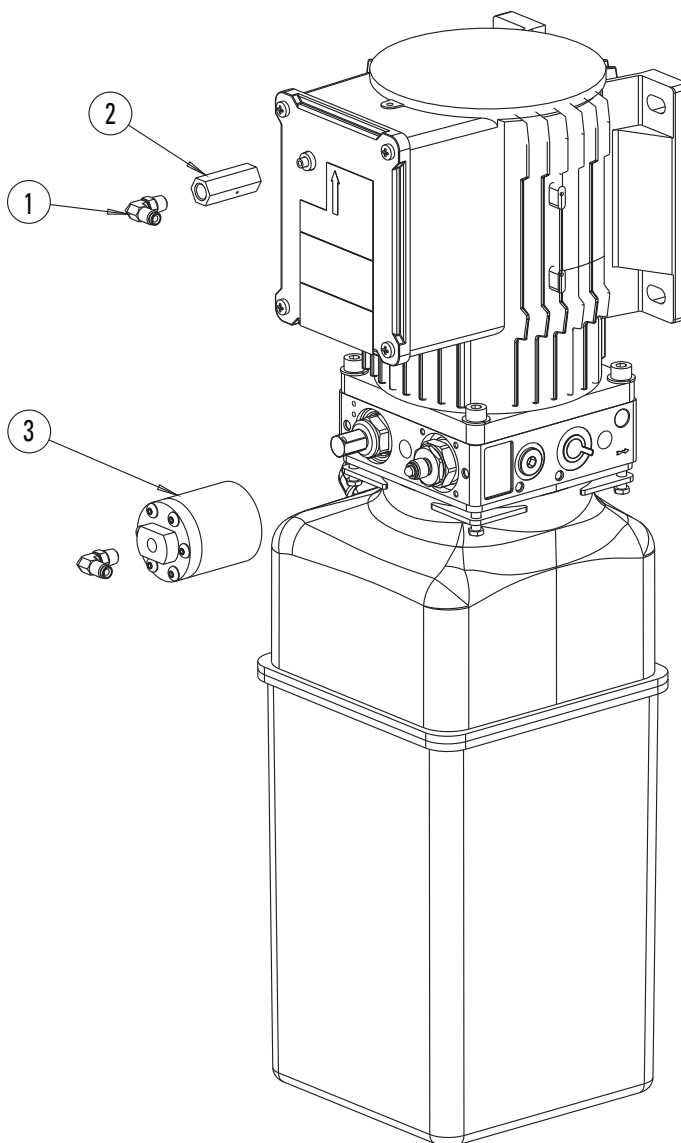
Nota: FA9160-15 no mostrado

# Unidad de energía para usar con el panel de control neumático

Modelo de 60 Hz - P3666

Modelo de 50 Hz - P3667

**Nota:** P3666 y P3667 son idénticos a la unidad de energía estándar monofásica con excepción del agregado de T140245 y FA9161.



ARTÍCULO	CANT.	PIEZA NO.	DESCRIPCIÓN
1	2	FA793-3	CODO OSCILANTE 1/8" NPTF (MACHO) A TUBO DE 5/32"
2	1	FA9161	INTERRUPTOR NEUMÁTICO A ELÉCTRICO
3	1	T140245	ACTUADOR NEUMÁTICO



**Oficinas centrales en el mundo de Rotary**

2700 Lanier Drive  
Madison, IN 47250, Estados Unidos  
www.rotarylif.com

**Información de contacto para Norteamérica**

Soporte técnico:  
Tel. 800.445.5438  
Fax 800.578.5438  
Correo-e userlink@rotarylif.com

Ventas:  
Tel. 800.640.5438  
Fax 800.578.5438  
Correo-e userlink@rotarylif.com

**Información de contacto en el mundo**

Oficinas centrales en el mundo/EE. UU. 1.812.273.1622  
Canadá: 1.905.812.9920  
Oficinas centrales en Europa/Alemania: +49.771.9233.0  
Reino Unido: +44.178.747.7711  
Australasia: +60.3.7660.0285  
América Latina/Caribe: +54.3488.431.608  
Oriente Medio/África del norte: +49.771.9233.0

**© Vehicle Service Group<sup>SM</sup>**

Impreso en los Estados Unidos,  
Todos los Derechos Reservados. A  
menos que se indique otra cosa,  
ROTARY y todas las otras marcas  
comerciales son propiedad de Dover  
Corporation y de sus afiliados.

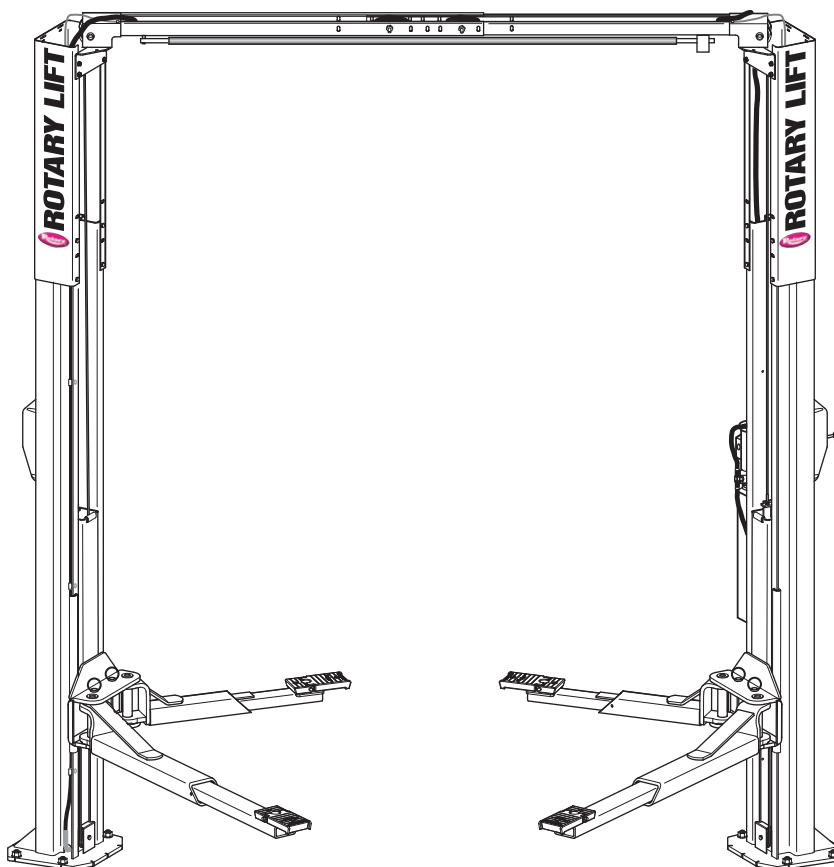






# Modèles SPOA10, SP010, SPOA7 Hybrid, & Shockwave™

(Élévateurs de série 500, 700 et 800)  
Capacité 10,000 lbs. (4 536 kg)



RÉPARTITION DES PIÈCES

**IMPORTANT :** Lors de commandes de pièces ou de demandes de service, toujours donner le numéro exact du modèle et le numéro de série de l'unité de puissance. Le numéro de modèle est indiqué sur la plaque signalétique attachée à la colonne du module d'alimentation. Le numéro de série est situé sur le côté de l'unité d'alimentation.

**DOSSIER PROPRIÉTAIRE**  
Complétez les informations à droite et conservez-les dans un endroit sûr.

Date d'installation \_\_\_\_\_

Installation dans la baie # \_\_\_\_\_

# de série de l'unité d'alimentation \_\_\_\_\_

# de modèle de l'unité d'alimentation \_\_\_\_\_

# Série de l'élévateur \_\_\_\_\_

# Modèle de l'élévateur \_\_\_\_\_

**REMARQUE :** Pour le remplacement des pièces - voir votre distributeur de pièces Rotary le plus proche.



1. C.G. Assemblage soudé Colonne Standard.....	N752	39. Câbles d'égalisation	
C.G. Assemblage soudé Colonne Sismique.....	N766	SPOA10NB .....	N384
2. C.D. Assemblage soudé Colonne Standard.....	N755	SPOA10NB EH-1 MODÈLE .....	N385
C.D. Assemblage soudé Colonne Sismique.....	N768	SPOA10NB EH-2 MODÈLE .....	N386
3. Extension de colonne		<b>SPOA10.....</b>	<b>N372</b>
Hauteur Standard .....	N470	SPOA10 EH-1 MODÈLE .....	N378
MODÈLE EH-1 .....	N471	SPOA10 EH-2 MODÈLE .....	N373
MODÈLE EH-2 .....	N472	<b>SPO10.....</b>	<b>N374</b>
MODÈLE EH-4 (SPO10 seulement).....	N474	SPO10 EH-1 MODÈLE .....	N379
4. Ensemble soudé de l'étrier du châssis .....	N822	SPO10 EH-2 MODÈLE .....	N375
5. Goupille de bras .....	N2154	SPO10 EH-4 MODÈLE .....	N376
6. 1/4"-20NC x 3/4" Lg. HHCS .....	40099	40. Boîtier du condensateur.....	FA7147-1
7. Vérin hydraulique		Plaque de couvercle du boîtier de	
Élévation 68".....	N3156	condensateur .....	FA7366-1
Élévation 71".....	N382	Commutateur à tambour.....	FA7364
8. Groupe d'alimentation		Levier du commutateur à tambour.....	FA7364-1
1Ø 60Hz .....	**P1302/P3302	M5 x 45 PHMS plaqué.....	41672
1Ø 50Hz .....	**P1389/P3389	41. Câble du loquet de Verrouillage .....	FJ7600
3Ø.....	**P1347/P3347	42. Guide de Câble .....	N618
3Ø 575V .....	**P1359/P3359	43. Écrou de blocage à bride 3/8"-16NC.....	40664
3Ø 380V (Modèle S).....	**P1510/P3510	44. Arbre de poulie.....	FJ7444-8
<b>9. Tuyau d'unité d'alimentation .....</b>	<b>FJ837</b>	45. Assemblage d'actionneur (3Ø seulement) .....	N432-5
10. HHCS à bride entièrement fileté		46. Support d'extrémité de câble .....	N619
5/16"-18NC x 1-1/2" .....	40509	47. Attache de tuyau.....	N383
11. NA.....	NA	48. C.G. Assemblage suspendu (extérieur).....	N480
12. Écrou hexagonal de blocage à bride		49. C.D. Assemblage suspendu (intérieur) .....	N481
5/16"-18NC .....	40678	50. Raccord en T .....	FJ7668
13. Poignée goupille de l'actuateur .....	FJ7985-1	51. Support de montage de colonne.....	N439
14. Goupille d'activateur .....	N121-1	52. Boulon de châssis 3/8"-16NC x 3/4".....	N/A
15. Goupille de retenue .....	N119-3	53. Écrou de blocage à bride 1/4"-20NC.....	40641
16. Ressort de retenue de bras.....	FJ7656-2	54. Entretoises 3/4".....	FJ7871
17. Vis de purge (spécifiez le fabricant).....	N/A	55. Assemblage de l'interrupteur de limite	
18. Pare-chocs de châssis .....	FA941	1Ø / 3Ø w/ Bouton-poussoir .....	N413
19. Cliquet de retenue de bras .....	N2121	3Ø.....	N432
20. Pare-chocs d'approche .....	FJ7391-1	Commandes antidéflagrantes.....	N4118
21. Écrous auto freinés à bague de nylon		Interrupteur de coupure	
5/8"-11NC .....	40743	<b>1Ø / 3Ø w/ Bouton-poussoir .....</b>	<b>N413-1</b>
22. Truarc #5304-75 Klipping pour 3/4" Arbre.....	41411	3Ø.....	N432-1
<b>23. Poulie .....</b>	<b>N377</b>	Commandes antidéflagrantes.....	N4118-2
24. Écrou hexagonal de Zinc 1/4"-20NC .....	40627	56. Rondelle de frein à dents externes de 1/4" .....	40779
25. Couvercle de poulie.....	N119-1	57. HHCS Grade 5, 1/4"-20NC x 1" .....	40108
26. 1/4"-20NC x 3/8" Lg. PHMS plaqué (2 pièces).....	40063	58. Goupille à ressort-1/4" dia. x 1-1/2" Lg.	
27. Bloc coulissant.....	FJ7360	(Inoxydable).....	14427
28. Ancrage de béton 3/4" .....	FJ7380	59. Cale .....	FJ716-6
29. Bague 1-1/2" O.D. x .760-.770" I.D. x .045" .....	41388	60. Cale avant .....	FJ7659-3
30. 1/4"-20NC x 2-3/4" HHCS.....	40114		
31. Contre-écrou auto freiné 1/4"-20NC .....	40642		
32. 1/8" x 1" Lg. Goupille fendue (3Ø seulement).....	41200		
33. Assemblage de barre de commutation			
1Ø SPOA10NB .....	N415		
1Ø SPOA10/SPO10/3Ø avec Bouton-poussoir ...	N467		
3Ø.....	N434		
<b>34. Trousse du centreur de positionnement</b>			
<b>de pneu.....</b>	<b>FF729</b>		
35. 1/4" Rondelle plate .....	40795		
36. HHCS à brides longs 3/8"-16 NC x 3/4" .....	40124		
<b>*37. Trousse de rétention de bras (1 bras) .....</b>	<b>*N2148</b>		
38. Tuyau suspendu			
Standard.....	N3103		
MODÈLE EH-1 .....	FJ842		
MODÈLE EH-2.....	FJ843		
MODÈLE EH-4 (SPO10 seulement).....	FJ845		

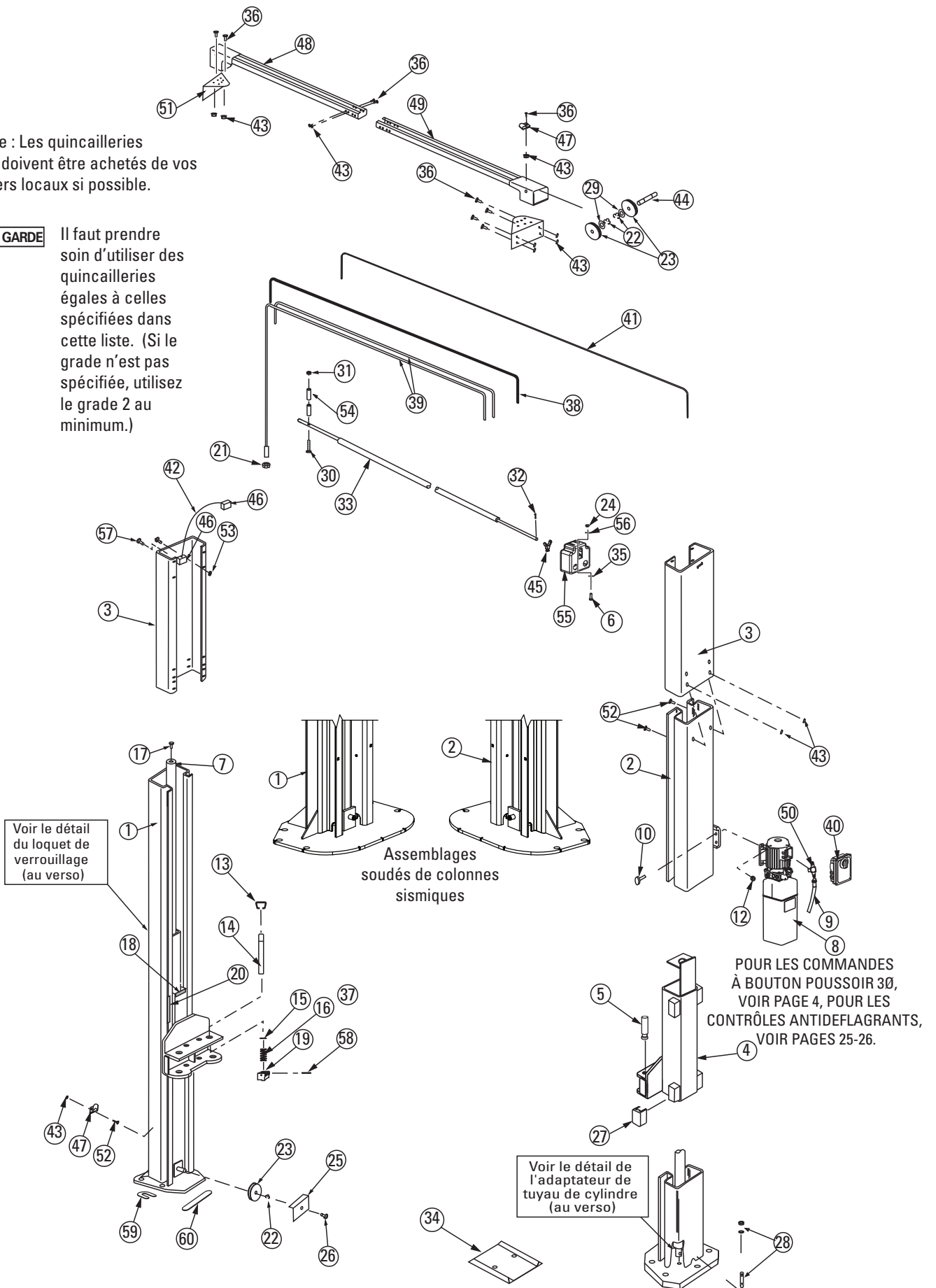
\* Trousse de retenue de bras (1 bras) Comprend les items 13, 14, 15, 16, 19 et 58. Inclut également les dispositifs de retenue et le matériel de fixation (articles 21, 22 et 23) de la section Détail de bras.

\*\* Deux unités de puissance différentes ont été utilisées. Veuillez vérifier votre numéro de modèle avant de commander des pièces.

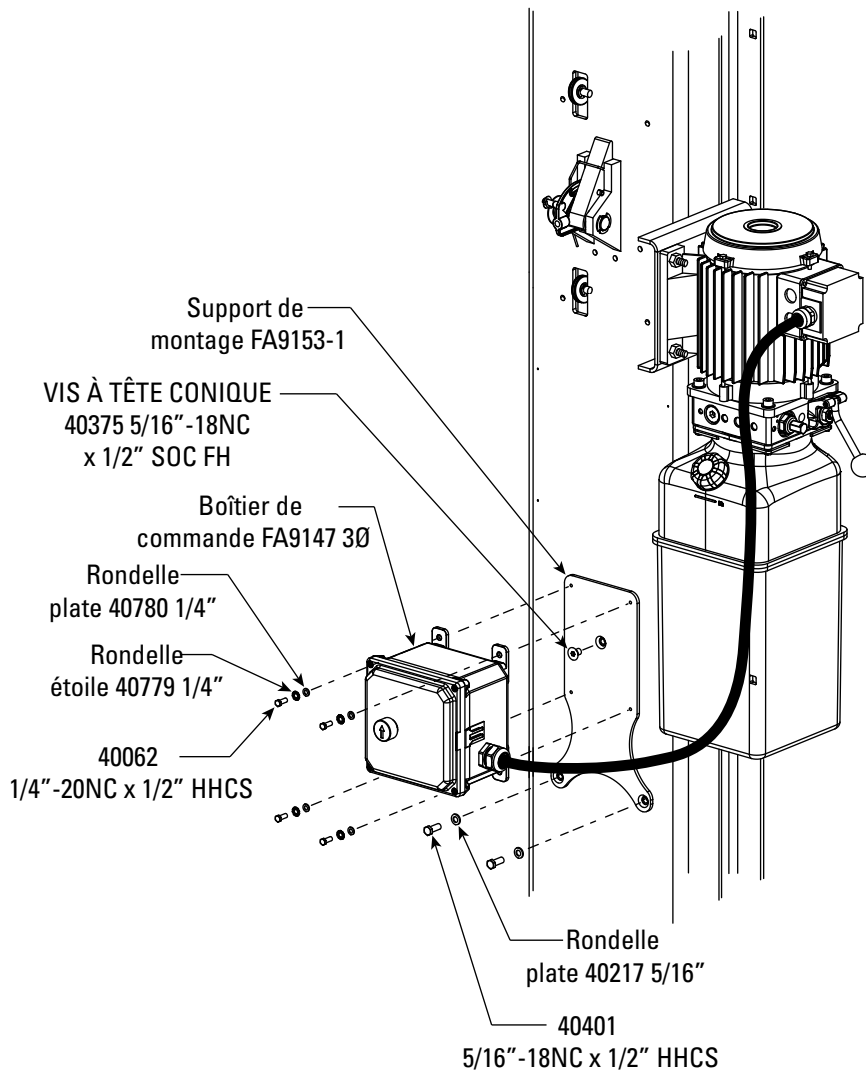
Remarque : Les quincailleries standard doivent être achetées de vos quincaillers locaux si possible.

**MISE EN GARDE**

Il faut prendre soin d'utiliser des quincailleries égales à celles spécifiées dans cette liste. (Si le grade n'est pas spécifiée, utilisez le grade 2 au minimum.)

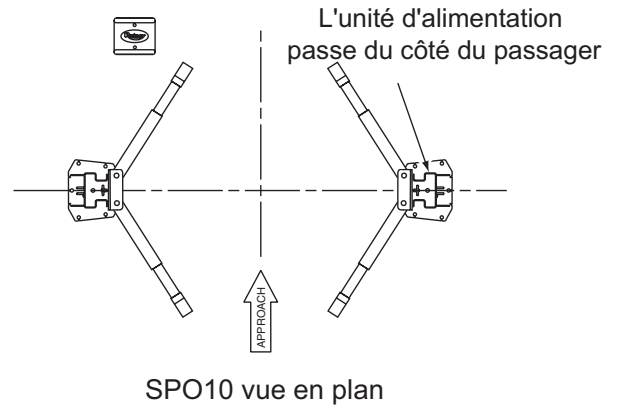
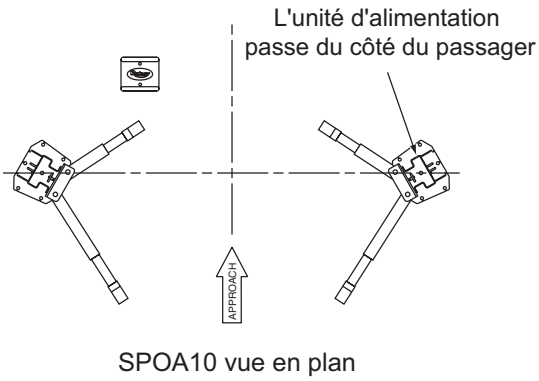


## UNITÉ D'ALIMENTTION 3Ø



FA9147 Comprend des articles :	
FA9147-1	Boîtier de boîte de contrôle avec joint 3Ø
FA9147-2	25 AMP Contacteur, 3 pôles avec bobine de 480 volts GE CR553AB3CAA
FA9147-6	Bobine de contacteur DB1AB 208-240 Volt pour contacteur GE CR553A
FA9147-8	Échanger le Bouton-poussoir Momentané avec le Bloc de Contact
FA9147-9	Cordon 600 Volt à 4 fils de 42" de long avec bornes à annea

FA9147-12	Goupille GE PB1AD de bobine de 550-600 volts pour les élévateurs de 575 volts seulement
-----------	---



**\*Remarque : Série 5TX, 5GX ou 5BX ?**

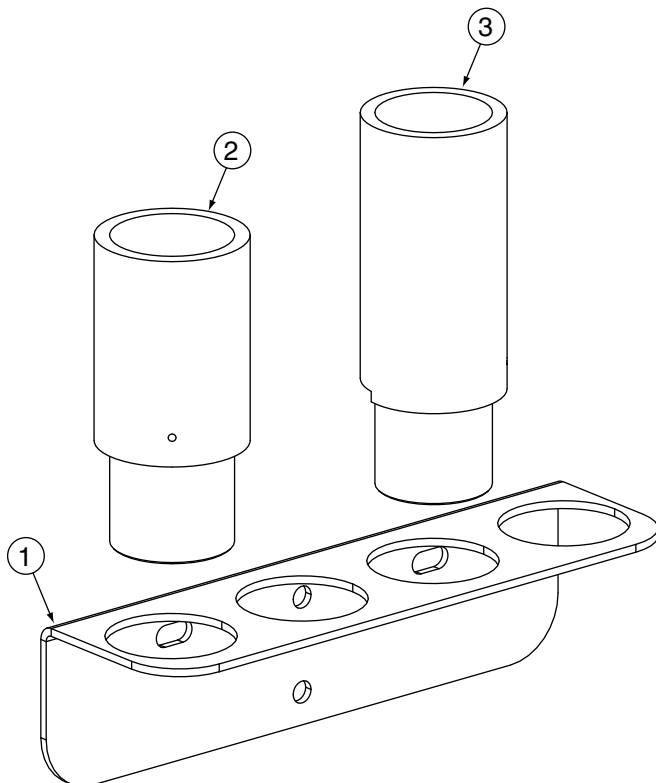
Pour savoir si vous avez un bras de série **5TX, 5GX ou 5BX**, regardez les **trois (3) derniers chiffres à la fin** de votre numéro de modèle d'élévateur.

EXEMPLE : SPOA10N**5G5** serait un modèle de la **série 5GX**.



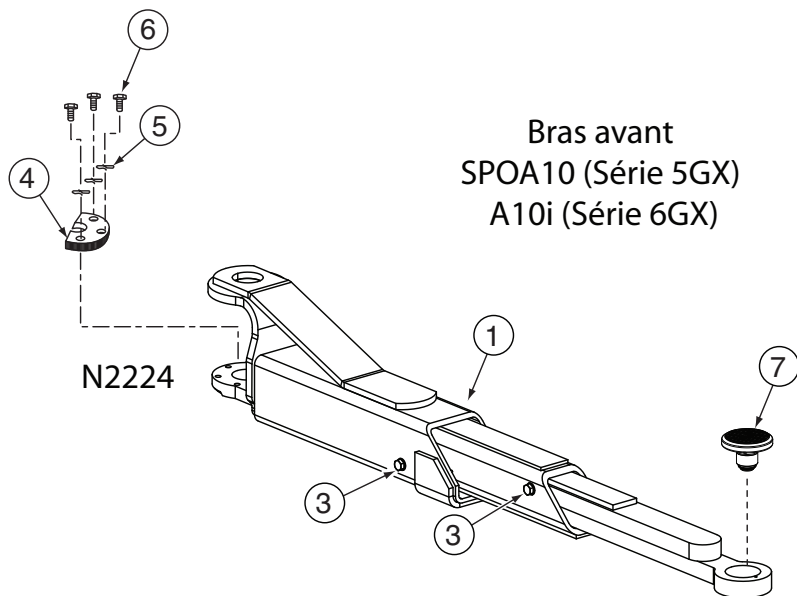
Le numéro de modèle peut être trouvé sur une étiquette sur le côté de l'élévateur.

Le « X » est un nombre variable utilisé pour remplir l'endroit du dernier numéro réel sur votre étiquette de numéro de modèle d'élévateur.

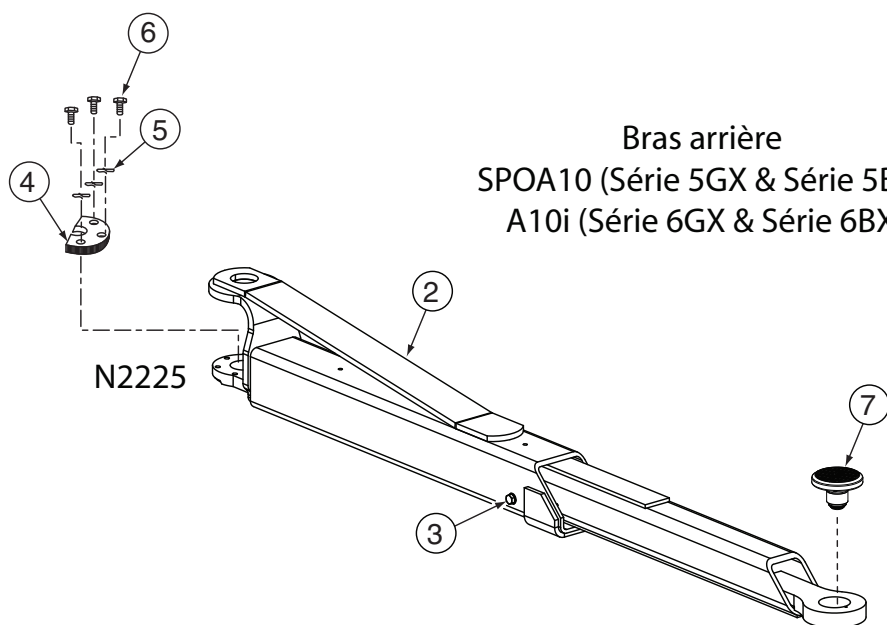


1.	Support d'adaptateur	FJ6127
2.	Extension de l'adaptateur 3-1/2" (90mm)	FJ6171-1
3.	Extension de l'adaptateur 5-1/4" (130mm)	FJ6171-2

# Détail de Bras



Bras avant  
SPOA10 (Série 5GX)  
A10i (Série 6GX)

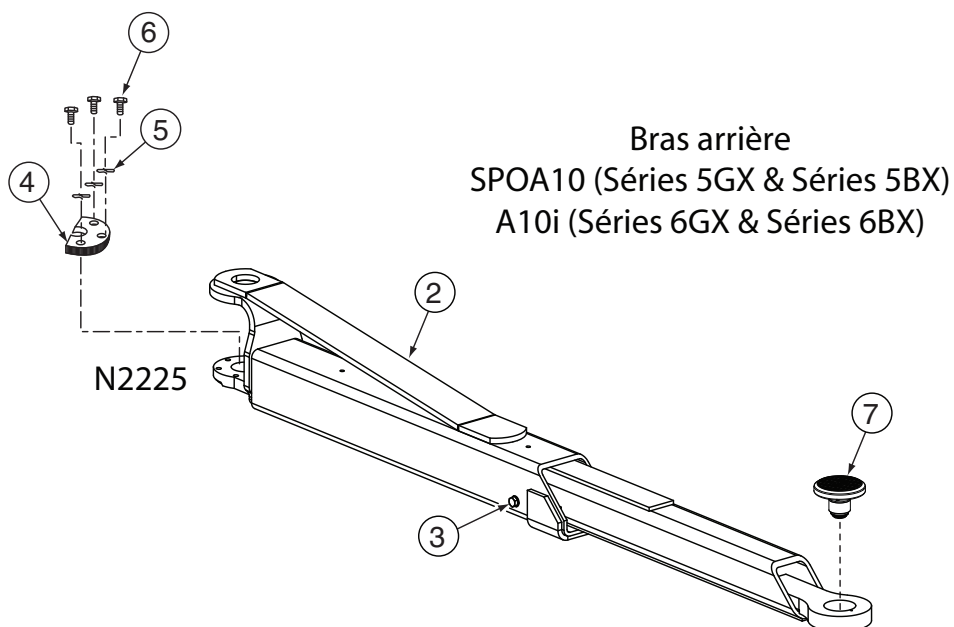
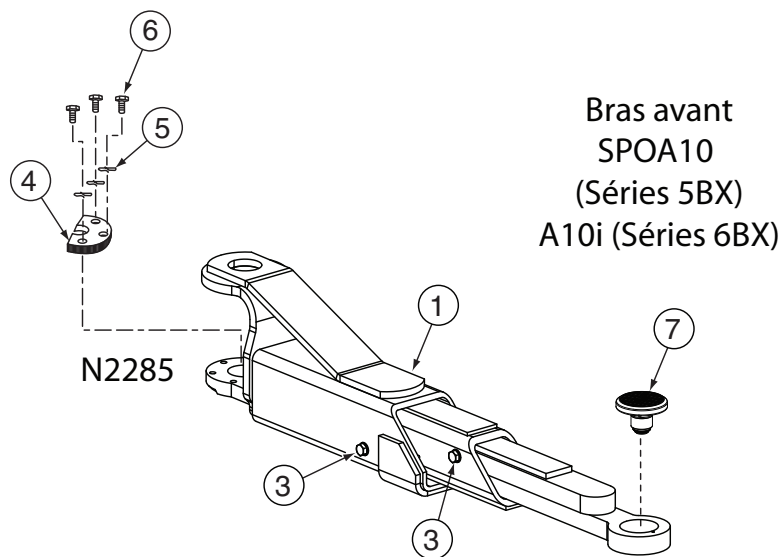


Bras arrière  
SPOA10 (Série 5GX & Série 5BX)  
A10i (Série 6GX & Série 6BX)

1.	Bras avant	
	SPOA10 (Séries 5GX)	*N2224
2.	Bras arrière	
	SPOA10 (Séries 5GX) & (Séries 5BX)	*N2225
3.	Assemblage de boulon d'arrêt	N219
4.	Dispositif de retenue de bras	N2122

5.	Rondelles à ressort de 3/8" (pour élévateur avec barre d'appui taraudée)	40818
6.	HHCS Grade 5, 3/8" -16NC x 1-1/2"	40201
7.	Assemblage d'adaptateur à profil bas	FJ6202
	Tampon en caoutchouc	FJ6202-3

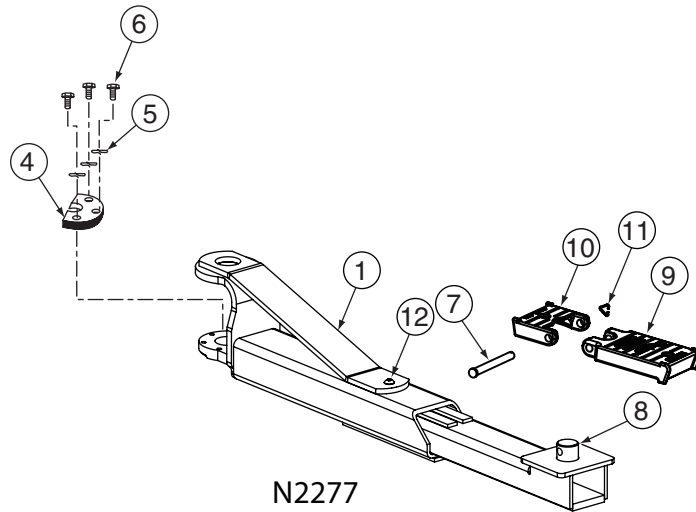
# Détail de Bras



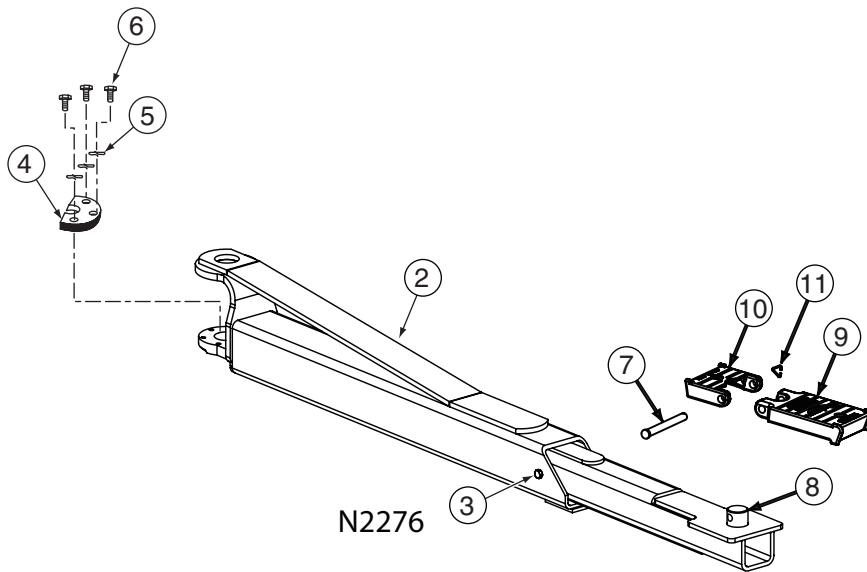
1.	Bras avant	
	SPOA10 (Séries 5BX)	*N2285
2.	Bras arrière	
	SPOA10 (Séries 5GX) & (Séries 5BX)	*N2225
3.	Assemblage de boulon d'arrêt	N219
4.	Dispositif de retenue de bras	N2122

5.	Rondelles à ressort de 3/8" (pour élévateur avec barre d'appui taraudée)	40818
6.	HHCS Grade 5, 3/8" - 16NC x 1-1/2"	40201
7.	Assemblage d'adaptateur à profil bas	FJ6202
	Tampon en caoutchouc	FJ6202-3

# Détail de Bras



Bras avant  
SPOA10 (Séries 70X)  
A10i (Séries 70X)



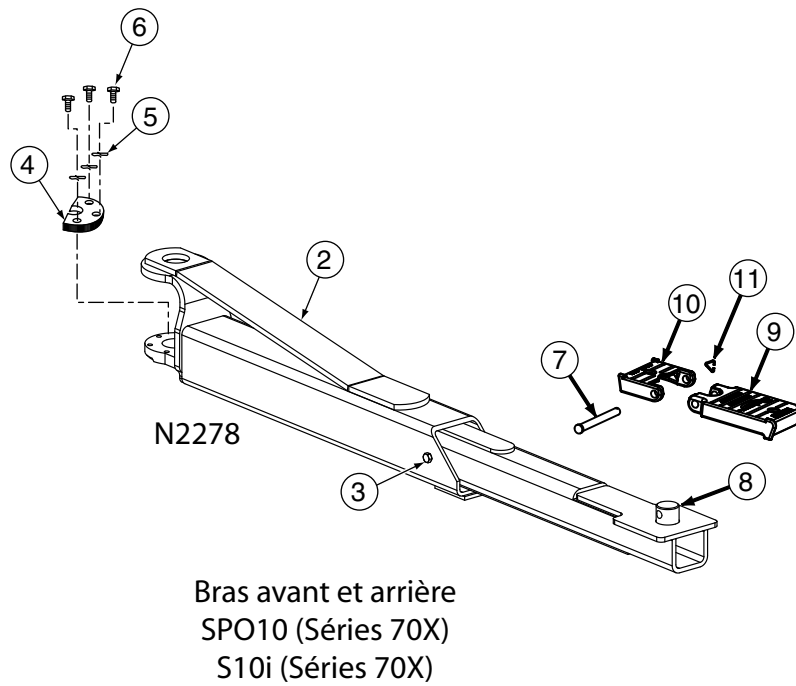
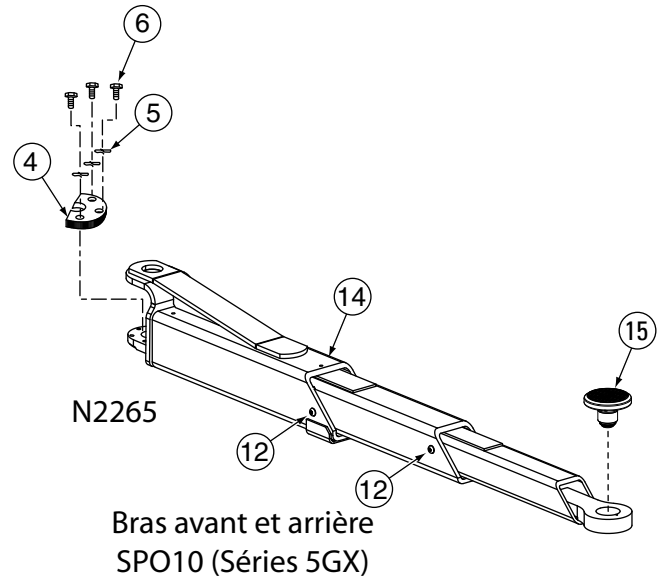
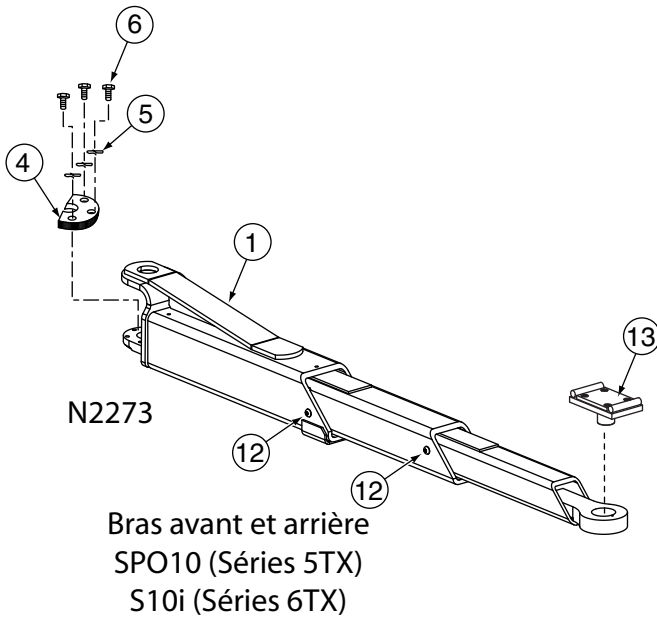
Bras arrière  
SPOA10 (Séries 70X)  
A10i (Séries 70X)

1.	Bras avant	
	SPOA10 (Séries 70X)	*N2277
2.	Bras arrière	
	SPOA10 (Séries 70X)	*N2276
3.	Boulon d'arrêt 3/8"-16NC x 1/2" Lg. HHCS	40126
4.	Dispositif de retenue de bras	N2122
5.	Rondelles à ressort de 3/8" (pour élévateur avec barre d'appui taraudée)	40818

6.	HHCS Grade 5, 3/8"-16NC x 1-1/2"	40201
7.	Goupille d'adaptateur	FJ6179
8.	Goupille pivotante d'adaptateur	FJ79-6
9.	Adaptateur haut-niveau	FJ6177
10.	Adaptateur bas-niveau	FJ6178
11.	Anneau ouvert de 3/32" pour arbre de 1/2" (8 requis)	FJ671-6
12.	Boulon d'arrêt avant (M10 x 1,5 x 20mm BHCS)	41650



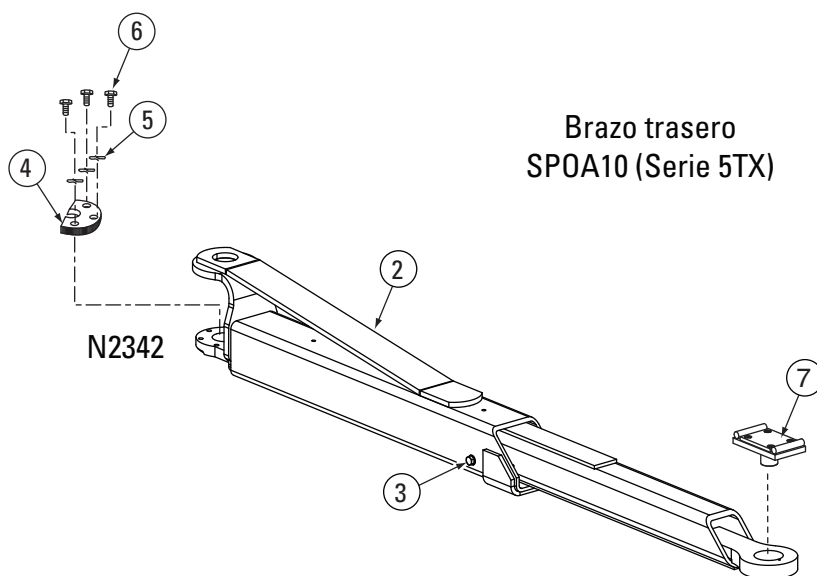
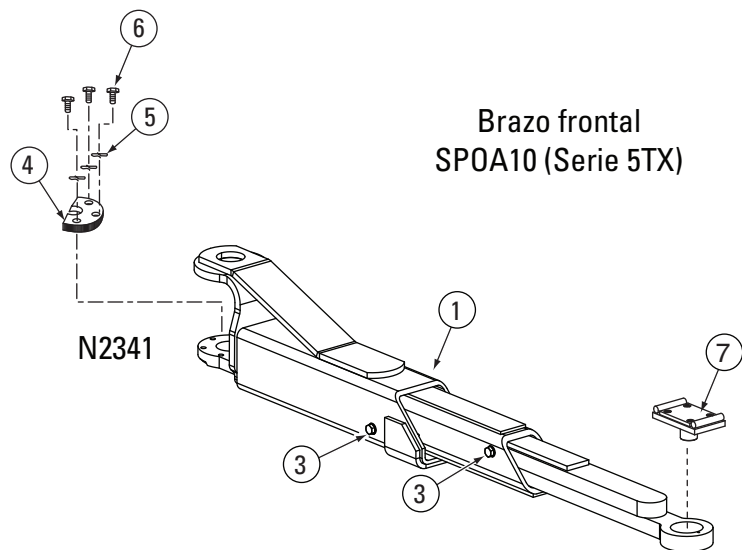
# Détail de Bras



1.	Bras avant et arrière SPO10 (Séries 5TX)	*N2273
2.	Bras arrière SPO10 (Séries 70X)	*N2278
3.	Boulon d'arrêt 3/8"-16NC x 1/2" Lg. HHCS	40126
4.	Dispositif de retenue de bras	N2122
5.	Rondelles à ressort de 3/8" (pour élévateur avec barre d'appui taraudée)	40818
6.	HHCS Grade 5, 3/8" -16NC x 1-1/2"	40201
7.	Goupille d'adaptateur	FJ6179
8.	Goupille pivotante d'adaptateur	FJ79-6

9.	Adaptateur haut-niveau	FJ6177
10.	Adaptateur bas-niveau	FJ6178
11.	Anneau ouvert de 3/32" pour arbre de 1/2" (8 requis)	FJ6171-6
12.	Boulon d'arrêt avant (M10 x 1,5 x 20mm BHCS)	N2264-15
13.	Assemblage d'adaptateur (SPO10) Bras à 3 étages	FJ6214
	Tampon en caoutchouc	FJ6158-4
14.	Bras avant et arrière SPO10 (Série 5GX)	*N2265
15.	Assemblage d'adaptateur à profil bas	FJ6202
	Tampon en caoutchouc	FJ6202-3

# Détail de Bras



1.	Bras avant	
	SPOA10 (Séries 5TX)	*N2341
2.	Bras arrière	
	SPOA10 (Séries 5TX)	*N2342
3.	Assemblage de boulon d'arrêt	N219
4.	Dispositif de retenue de bras	N2122

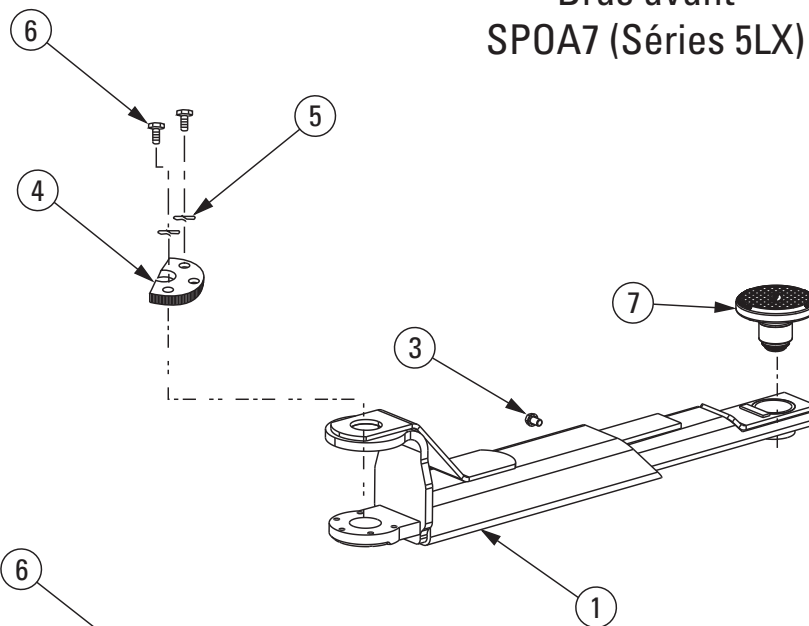
5.	Rondelles à ressort de 3/8" (pour élévateur avec barre d'appui taraudée)	40818
	6.	HHCS Grade 5, 3/8" - 16NC x 1-1/2"
7.	Assemblage d'adaptateur de bras à 3 étages	FJ6214
	Tampon en caoutchouc	FJ6158-4

# Détail de Bras SPOA7 Bras à profil bas

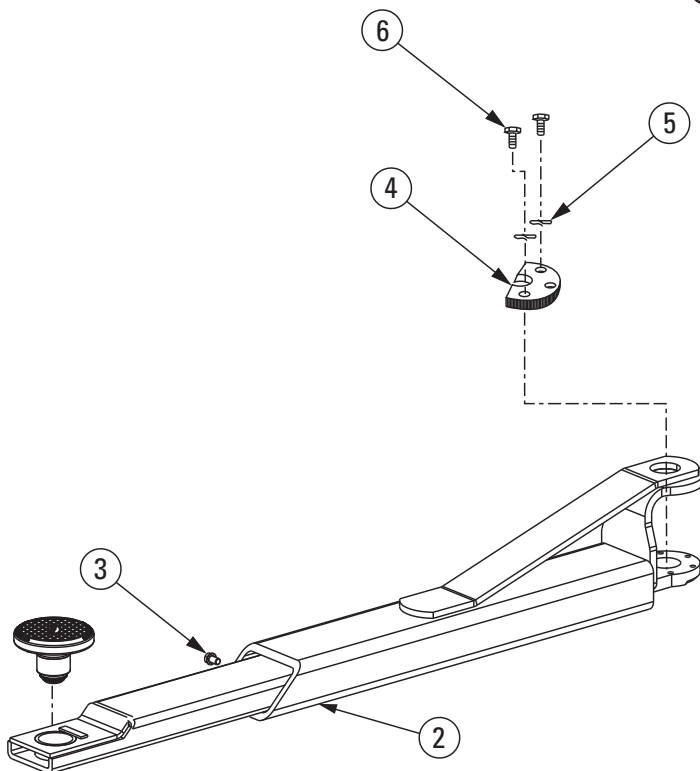
1.	Bras avant	
	SPOA10 (Séries 5TX)	*N2295
2.	Bras arrière	
	SPOA10 (Séries 5TX)	*N2294
3.	Assemblage de boulon d'arrêt	N219
4.	Dispositif de retenue de bras	N2122

5.	Rondelles à ressort de 3/8" (pour élévateur avec barre d'appui taraudée)	40818
6.	HHCS Grade 5, 3/8" -16NC x 1-1/2"	40201
7.	Assemblage d'adaptateur de bras à 3 étages	FJ6202
	Tampon en caoutchouc	FJ6202-3

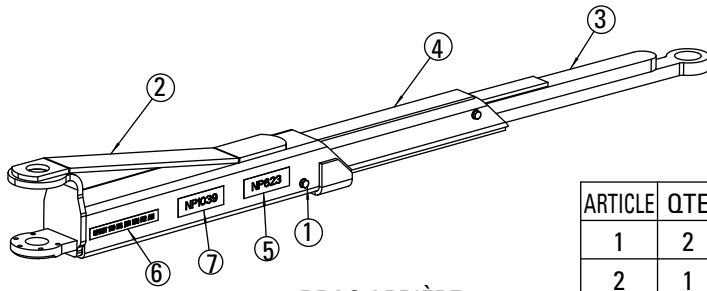
Bras avant  
SPOA7 (Séries 5LX)



Bras arrière  
SPOA7 (Séries 5LX)

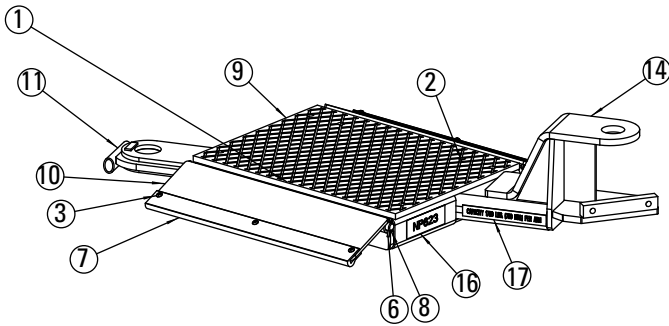


# Détail du bras SPOA7 Hybride

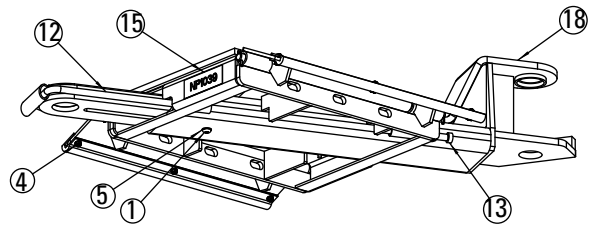


**BRAS ARRIÈRE**

ARTICLE	QTE	N° DE LA PIÈCE	DESCRIPTION
1	2	N219	ASSEMBLAGE DE BOULON D'ARRÊT
2	1	N2336-1	ASSEMBLAGE SOUDÉ DE BRAS EXTERNE EN 3 ÉTAPES 7K
3	1	N2336-2	ASSEMBLAGE SOUDÉ DE BRAS INTERNE EN 3 ÉTAPES 7K
4	1	N2336-3	ASSEMBLAGE SOUDÉ DE BRAS MEDIAN EN 3 ÉTAPES 7K
5	2	NP623	UTILISEZ TOUJOURS LES PLAQUE SIGNALÉTIQUE DES ADAPTATEURS
6	2	NP874	PLAQUE SIGNALÉTIQUE DE CAPACITYÉ
7	2	NP1039	UTILISEZ LES PLAQUES SIGNALÉTIQUE DES ADAPTATEURS DE CAMION



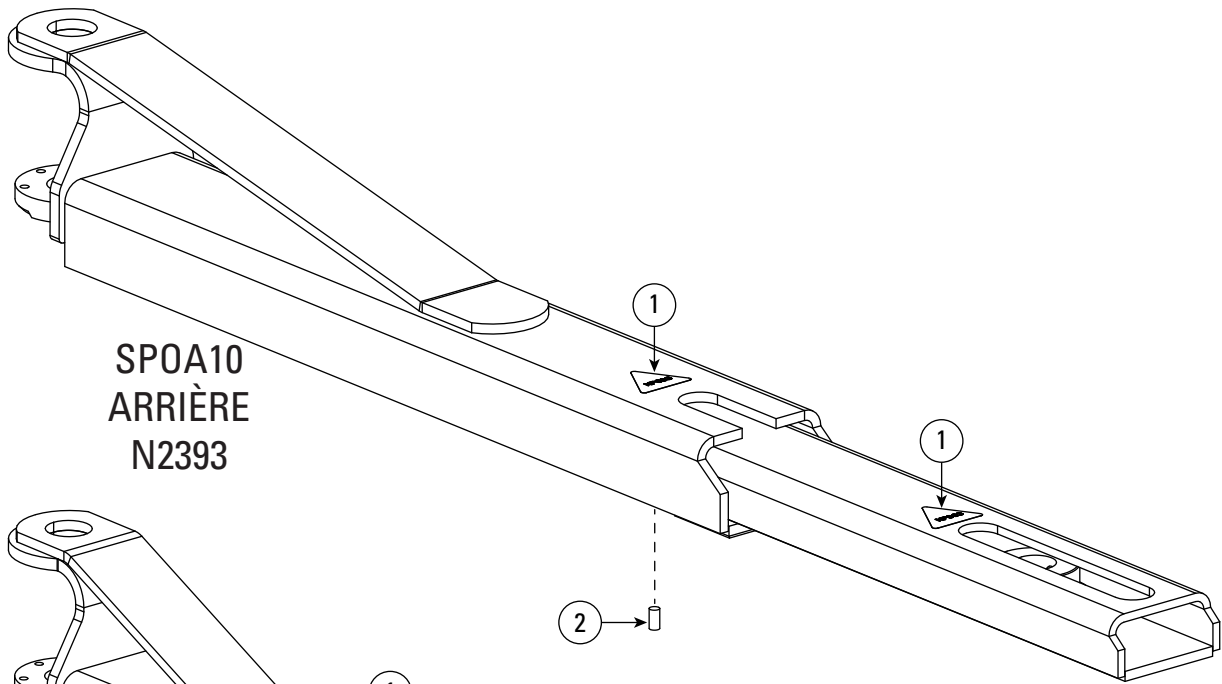
**TAMPON GAUCHE**



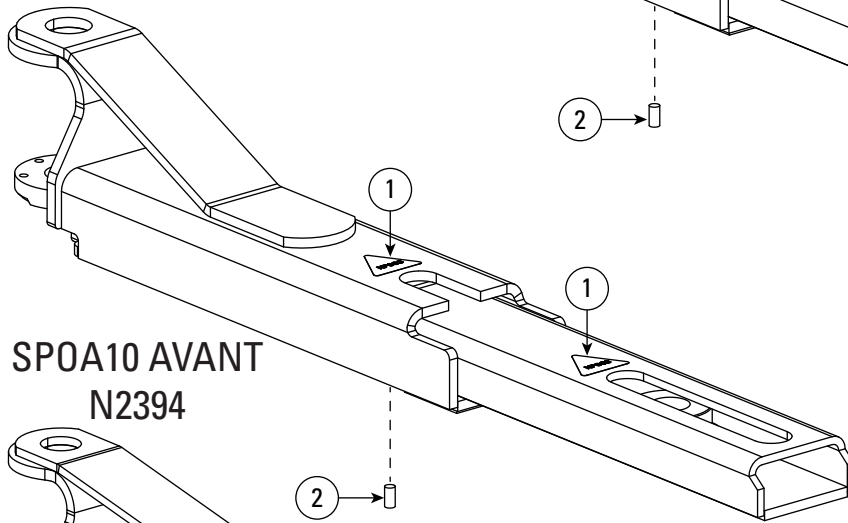
**TAMPON DROIT**

ARTICLE	QTE	N° DE LA PIÈCE	DESCRIPTION
1	1	40157	DOUILLE HEXAGONALE À BRIDE BHCS 3/8"-16NC x 3/4" La GRD2
2	4	40174	1/4 x .475 RIVET AVEUGLE McMASTER-CARR # 97517A651 ou ÉQUIVALENT.
3	6	40192	#10-24NC x 3/4 Lg. VIS À TÊTE BOMBÉE PHILLIPS, PLAQUÉE
4	6	40633	ÉCROU À BRIDE HEXAGONALE WZLOCK #10-24NC, PLAQUÉ
5	1	40843	RONDELLE DE FREIN À DENTS EXTERNES 3/8", PLAQUÉE
6	4	41202	GOUPILLE FENDUE 5/32" x 1" Lg
7	2	FC134-33	CALE DE RAMPE COULISSANTE
8	2	FC5179-5	GOUPILLE
9	1	FJ2494	COUSSINET AVANT EN CAOUTCHOUC
10	2	N2249	2 COUSSINETS DE POTEAU D'ASSEMBLAGE SOUDÉ DE RAMPE DE LEVAGE
11	1	N2338-6	COUSSINET AVANT DE L'ASSEMBLAGE SOUDÉ DE BRAS INTERNE
12	1	N2338-13	COUSSINET AVANT DE LA BARRE D'ACTIONNEUR DE BRAS
13	1	N2338-16	VIS A OREILLES DU BRAS INTERNE DE LA TIGE D'ACTIONNEUR
14	1	N2339-1	ASSEMBLAGE SOUDÉ DU COUSSINET AVANT GAUCHE
15	1	NP1039	UTILISEZ LA PLAQUE SIGNALÉTIQUE DE CAMION
16	1	NP623	PLAQUE SIGNALÉTIQUE D'ADAPTATEUR DE TAMPON EN CAOUTCHOUC
17	1	NP874	PLAQUE SIGNALÉTIQUE DE CAPACITÉ DE 1750 LBS
18	1	N2338	ASSEMBLAGE SOUDÉ DU COUSSINET AVANT DROIT

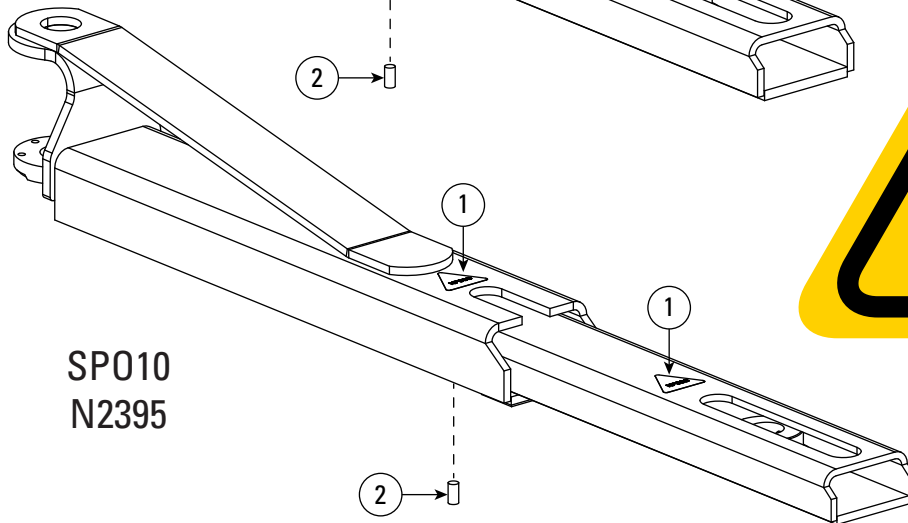
# Détails des bras de la série 800



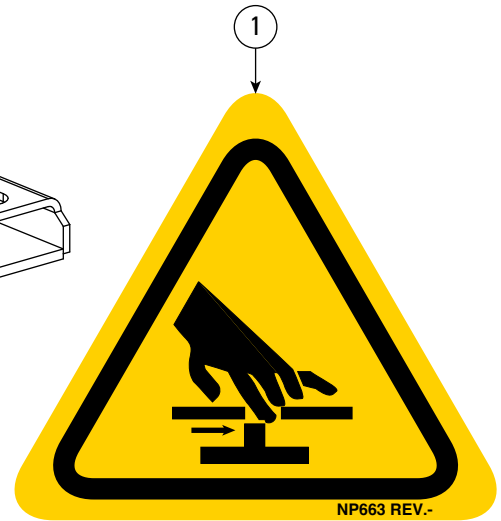
SPOA10  
ARRIÈRE  
N2393



SPOA10 AVANT  
N2394

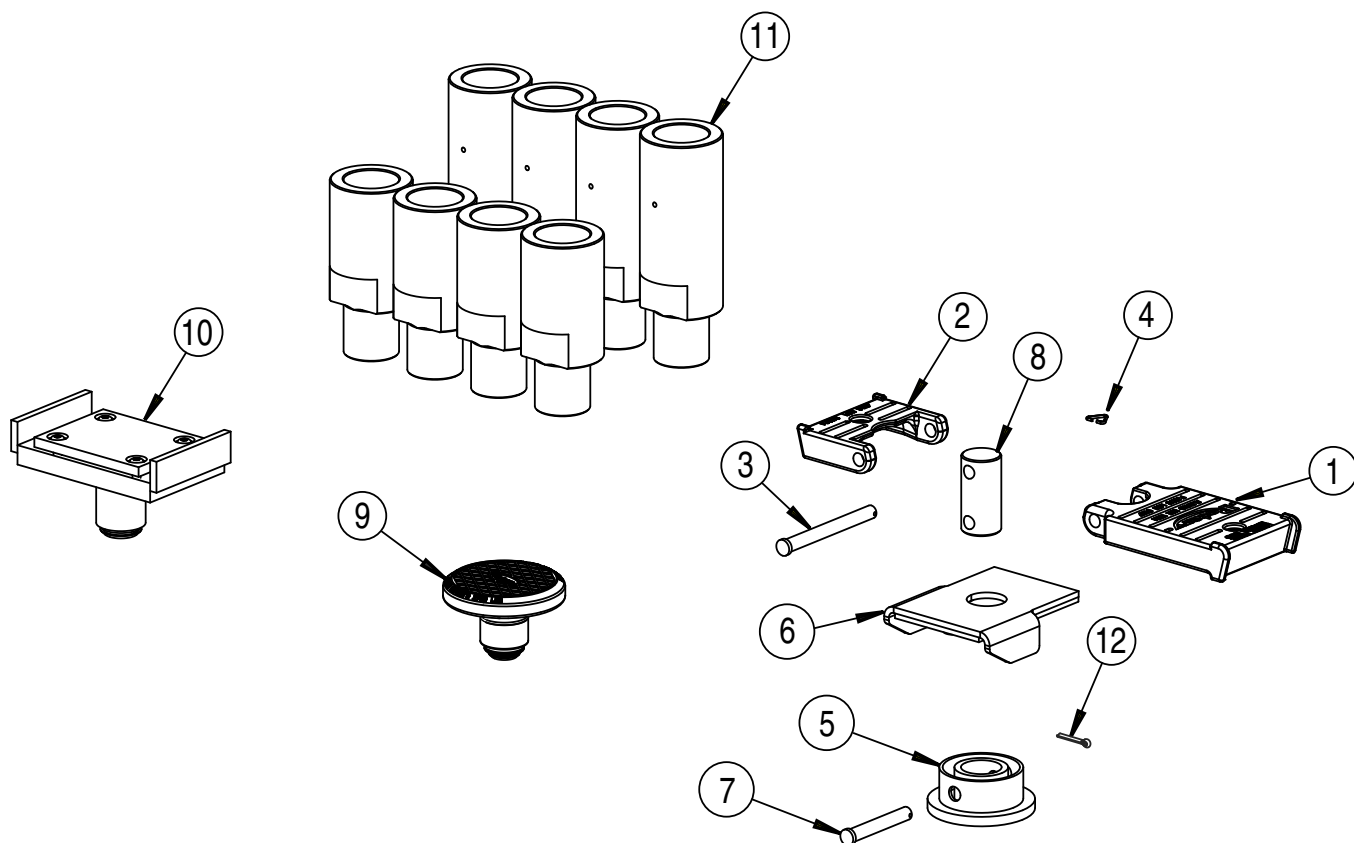


SP010  
N2395



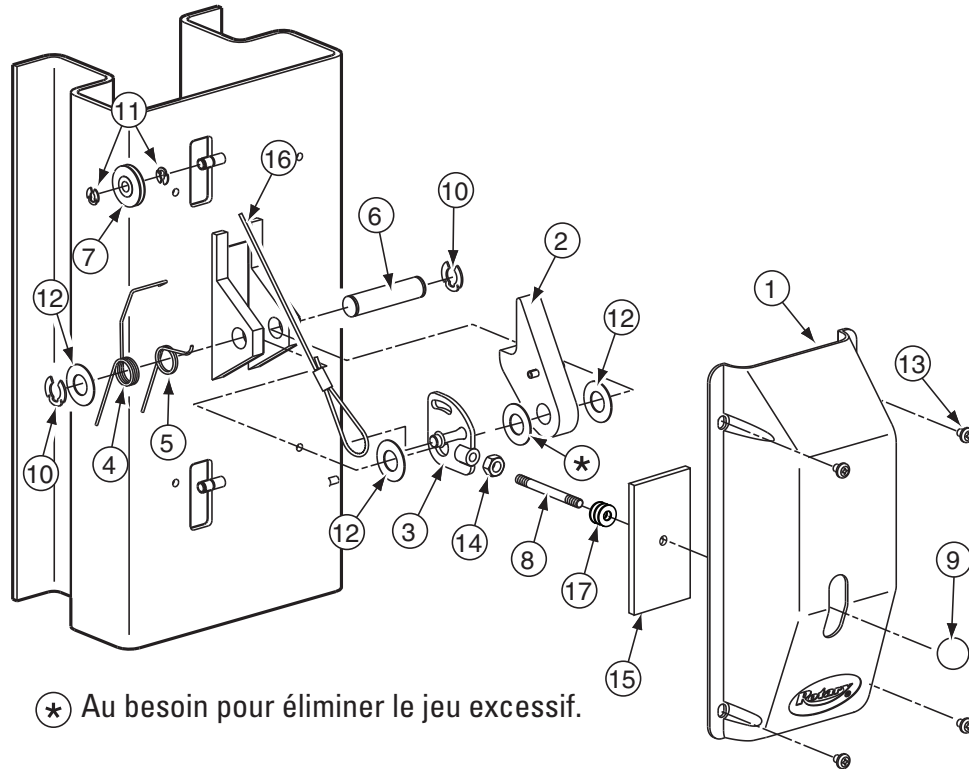
1.	Autocollant Pinch Point	NP663
2.	3/8-16 x 3/4" Vis De Réglage**	40319
	1/2-13 x 3/4" Vis De Réglage**	41746
**Numéro de pièce de la vis de réglage en fonction de la version spécifique		

## Détail des options de la série 800



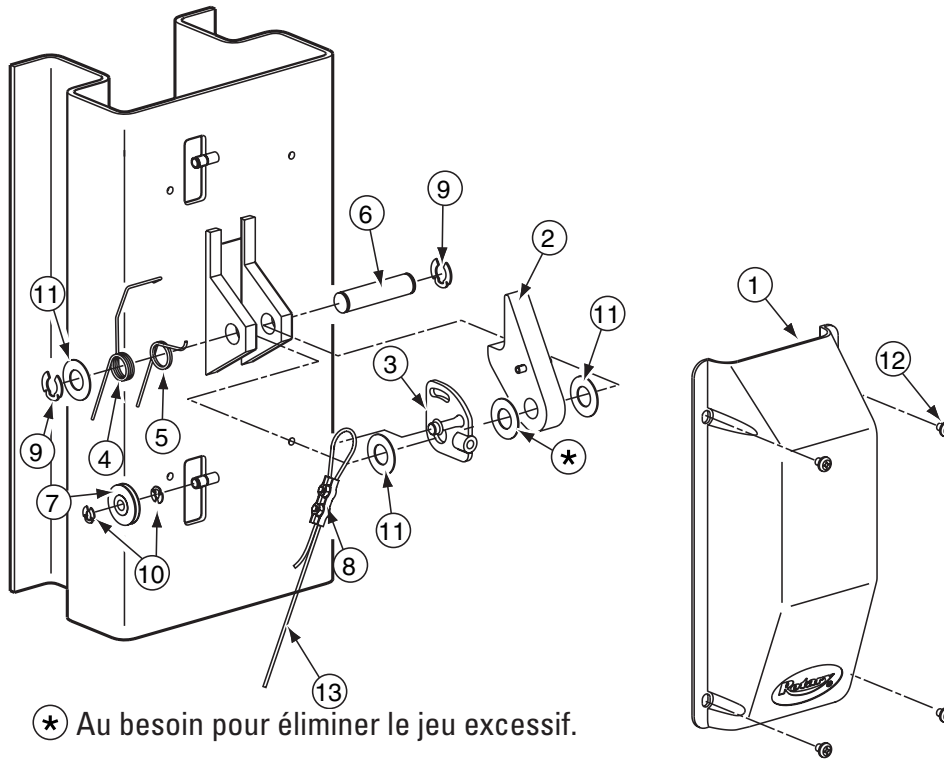
ARTICLE	DESCRIPTION	PIÈCE
1	Adaptateur haut-niveau	FJ6177
2	Adaptateur bas-niveau	FJ6178
3	Goupille d'adaptateur	FJ6179
4	3/32" Anneau ouvert pour Arbre de 1/2"	FJ671-6
5	Adaptateur auto freiné	T120309
6	Assemblage soudé de la plaque de charge	FJ6233
7	Goupille d'adapter auto freiné	T130669
8	Goupille pivotante	T130668
9	Adaptateur RA rond à profil bas	FJ6219
10	Adaptateur pour les camions	T110564
11	Trousse d'extension d'adaptateur (vendu séparément)	T100271
12	Goupille fendue 7/64" x 3/4"	41205

# Détail du Loquet de verrouillage (Colonne de droite)



ARTICLE	DESCRIPTION	PIÈCE#
1.	Couvert latérale du contrôle .....	FJ7452
2.	Loquet de verrouillage .....	N616
3.	Plaque de contrôle .....	FJ7594-2
4.	Ressort.....	FJ7566-10
5.	Ressort.....	FJ7382-9
6.	Arbre du loquet de verrouillage .....	FJ7382-34
7.	Loquet de verrouillage de poulie.....	FJ7322
8.	Poignée.....	FJ7382-18
9.	Poignée boule.....	FC134-91
10.	Truarc Klipring #5304-75 pour 3/4" Arbre.....	41411
11.	Truarc Klipring #5304-37 pour 3/8" Arbre.....	41410
12.	1-1/2" O.D. x 3/4" I.D. x .045" Mach. Bague .....	41388
13.	5/16"-18NC x 3/8" Lg. PHMS .....	40227
14.	3/8" - 16NC Écrou hexagonal de blocage.....	40658
15.	Couvercle de fente .....	N617
16.	Câble du loquet de Verrouillage .....	FJ7600
17.	3/8" Rondelle plate .....	40820

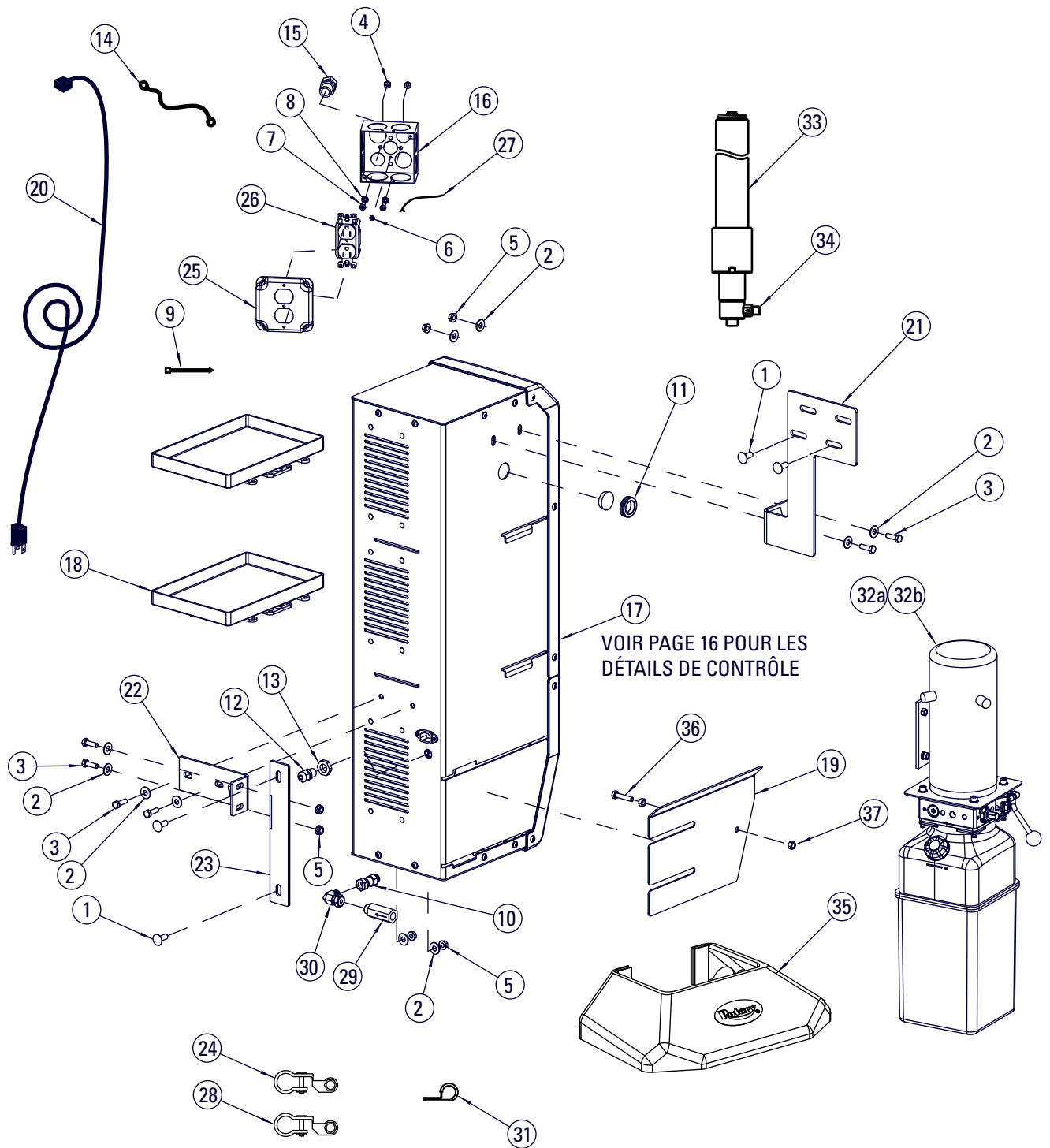
# Détail du Loquet de verrouillage (Colonne de gauche)



ARTICLE	DESCRIPTION	PIÈCE#
1.	Couvercle de loquet .....	FJ7451
2.	Loquet de verrouillage .....	N616
3.	Plaque de contrôle .....	FJ7594-2
4.	Ressort.....	FJ7566-10
5.	Ressort.....	FJ7382-9
6.	Arbre du loquet de verrouillage .....	FJ7382-34
7.	Loquet de verrouillage de poulie.....	FJ7322
8.	<a href="#">Serre-câble du câble de verrouillage .....</a>	<a href="#">N63-1</a>
9.	Truarc Klipring #5304-75 pour 3/4" Arbre.....	41411
10.	Truarc Klipring #5304-37 pour 3/8" Arbre.....	41410
11.	1-1/2" O.D. x 3/4" I.D. x .045" Mach. Bague. ....	41388
12.	5/16" -18NC x 3/8" Lg. PHMS.....	40227
13.	Câble du loquet de Verrouillage .....	FJ7600



# Détail du Shockwave

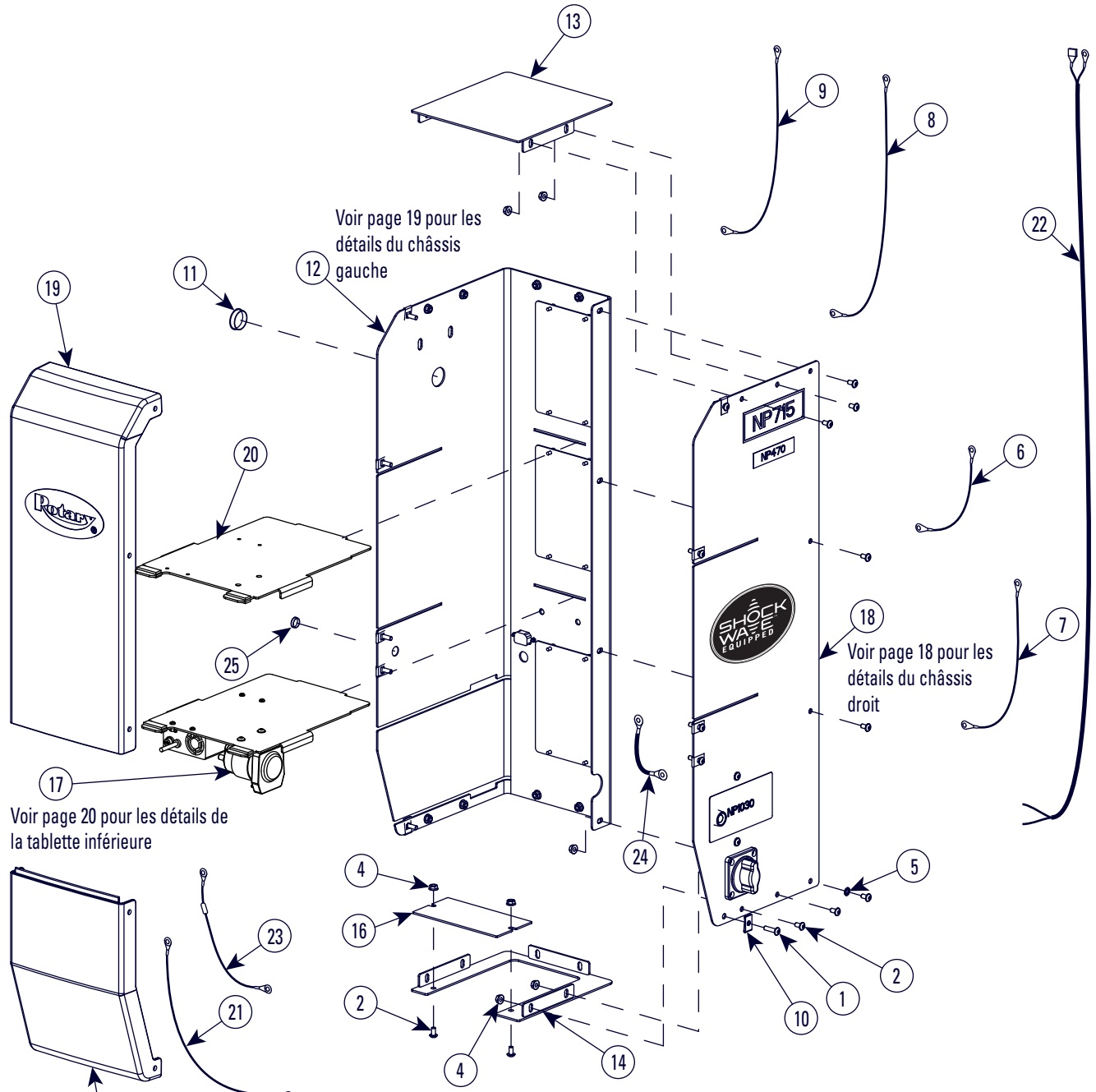


## MONTAGE DE CONTRÔLE DC

## Détail du Shockwave

ARTICLE	N° DE LA PIÈCE	DESCRIPTION
1	40167	3/8"-16NC x 1" Lg. CHASSIS BOULON, Gr. 5, PLAQUÉ
2	40217	5/16" USS RONDELLE PLATE PLAQUÉE
3	40221	HHCS 5/16"-18NC x 1" Lg, GRADE 5 PLAQUÉ
4	40650	ÉCROU HEXAGONALE #12-24NC, PLAQUÉ
5	40678	ÉCROU À BRIDE HEXAGONALE WZLOCK 5/16"-18NC, PLAQUÉ
6	FA997-1	#10-32 x 1/4" Lg. WHSFTS HEXAGONAUX, PLAQUÉS, DE COULEUR VERTES
7	41526	#12-24NC x 3/4" Lg. PHIL. PHMS, PLAQUÉ
8	41527	RONDELLE DE FREIN À DENTS EXTERNES, PLAQUÉE #12
9	629888	ATTACHE DE CÂBLE TY-RAP, NYLON, NOIR, 11 1
10	EFX60010319	ADAPTATEUR, FILET DROIT/ROTATIF (ORB/ORFS 6X6)
11	FA7180-31	PASSE-FIL
12	FA7189-14	BRIDE DE CORDON 3/8" NPT
13	FA7189-15	CONTRE-ÉCROU 3/8" NPT
14	FA7616	BATTERIE-CÂBLE DE LA BATTERIE
15	FA7958-28	BRIDE DE CORDON
16	FA997	BOITE DE JONCTION
17	FA966	MONTAGE DE CONTRÔLE DC
18	FA966-16	PLATEAU DE BATTERIE
19	FA966-47	BOUCLIER ANTI-ÉCLABOUSSURES À 2 POSTES DU CABINET DE BATTERIE
20	FA966-51	CORDON D'ALIMENTATION UNIVERSEL DE 10 PI (NEMA 5-15P À IEC320C13)
21	FA966-55	ASSEMBLAGE SOUDÉ DU SUPPORT DE MONTAGE SUPÉRIEUR DU CABINET DE BATTERIE
22	FA966-56	ASSEMBLAGE SOUDÉ DU SUPPORT DE MONTAGE DU CABINET DE BATTERIE
23	FA966-57	ASSEMBLAGE SOUDÉ DE LA COLONNE DE MONTAGE DU CABINET DE BATTERIE
24	FA979	FIN DE BORNE DE BATTERIE POSITIVE
25	FA980-1	COUVERCLE DE BOÎTE CARRÉE DE 4" DU RECEPTACLE DUPLEX
26	FA980-2	RÉCEPTACLE FEMELLE DUPLEX
27	FA980-3	FIL DE GARDE
28	FA981	FIN DE BORNE DE BATTERIE NÉGATIVE
29	FJ71003	RÉGULATEUR DE DÉBIT
30	FJ71007	COUDE PIVOTANT MÂLE ORFS x FEMELLES ORFS
31	FJ7669	COLLIER DE SERRAGE DU TUYAU DE COLONNE
32a.	P3577	UNITÉ DE PUISSANCE DC - TAMPON DE L'ÉLÉVATEUR
32b	P3579	UNITÉ DE PUISSANCE DC - BRAS DE L'ÉLÉVATEUR
32c	P3586	UNITÉ DE PUISSANCE DC - SPO12
33	N3151Y	VÉRIN HYDRAULIQUE
34	FJ7352-3	ADAPTATEUR
35	N539	COUVERCLE DE PLAQUE DE BASE (POUR LES MODÈLES SPOA10 ET SPO10 SEULEMENT)
36	40271	HHCS ENTIÈREMENT FILETÉ 5/16"-18NC x 1-1/2"
37	40670	ÉCROU HEXAGONAL 5/16"-18NC

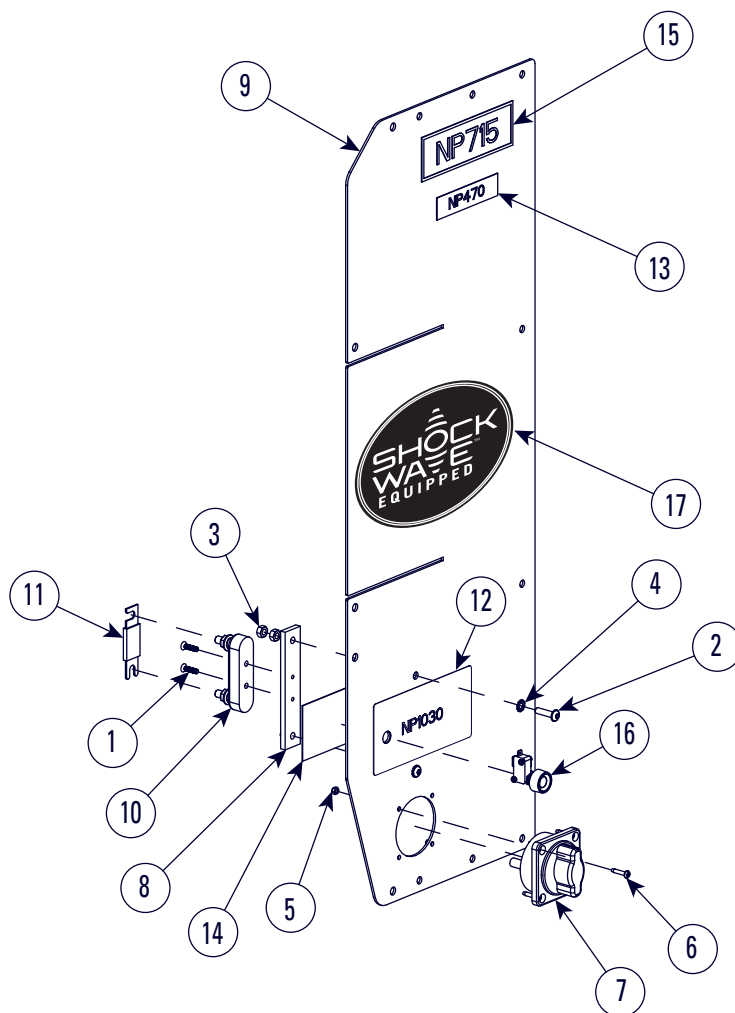
# Détail du Shockwave



## Détail du Shockwave

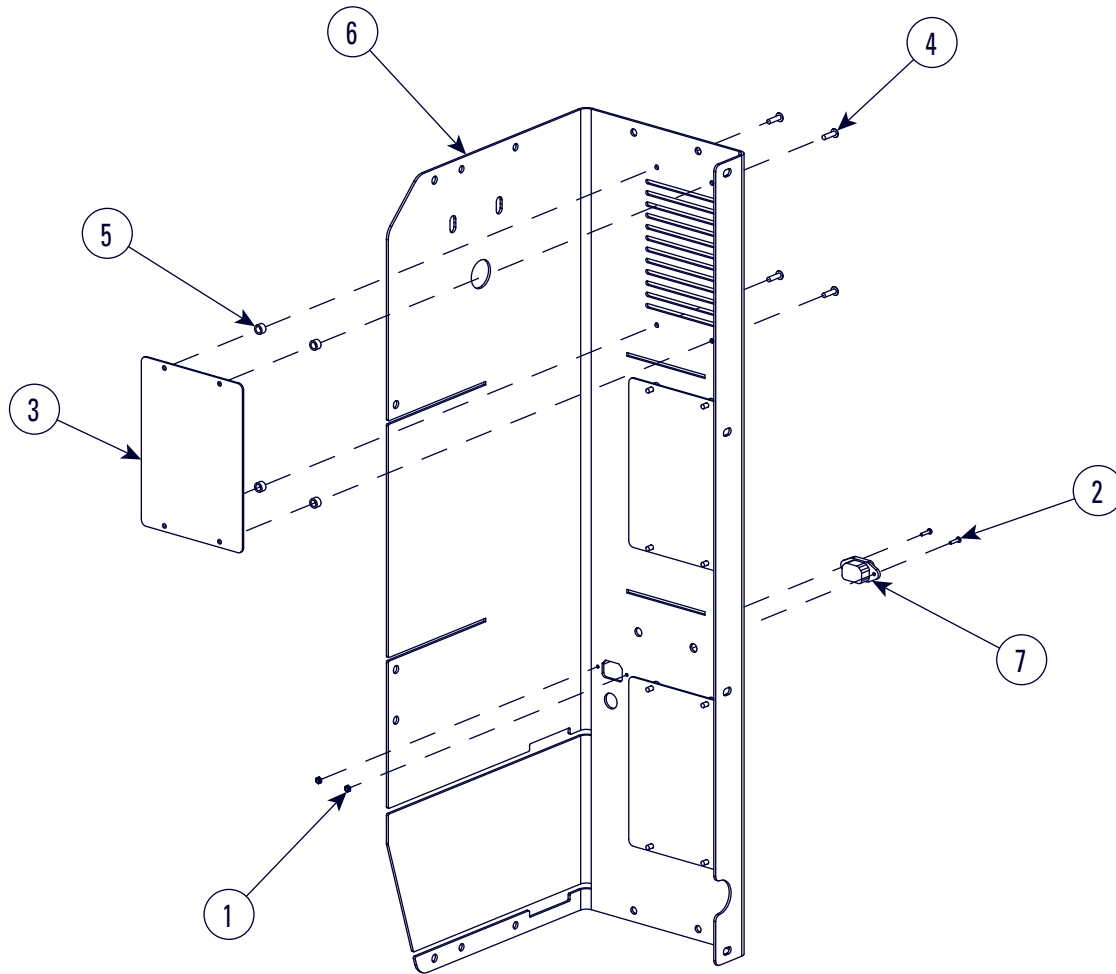
CONTRÔLE DC		
ARTICLE	N° DE LA PIÈCE	DESCRIPTION
1	40077	DOUILLE HEXAGONALE À BRIDE BHCS 1/4"-20NC x 1" Lg, GRADE 2
2	40094	DOUILLE HEXAGONALE À BRIDE BHCS 1/4"-20NC x 1/2"
3	NA	NA
4	40641	ÉCROU À BRIDE HEXAGONALE WZLOCK 1/4"-20NC, PLAQUÉ
5	40779	RONDELLE DE FREIN À DENTS EXTERNES 1/4"
6	FA7618	FUSIBLE DE DÉCONNECTION - CÂBLE
7	FA7619	FUSIBLE - CONTACTEUR DE CÂBLE
8	FA7667	CÂBLE - DÉCONNEXION DE BATTERIE
9	FA7668	BATTERIE-CÂBLE DU MOTEUR
10	FA966-22	ÉCROU À PINCE
11	FA966-34	1-1/4" BOUCHON
12	FA966-37	ASSEMBLAGE DU CHASSIS DE GAUCHE DU CABINET DE BATTERIE
13	FA966-39	ENSEMBLE SOUDÉ DU COUVERCLE SUPÉRIEUR DU CABINET DE BATTERIE
14	FA966-42	ENSEMBLE SOUDÉ DU COUVERCLE INFÉRIEUR DU CABINET DE BATTERIE
15	FA966-45	COUVERCLE DU BAS AVANT DU CABINET DE BATTERIE
16	FA966-46	PETIT COUVERCLE DU BAS DU CABINET DE BATTERIE
17	FA966-48	ASSEMBLAGE DE L'ÉTAGÈRE INFÉRIÈRE DU CABINET DE BATTERIE
18	FA986-1	ASSEMBLAGE DU CHASSIS DE DROITE DU CABINET DE BATTERIE
19	FA966-50	ASSEMBLAGE DU COUVERCLE D'EN HAUT AVANT DU CABINET DE BATTERIE
20	FA966-58	SOUDURE D'ÉTAGÈRE DU CABINET DE BATTERIE
21	FA970	HARNAIS DE CONTACTEURS
22	FA971	HARNAIS DE LA SUSPENSION
23	FA978	HARNAIS DE DÉCONNECTION
24	FA982	FIL DE GARDE
25	FA966-60	BOUCHON DE TROU TRANSPARENT

# Détail du Shockwave



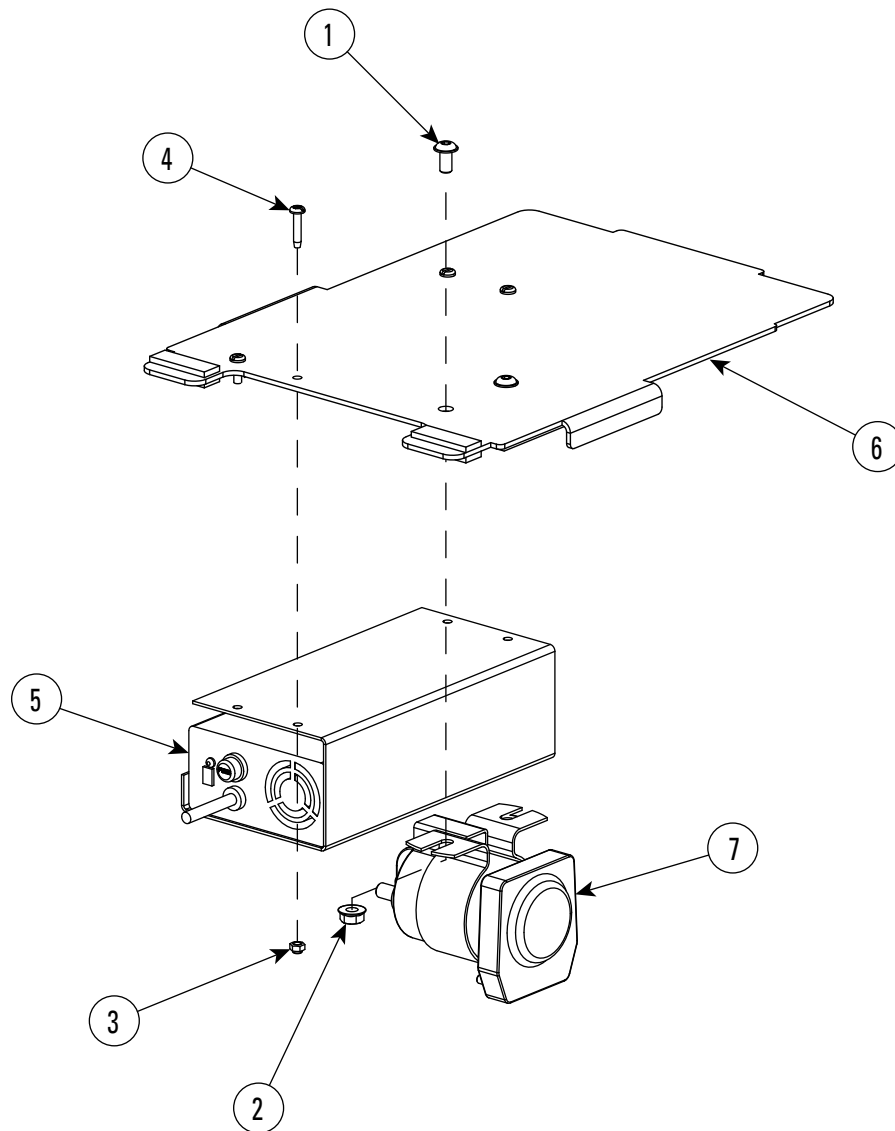
ENSEMBLE CHASSIS DE DROITE		
ARTICLE	N° DE LA PIÈCE	DESCRIPTION
1	40004	#10-24 x 5/8 PFHMS, McMASTER-CARR # 90471A315 ou EQUIVALENT
2	40077	DOUILLE HEXAGONALE À BRIDE BHCS 1/4"-20NC x 1" Lg, GRADE 2
3	40627	ECROU HEX 1/4"-20NC, PLAQUÉ
4	40779	RONDELLE DE FREIN À DENTS EXTERNES 1/4"
5	450957	CONTRE-ÉCROUS EN NYLON #8-32NC
6	40022	#8-32NC X 1/2" Lg PHMS
7	FA7958-4	INTERRUPTEUR DE DÉCONNEXION DC
8	FA966-8	SUPPORT DE MONTAGE DU PORTE-FUSIBLE
9	FA986-10	CHASSIS DE DROITE DU CABINET DE BATTERIE
10	FA975	PORTE-FUSIBLE
11	FA975-1	FUSIBLE DE 350 AMPÈRES
12	NP1030	PLAQUE SIGNALÉTIQUE DU BOUTON POUSSOIR
13	NP470	ÉTIQUETTE D'AVERTISSEMENT DE LOCALISATION DU MOTEUR
14	NP692	PLAQUE SIGNALÉTIQUE
	NP1066	PLAQUE SIGNALÉTIQUE
15	NP715	PLAQUE SIGNALÉTIQUE
16	<a href="#">P1483</a>	<a href="#">ASSEMBLAGE DE L'INTERRUPTEUR DE LIMITE</a>
17	NP1067	DÉCALQUE SHOCKWAVE

# Détail du Shockwave



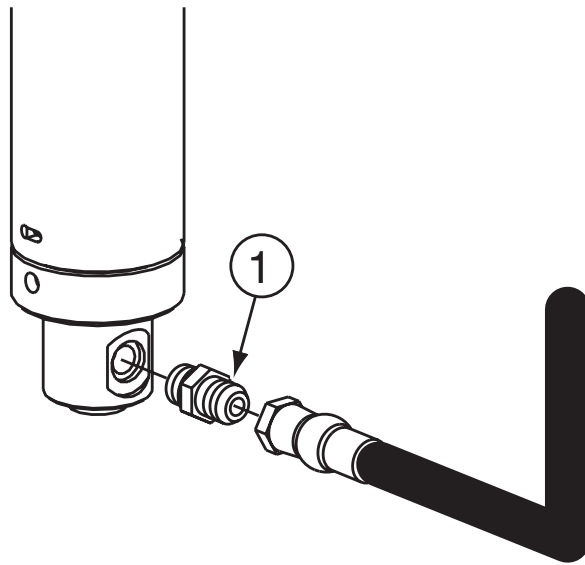
ASSEMBLAGE DU CHASSIS DE GAUCHE		
ARTICLE	N° DE LA PIÈCE	DESCRIPTION
1	41628	#4-40 CONTRE-ÉCROU AUTO FREINÉ EN NYLON MMC #90633A005
2	796443	#4-40 x 1/2 Lg. PHMS, PLAQUÉ
3	FA966-17	BOUCLIER ANTI-ÉCLABOUSSURES
4	FA966-18	RIVET DE TÊTE DE DÔME
5	FA966-21	ENTRETOISE
6	FA966-52	FORMATION DU CHASSIS DE GAUCHE DU CABINET DE BATTERIE
7	FA983	CORDON D'ALIMENTATION INTERNE DU CHARGEUR

# Détail du Shockwave



ASSEMBLAGE DE L'ÉTAGÈRE INFÉRIEURE		
ARTICLE	N° DE LA PIÈCE	DESCRIPTION
1	40094	DOUILLE HEXAGONALE À BRIDE BHCS 1/4"-20NC x 1/2"
2	40641	ÉCROU À BRIDE HEXAGONALE WZLOCK 1/4"-20NC, PLAQUÉ
3	450957	CONTRE-ÉCROU EN NYLON #8-32NC
4	40022	#8-32NC x 1/2" LG. PHMS
5	FA966-62	ENSEMBLE CHARGEUR 24V 8A
6	FA966-58	SOUDURE D'ÉTAGÈRE DU CABINET DE BATTERIE
7	<a href="#">FA976</a>	<a href="#">CONTACTEUR DC</a>

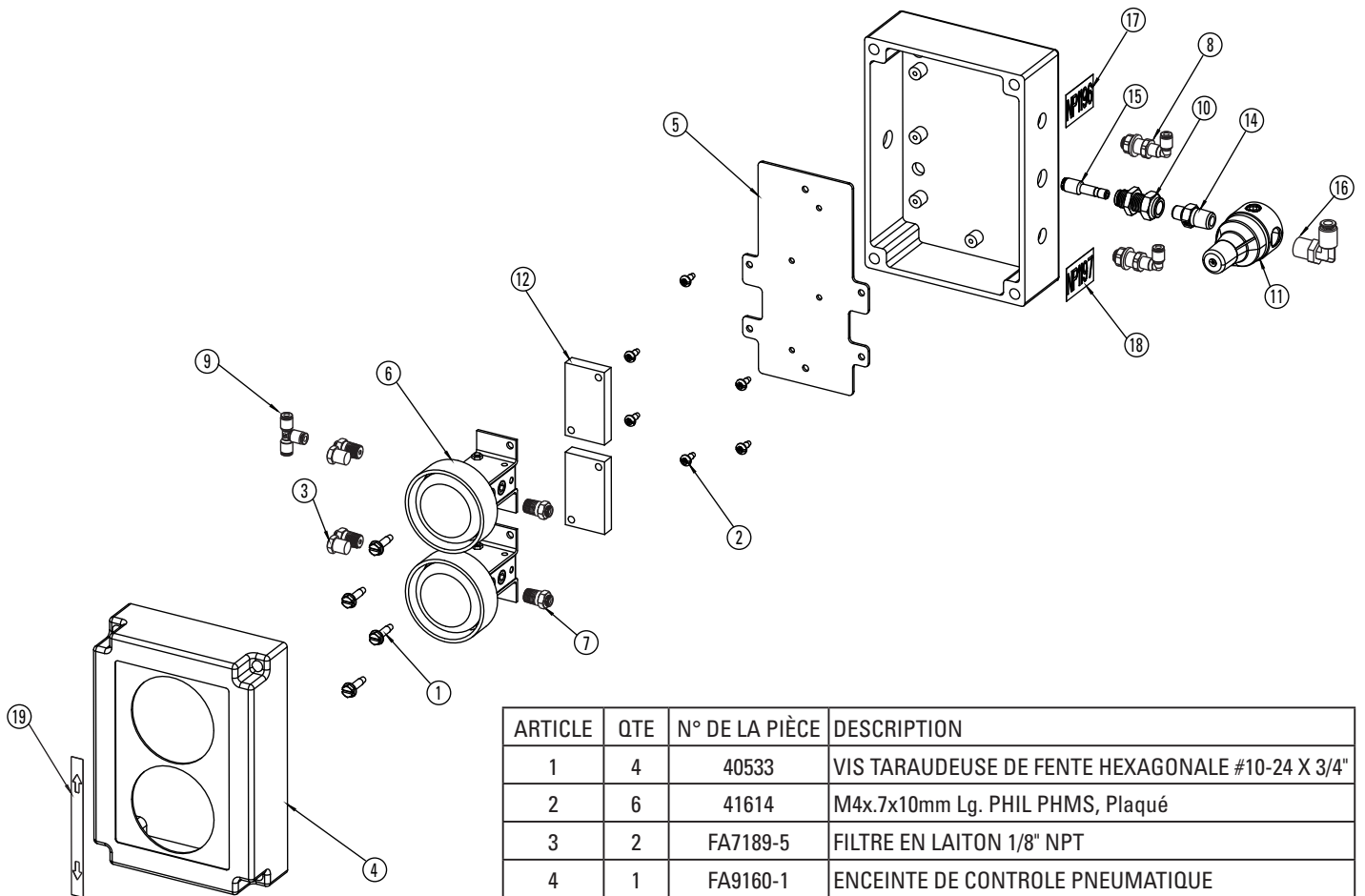
## Détail de l'adaptateur du tuyau du cylindre



ARTICLE DESCRIPTION	PIÈCE#
1. Adaptateur droit.....	FJ7352-3



# Panneau de commande pneumatique



ARTICLE	QTE	N° DE LA PIÈCE	DESCRIPTION
1	4	40533	VIS TARAUEUSE DE FENTE HEXAGONALE #10-24 X 3/4"
2	6	41614	M4x.7x10mm Lg. PHIL PHMS, Plaqué
3	2	FA7189-5	FILTRE EN LAITON 1/8" NPT
4	1	FA9160-1	ENCEINTE DE CONTROLE PNEUMATIQUE
5	1	FA9160-2	PLAQUE ARRIÈRE DE LA COMMANDE PNEUMATIQUE
6	2	FA9160-3	ACTIONNEUR PNEUMATIQUE À TOUCHE LÉGÈRE
7	4	FC67-97	RACCORD DROIT 5/32" TUBE À 1/8" NPTF (MÂLE)
8	2	FA9160-14	COUDE PIVOTANT POUR RACCORD DE PLAFOND INCLINÉ POUR TUBE DE 5/32"
9	1	450932	RACCORD EN T POUR POUSSE-VERROU DE 5/32"
10	1	FA7189-4	ADAPTEUR TRAVERSANT LA PAROI CLOISON 1/8" NPTF (F) À UN TUBE DE 1/4"
11	1	FA9160-9	RÉGULATEUR DE PRESSION NON AJUSTABLE (40 PSI)
12	2	FA9160-10	ENTRETOISE
13	1	FA9160-15	5/32" O.D. TUBE D'AIR
14	1	FA9160-12	RACCORD HEXAGONAL 1/8" NPTF(M) À 1/4" NPTF(M)
15	1	FA793-6	RÉDUCTEUR D'EXTRÉMITÉ DE TUBE DE 1/4" À 5/32"
16	1	FC5341-90	RACCORDEMENT COUDÉ MÂLE
17	1	NP1196	PLAQUE SIGNALÉTIQUE DE SORTIE D'AIR (MONTANT)
18	1	NP1197	PLAQUE SIGNALÉTIQUE DE SORTIE D'AIR (DESCENDANT)
19	1	NP1200	PLAQUE SIGNALÉTIQUE DES FLÈCHES DIRECTIONNELLES

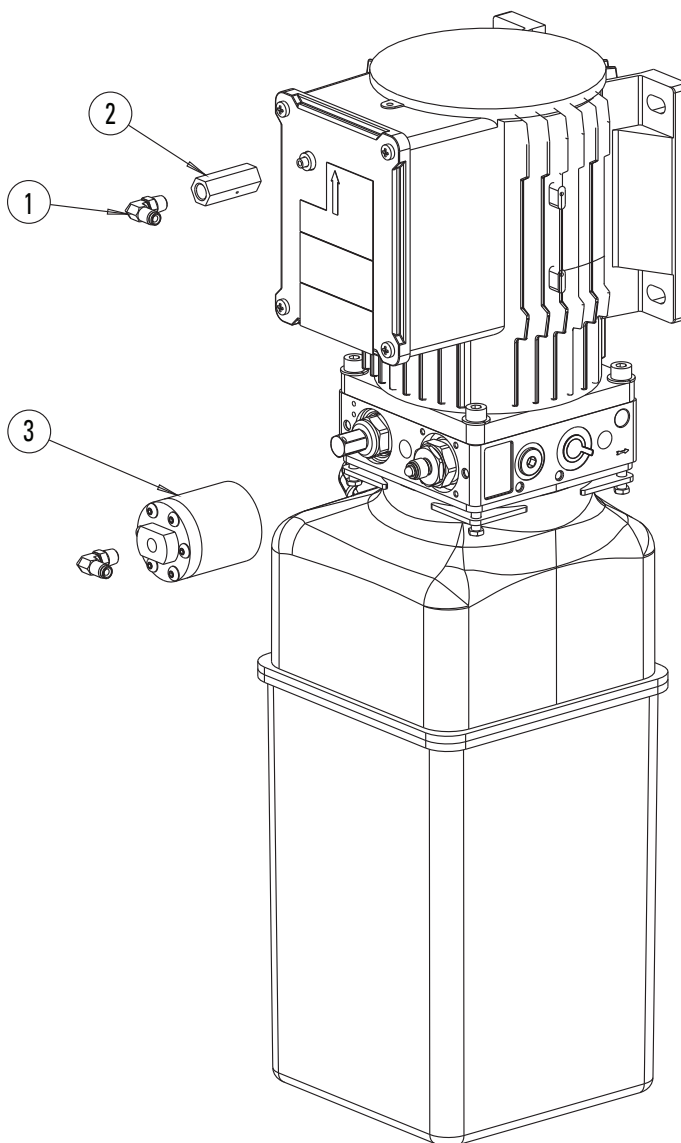
Remarque : FA9160-15 pas montré

# Unité de puissance à utiliser avec le panneau de commande pneumatique

Modèle 60 Hz - P3666

Modèle 50 Hz - P3667

**Remarque :** P3666 et P3667 sont identiques à la norme d'unité de puissance monophasée, sauf pour l'ajout de T140245 et FA9161.



ARTICLE	QTE	N° DE LA PIÈCE	DESCRIPTION
1	2	FA793-3	COUDE PIVOTANT 1/8" NPTF (MÂLE) À UN TUBE 5/32"
23	1	FA9161	INTERRUPTEUR D'AIR À ÉLECTRIQUE
	1	T140245	ACTIONNEUR PNEUMATIQUE

## Remarques

**Rotary World Headquarters**

2700 Lanier Drive  
Madison, IN 47250, USA  
[www.rotarylif.com](http://www.rotarylif.com)

**North America Contact Information**

Tech. Support:  
p 800.445.5438  
f 800.578.5438  
e [userlink@rotarylif.com](mailto:userlink@rotarylif.com)  
Sales:  
p 800.640.5438  
f 800.578.5438  
e [userlink@rotarylif.com](mailto:userlink@rotarylif.com)

**World Wide Contact Information**

World Headquarters/USA: 1.812.273.1622  
Canada: 1.905.812.9920  
European Headquarters/Germany: +49.771.9233.0  
United Kingdom: +44.178.747.7711  
Australasia: +60.3.7660.0285  
Latin America / Caribbean: +54.3488.431.608  
Middle East / Northern Africa: +49.771.9233.0

**© Vehicle Service Group<sup>SM</sup>**

Imprimé aux É.U., Tous droits réservés. À moins d'indications contraires, ROTARY, et toutes les autres marques sont la propriété de Dover Corporation et de ses filiales.

