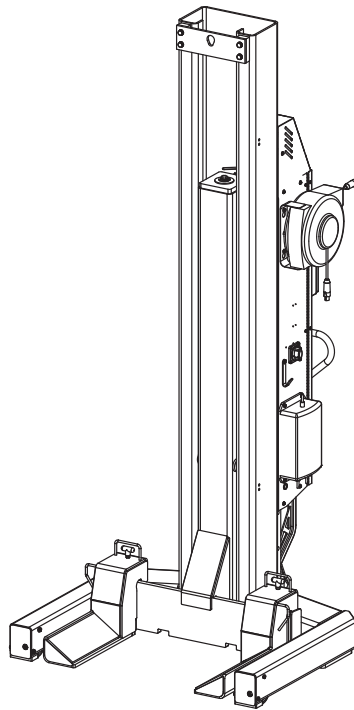




MCH418/MCH618

Four Post/Six Post Mobile Column Lift
24V DC Powered

MCH418 Capacity 72,000 lbs.
MCH618 Capacity 108,000 lbs.
18,000 lbs. per column



P
A
R
T
S

B
R
E
A
K
D
O
W
N

IMPORTANT: When ordering parts or requesting service always give exact model and power unit serial number. Model number is shown on nameplate attached to air lock release valve. Power unit serial number is located on side of power unit.

OWNERS RECORD
Complete information at right and keep in a safe place.

Date Installed _____
 Installed in Bay # _____
 Power Unit Serial # _____
 Power Unit Model # _____
 Lift Serial # _____
 Lift Model # _____

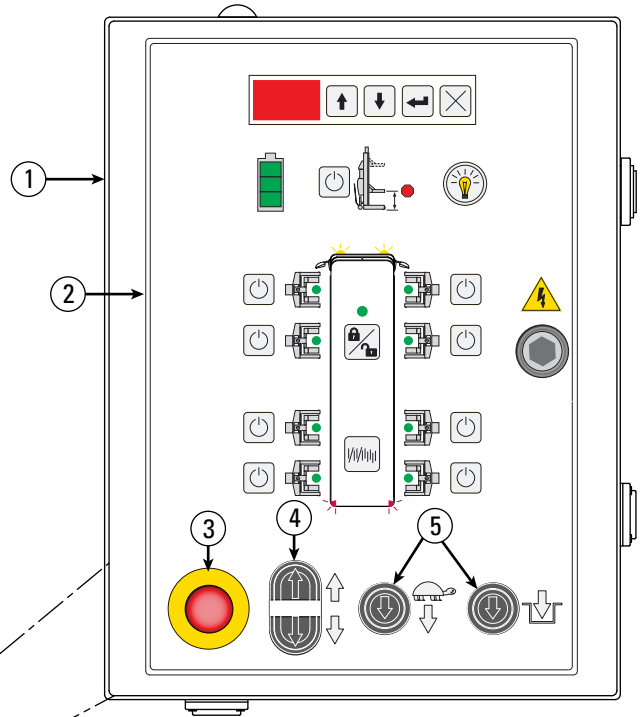
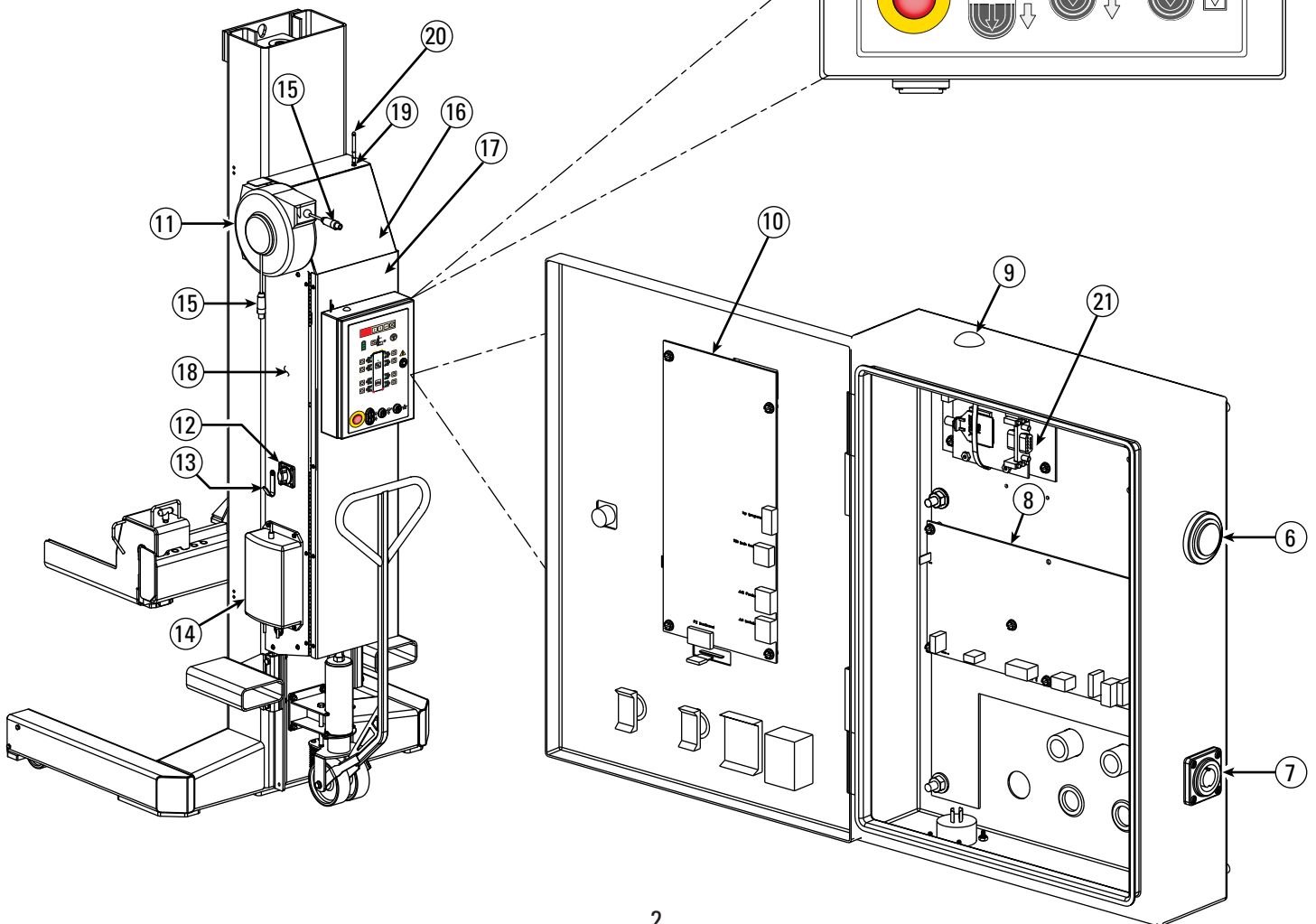
NOTE: For replacement parts -See your nearest Rotary Parts Distributor.



PB22-3-1-2
Rev. P 2/17/2016

Item	Description	Part No.	
1	Control Panel Assembly	FA7958	
2	Membrane Touchpad	FA7964	
3	E-Stop Actuator	FA7962	
4	Dual Push Button "Moeller"	FA7958-22	
	Dual Push Button "Sprecher + Schuh"	Z150047	
	Switch N.O. "Moeller"	M130091	
	Switch N.O. "Sprecher + Schuh"	EXF0509121006	
5	Single Push Button "Moeller"	FA7968	
	Single Push Button "Sprecher + Schuh"	M130152	
	Switch N.O. "Moeller"	M130091	
	Switch N.O. "Sprecher + Schuh"	EXF0509121006	
6	Audible Single Device	FA7974	
7	Communications Connection Port	FA7958-17	
8	Control Board	FA7965	
9	1/2" Hole Plug	FA7958-9	
10	UI Board	FA7963	
11	Cord Reel Assembly	FA7958-21	
12	DC Disconnect Switch	FA7958-4	
13	Cord Hook	M120189	
14	24V Charger	110V Input	FA7958-51
		110V Input MK220D	FA7958-11
		230V Input	FA7958-43
15	Communication Connector	FA7958-19	
16	Upper Cover Weldment	M120152	
17	Cover Weldment	M120163	
18	Side Panel Weldment	M120157	
19	RP SMA Jack Bulkhead	M130072	

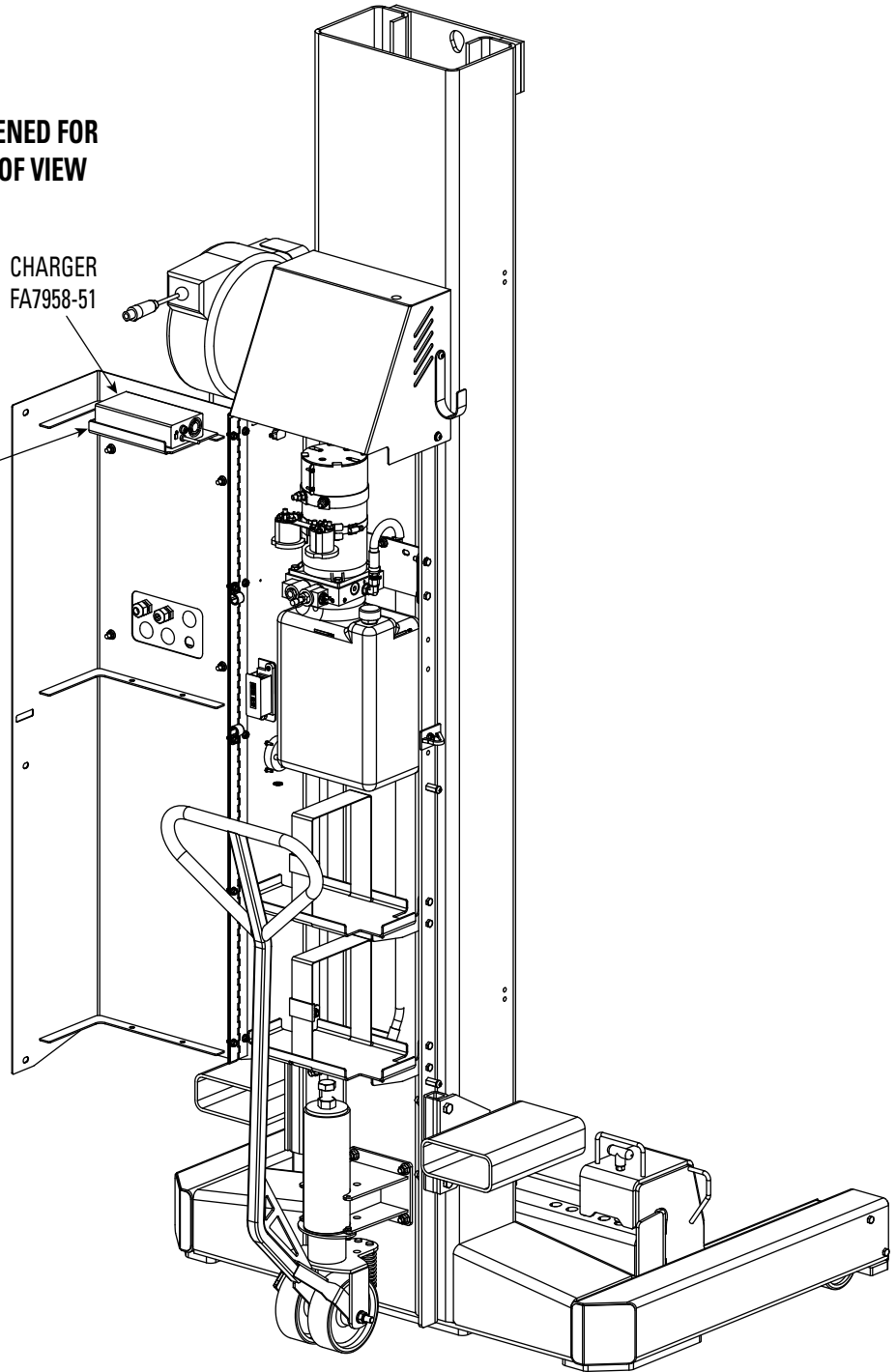
20	RF Antenna	M130074
21	Modem Assembly	M140032



**DOOR OPENED FOR
CLARITY OF VIEW**

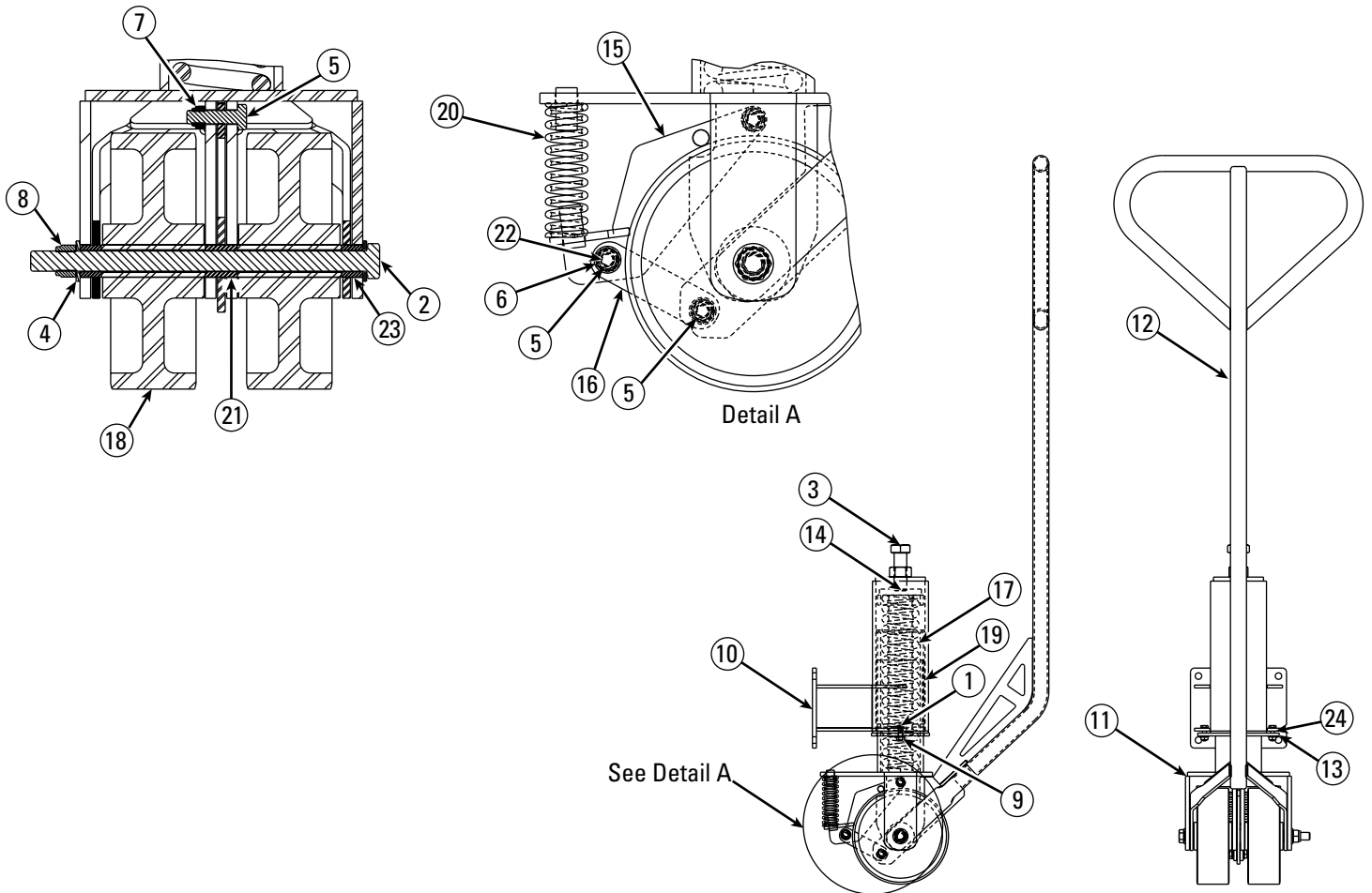
CHARGER
FA7958-51

CHARGER BRACKET
M120491

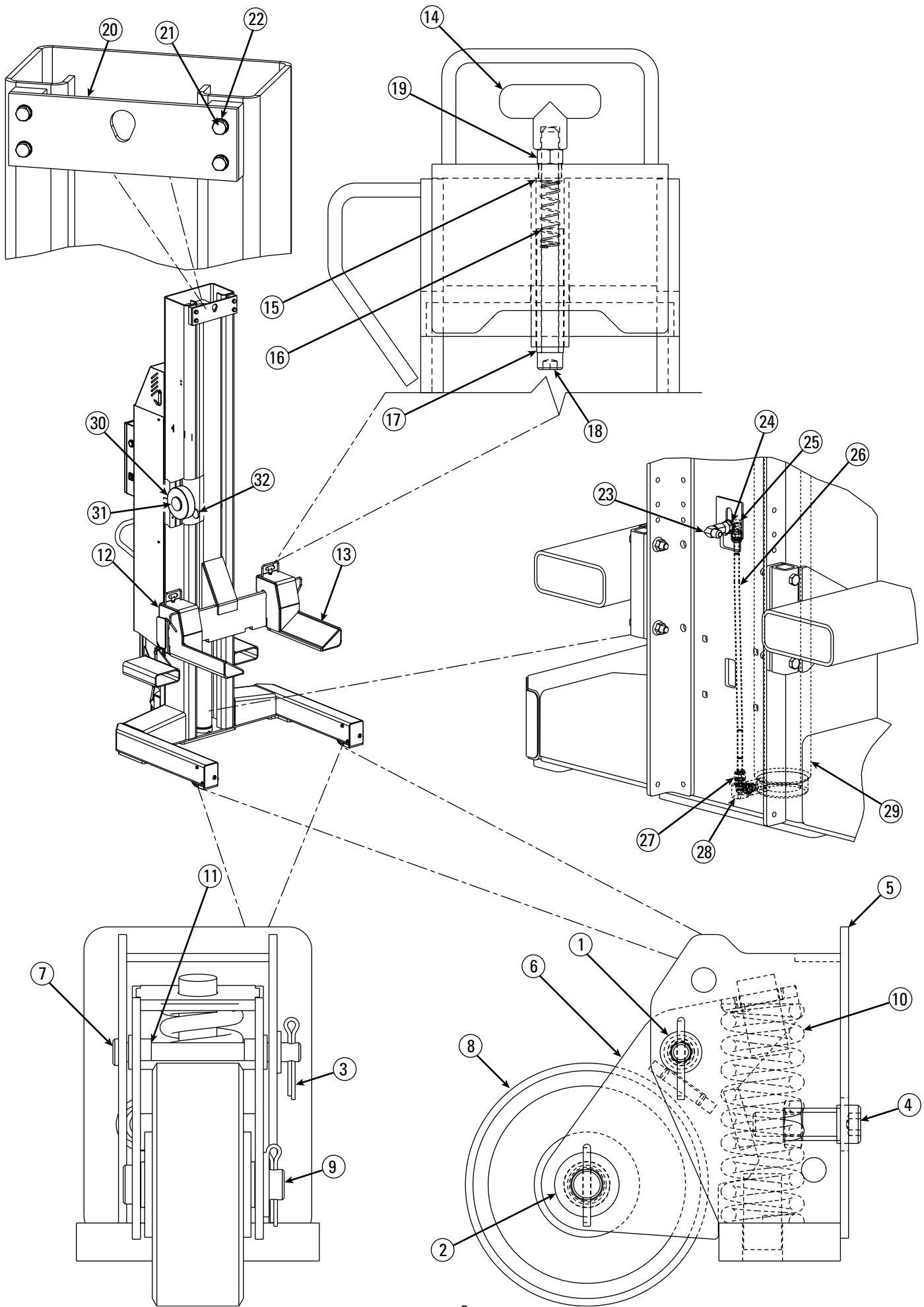


Item	Description	Part No.
1	M6 x 1.0 x 20mm Lg. HHCS, PLTD	41413
2	M12 x 1.75 x 200mm Lg. HHCS Grade 8.8, PLTD	41483
3	M20 x 2.5 x 60mm HHCS Full Thread Grade 8.8, PLTD	M130129
4	M12 Flat Washer	41520
5	M8 x 125 x 30mm Lg. HHCS	41539
6	M8 Flat Washer	41548
7	M8 x 125 Hex Nylon Insert Locknut	41563
8	M12 x 1.75 Hex Nylon Insert Lock Nut PLTD	41568
9	M6 x 1.0 Hex FLGD WZLock Nut	41618
10	Caster Mounting Weldment	M120049

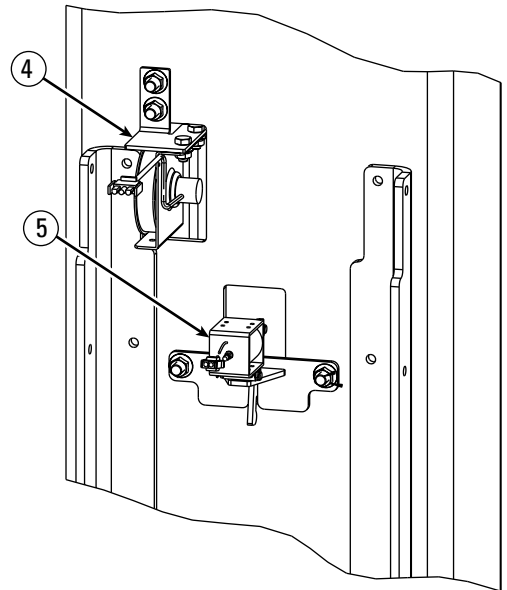
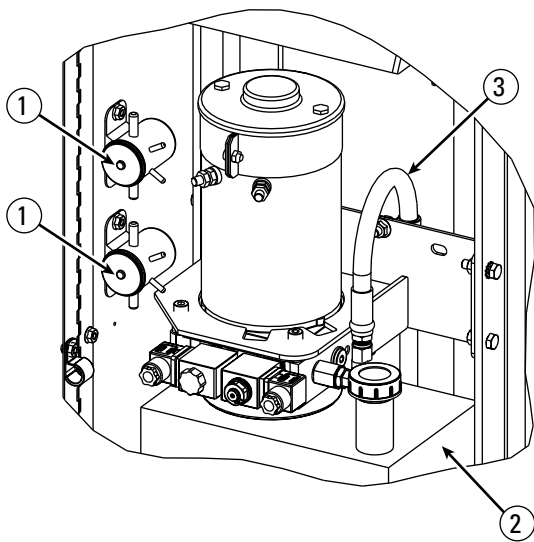
11	Caster Clevis Weldment	M120052
12	Handle Weldment	M120058
13	Caster Retainer Plate	M120075
14	Spring Cap Weldment	M120077
15	Brake Weldment	M120080
16	Link Arm	M120084
17	Caster Spring	M130010
18	Caster Wheel	M130011
19	UHMW Bearing Sheet	M130019
20	Brake Spring	M130020
21	Center Handle Bearing	M130021
22	Linkage Bearing	M130022
23	Outer Handle Bearing	M130026
24	Flange Bearing	M130027



Item	Description	Part No.
1	5/16" SAE Flat Washer, PLTD	40856
2	1/2" SAE Flat Washer	40920
3	1/8" x 1" Lg. Cotter Pin	41200
4	M10 x 1.5 x 35mm Nylon Locking SOC. HD. CS., PLTD	41512
5	Base Weldment	M120138
6	Wheel Bracket Weld	M120144
7	Pivot Shaft	M120148
8	Leg Wheel	M120149
9	Floor Roller Shaft	M120150
10	Leg Wheel Spring	M120151
11	Flanged Bearing	M130030
12	RH Fork Assembly	M110011
13	LH Fork Assembly	M110010
14	Fork Pin Handle	M130013
15	Fork Pin Bushing	M130015
16	Fork Pin Spring	M120136
17	Bolt Collar	M120135
18	3/8"-16NC x 5" Lg. Hex SHCS, PLTD	40389
19	3/8"-16NC Hex Nut, PLTD Grade 5	40659
20	Tie Bar	M120045
21	M12 Lock Washer	41595
22	M12 x 1.75 x 30mm Lg. HHCS Grade 8.8, PLTD	41684
23	Swivel Nut Elbow #6	M130028
24	9/16" Internal Tooth Lock Washer, PLTD	40998
25	Bulkhead Union Elbow #6	T140138
26	Cylinder Hydraulic Tube	M130009
27	Adapter	FJ7352-3
28	Velocity Fuse	M130016
29	Hydraulic Cylinder	M130001
		M130001H
		M130001Y
	Cylinder Seal Kit Used On M130001	M130033
	Cylinder Seal Kit Used On M130001H	M130089
	Cylinder Seal Kit Used On M130001Y	M130130
30	Roller	M130002
31	Carriage Slider	M130006
32	Slider	FC5905-4

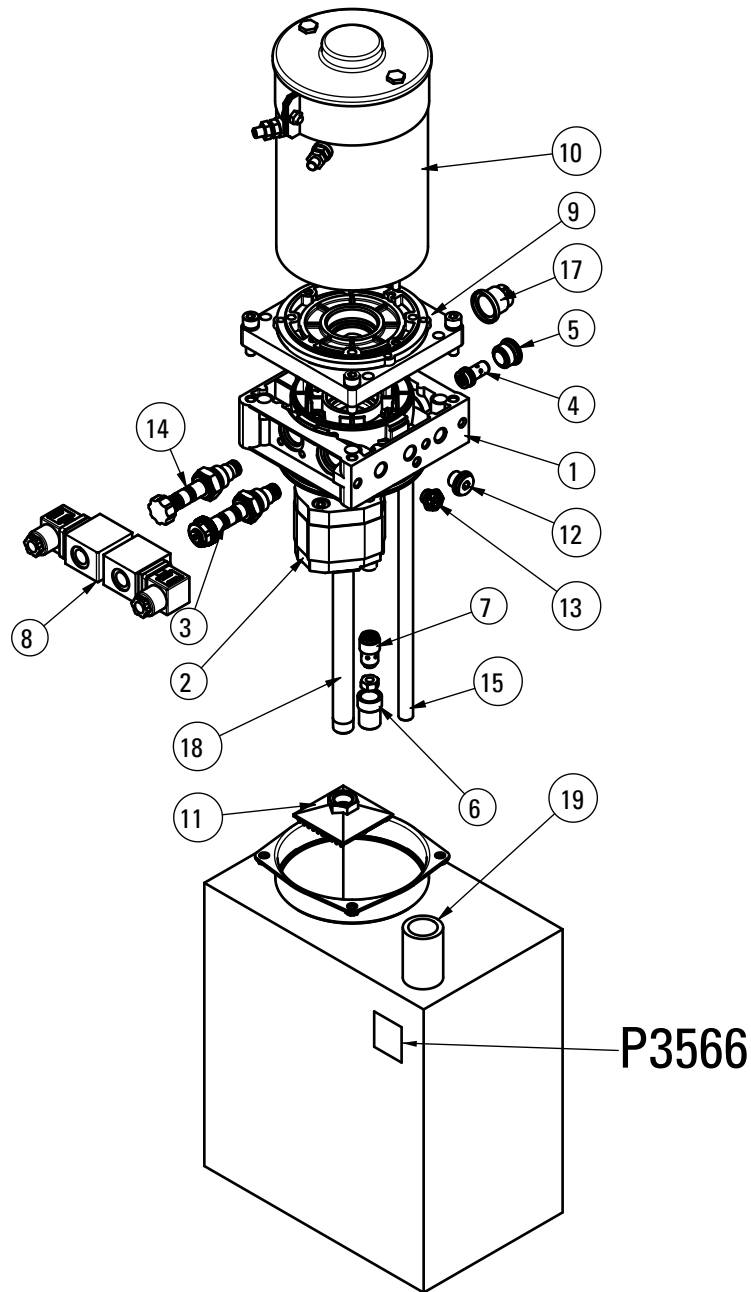


Item	Description	Part No.
1	24V Relay	FA7958-39
2	24V DC Power Unit	P3566
3	Power Unit Hose	M130029
4	String Pot Assembly	M110009
5	Latch Assembly	M110008

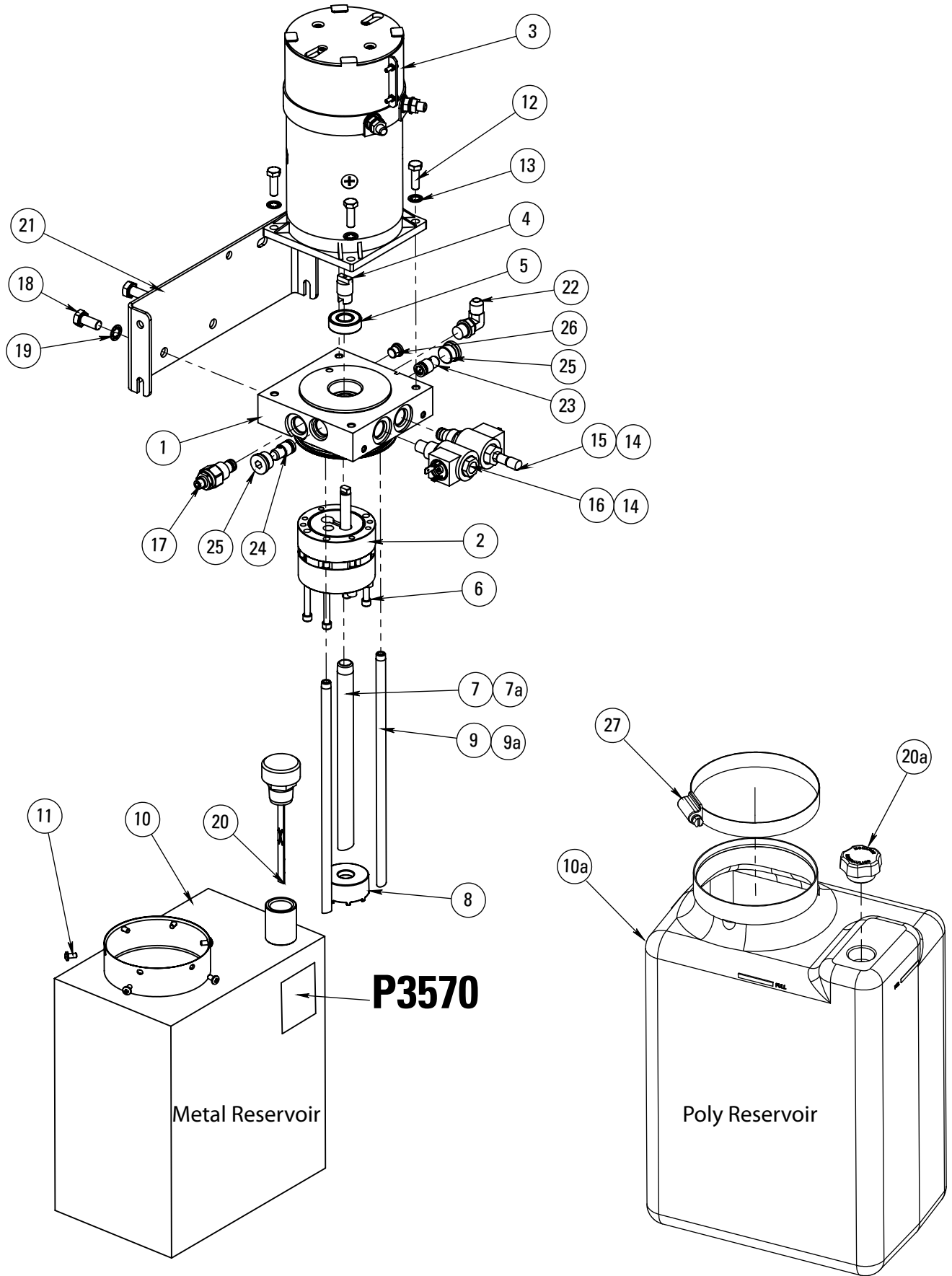


Item	Description	Part No.
1	Manifold	M130039
2	Pump	M130040
3	Solenoid Valve With Emergency Lowering	M130041
4	Small Flow Control Valve	M130042
5	Plug	M130043
6	Breakflow Adapter	M130044
7	Large Flow Control Valve	M130045
8	Coil	M130046
9	Driver Plate	M130047

10	Motor, 24vdc, 3kw	M130048
11	Suction Filter	M130049
12	Plug	M130050
13	Plug	M130051
14	Solenoid Valve	M130052
15	Return Pipe	M130053
16	NA	NA
17	Sealing Cap	M130054
18	Suction Pipe	M130055
19	Filler Breather Cap (Not Shown)	P3549-5



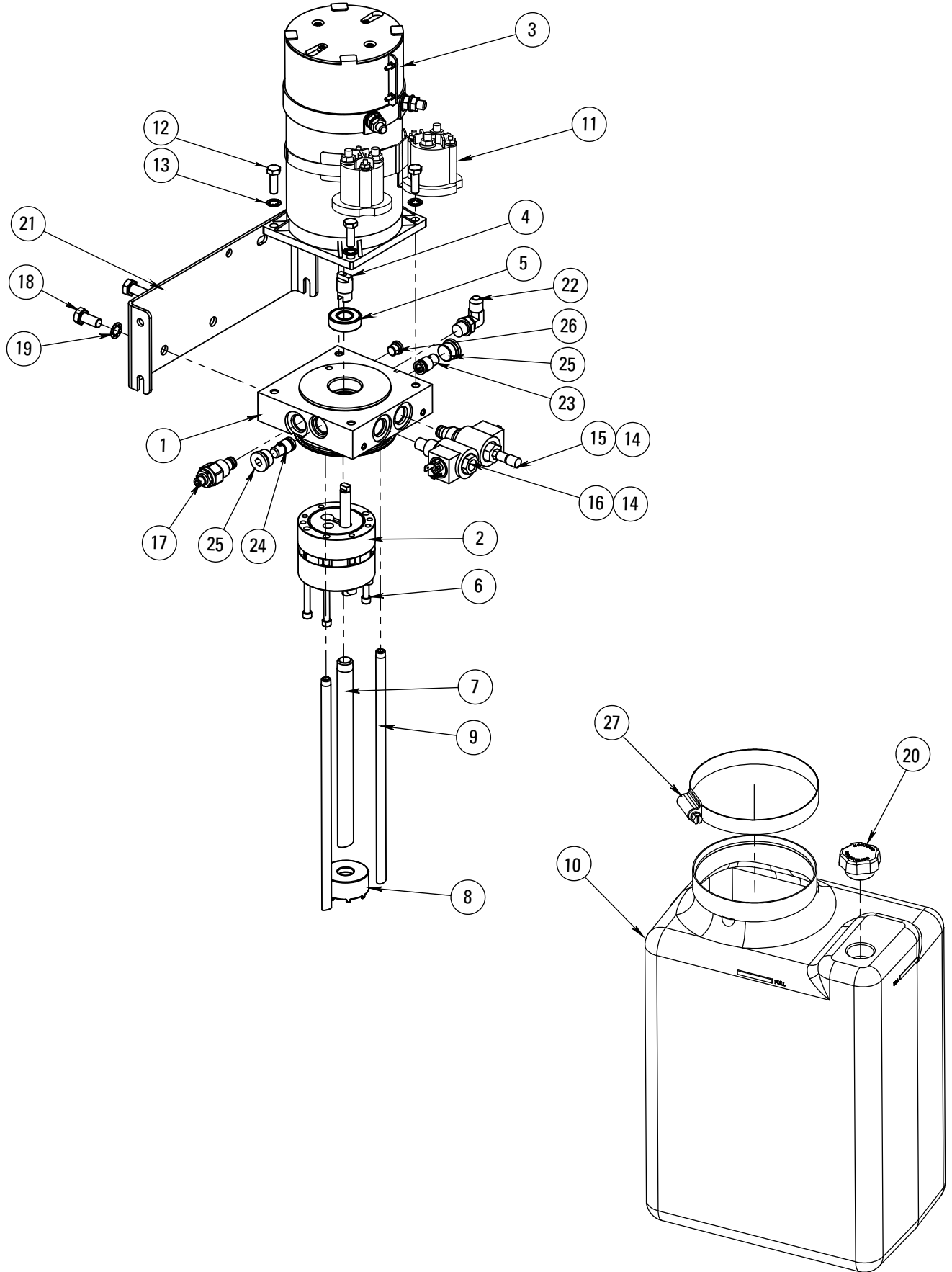
P3570 Power Unit



P3570 Power Unit

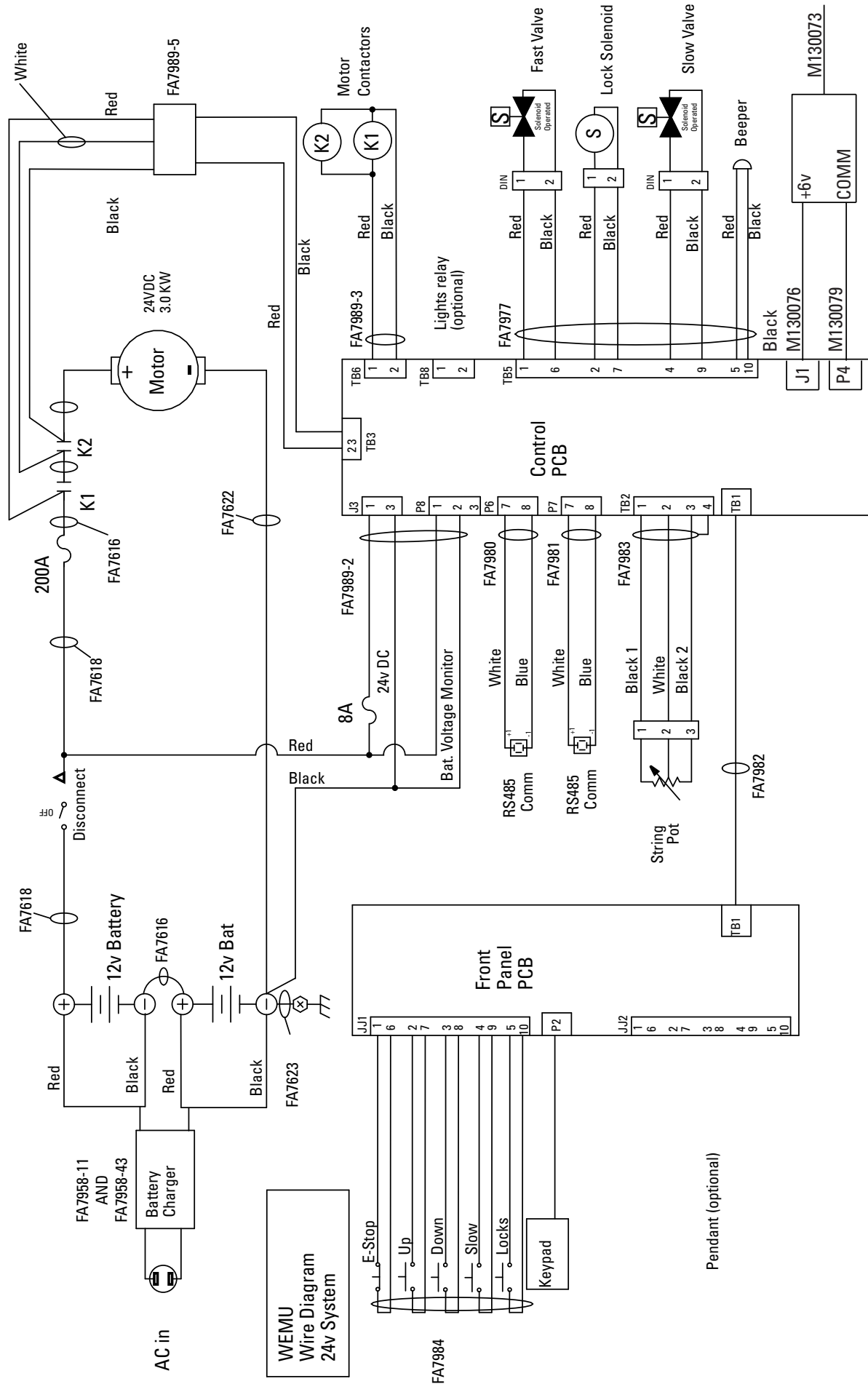
Item	Description	Part No.
1	Base Assy. M3519,MOD. (2) 2W/2P	P-3570-1
2	P Assy. QM MDLR, DC, BRGS BLD RSV	P-3570-2
3	MOTOR, DC, 24 VOLT 2 TERM	P-3570-3
4	SHAFT, INTERMEDIATE, MOD, SPCL DC	P-3570-4
5	BEARING, MOTOR TO BASE, M-SERIES	P-3570-5
6	SCREW, SHC, 1/4-20 x 3.0, BLK OX.	P-3570-6
7	TUBE, SUCT, STR, 3/8 NPT, NYLON	P-3570-7
7a	TUBE, SUCTION, POLY TANK	P3580-14
8	FILTER ASSY. SUCTION, SHROUD	P-3570-8
9	TUBE, RTN, STR, 1/8 NPT. NYLON	P-3570-9
9a	TUBE, RETURN	P3580-10
10	RESV, 6.38 x 10.06 x 11.06 V/MT - METAL RESERVOIR	P-3570-10
10a	POLY RESERVOIR	P3580-19
11	SCREW, SELF TAPPING, 10-24 3/8	P-3570-11
12	SCREW, H.H. CAP, M8-1.25 x 25	P-3570-12
13	WASHER, STAR LOCK, 5/16	P-3570-13
14	COIL, 24VDC, #8, HIRSCHMAN, LOW WT	P-3570-14
15	CARTRIDGE, 2W/2P, NC, POPPET, #8	P3580-7
16	CARTRIDGE, 2W/2P, NC, POPPET, 4000	P3580-8
17	VALVE, RELIEF, PILOT OP, 100-3000	P3580-3
18	SCREW, H.H. CAP, M10-1.50 x 22	P-3570-18
19	WASHER, INTERNAL TOOTH LOCK, 3/8	P-3570-19
20	PLUG, RESV, F/B, 3/4 NPTF, W/DIPSTK	P-3570-20
20a	BREATH-FILLER PLUG, POLY TANK	P3580-21
21	BRACKET, MTG PLT, 3.22 CNTR	P-3570-21
22	FITTING, ELBOW, 90 DEG, 37 DEG	P-3570-22
23	POPPET ASSY, P CMP FL, GPM .75	P-3570-23
24	POPPET ASSY, P CMP FL, GPM 1.5	P-3570-24
25	PLUG, SAE O-RING, 3/4-16, HEX SOC	P-3570-25
26	PLUG, SAE O-RING, 7/16-20 HEX, SO	P-3570-26
27	WORM CLAMP, POLY TANK	P3580-20

P3576 Power Unit



P3576 Power Unit

Item	Description	Part No.
1	Base Assy. M3519,MOD. (2) 2W/2P	P-3570-1
2	P Assy. QM MDLR, DC, BRGS BLD RSV	P-3570-2
3	MOTOR, DC, 24 VOLT 2 TERM	P-3570-3
4	SHAFT, INTERMEDIATE, MOD, SPCL DC	P-3570-4
5	BEARING, MOTOR TO BASE, M-SERIES	P-3570-5
6	SCREW, SHC, 1/4-20 x 3.0, BLK OX.	P-3570-6
7	TUBE, SUCTION, POLY TANK	P3580-14
8	FILTER ASSY. SUCTION, SHROUD	P-3570-8
9	TUBE, RETURN	P3580-10
10	POLY RESERVOIR	P3580-19
11	24V RELAY	M130090
12	SCREW, H.H. CAP, M8-1.25 x 25	P-3570-12
13	WASHER, STAR LOCK, 5/16	P-3570-13
14	COIL, 24VDC, #8, HIRSCHMAN, LOW WT	P-3570-14
15	CARTRIDGE, 2W/2P, NC, POPPET, #8	P3580-7
16	CARTRIDGE, 2W/2P, NC, POPPET, 4000	P3580-8
17	VALVE, RELIEF, PILOT OP, 100-3000	P3580-3
18	SCREW, H.H. CAP, M10-1.50 x 22	P-3570-18
19	WASHER, INTERNAL TOOTH LOCK, 3/8	P-3570-19
20	BREATHER-FILLER PLUG, POLY TANK	P3580-21
21	BRACKET, MTG PLT, 3.22 CNTR	P-3570-21
22	FITTING, ELBOW, 90 DEG, 37 DEG	P-3570-22
23	POPPET ASSY, P CMP FL, GPM .75	P-3570-23
24	POPPET ASSY, P CMP FL, GPM 1.5	P-3570-24
25	PLUG, SAE O-RING, 3/4-16, HEX SOC	P-3570-25
26	PLUG, SAE O-RING, 7/16-20 HEX, SO	P-3570-26
27	WORM CLAMP, POLY TANK	P3580-20



Installer: Please return this booklet to literature package, and give to lift owner/operator.

Thank You

Trained Operators and Regular Maintenance Ensures Satisfactory Performance of Your Rotary Lift.

Contact Your Nearest Authorized Rotary Parts Distributor for Genuine Rotary Replacement Parts. See Literature Package for Parts Breakdown.

Rotary World Headquarters

2700 Lanier Drive
Madison, IN 47250, USA
www.rotarylif.com

North America Contact Information

Tech. Support:
p 800.445.5438
f 800.578.5438
e userlink@rotarylif.com
Sales: p 800.640.5438
f 800.578.5438
e userlink@rotarylif.com

World Wide Contact Information

World Headquarters/USA: 1.812.273.1622
Canada: 1.905.812.9920
European Headquarters/Germany: +49.771.9233.0
United Kingdom: +44.178.747.7711
Australasia: +60.3.7660.0285
Latin America / Caribbean: +54.3488.431.608
Middle East / Northern Africa: +49.771.9233.0

© Vehicle Service GroupSM

Printed in U.S.A., All Rights Reserved. Unless otherwise indicated, ROTARY, and all other trademarks are property of Dover Corporation and its affiliates.

